

Electronic housing - UMK- BE 45 - 2970015

Please be informed that the data shown in this PDF Document is generated from our Online Catalog. Please find the complete data in the user's documentation. Our General Terms of Use for Downloads are valid (<http://download.phoenixcontact.com>)

Electronic board base, plug-in module base element



The illustration shows a combination of versions UMK SE 11,25, UMK BE 11,25, - 22,5, -45 and UMK-FE

Why buy this product

- The modules can be marked using the marking grooves in the lateral element as well as with the Phoenix Contact PMB module marker, which is snapped into a bore hole (4 mm Ø) in the PCB
- Fast assembly thanks to the plug-in module principle. The tight engagement of the individual elements ensures that they are securely connected.
- Wide range of options for external conductor connection
- The mounting flange supports direct wall mounting
- Due to the universal foot, the modules can be snapped onto standard EN DIN rails



Key commercial data

Packing unit	1
Minimum order quantity	10
Catalog page	Page 648 (CC-2011)
GTIN	 4 017918 087548
Custom tariff number	85472000
Country of origin	POLAND

Technical data

General

Housing type	Panel mounting base
Housing material	Polyamide
Color	green

Dimensions / positions

Length	77 mm
Width	45 mm

Electronic housing - UMK- BE 45 - 2970015

Technical data

Technical data

Ambient temperature (operation)	-40 °C ... 105 °C
Inflammability class according to UL 94	V2

Classifications

eclass

eCl@ss 4.0	27180401
eCl@ss 4.1	27180401
eCl@ss 5.0	27180506
eCl@ss 5.1	27180506
eCl@ss 6.0	27180802
eCl@ss 7.0	27182701

etim

ETIM 2.0	EC001031
ETIM 3.0	EC001031
ETIM 4.0	EC001031
ETIM 5.0	EC000721

unspsc

UNSPSC 6.01	31261501
UNSPSC 7.0901	31261501
UNSPSC 11	31261501
UNSPSC 12.01	31261501
UNSPSC 13.2	31261501

Approvals

Approvals

Approvals

UL Recognized


Ex Approvals

Approvals submitted

Approval details

Electronic housing - UMK- BE 45 - 2970015

Approvals

UL Recognized 

Accessories

Accessories

Assembly

Mounting flange - UMK-BF - 2976077



Mounting flange, for mounting directly on the wall

Electronic housing - UMK-BE 22,5 - 2970028

Electronic board base, plug-in module base element



Foot element - UMK-FE - 2970031

Foot element, for mounting on DIN rail NS 32 or DIN rail NS 35/7.5, can be inserted between base and side element



Electronic housing - UMK-BE 11,25 - 2971535

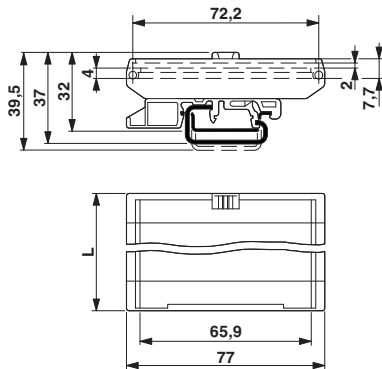
Electronic board base, plug-in module base element



Drawings

Electronic housing - UMK- BE 45 - 2970015

Dimensioned drawing



© Phoenix Contact 2012 - all rights reserved
<http://www.phoenixcontact.com>