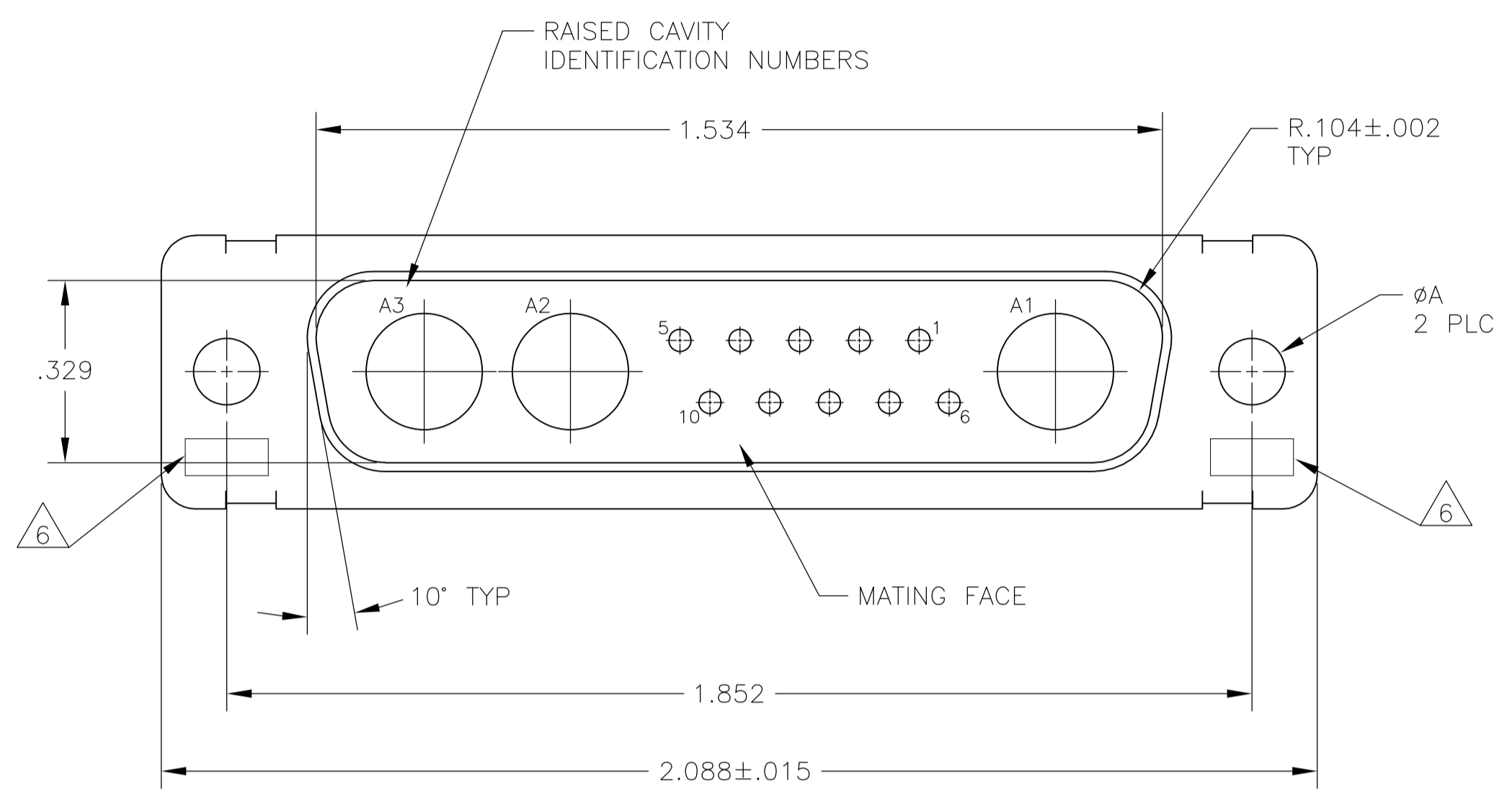
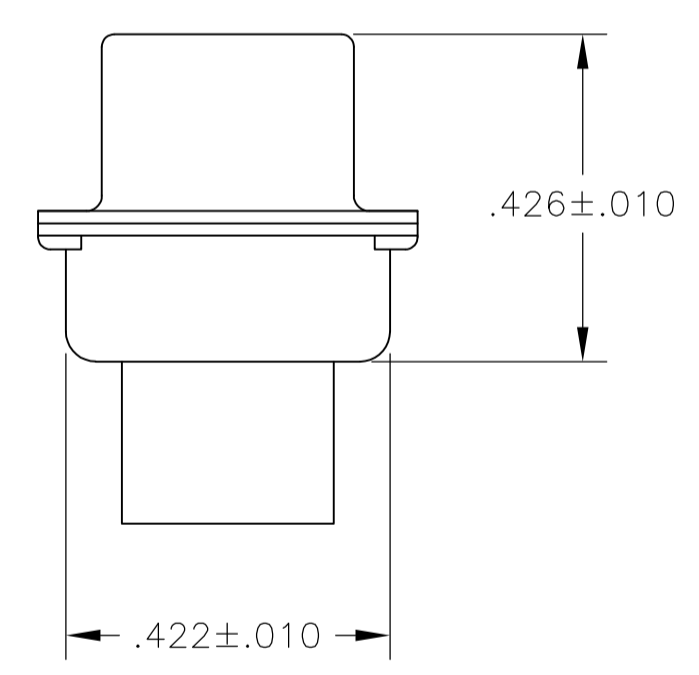
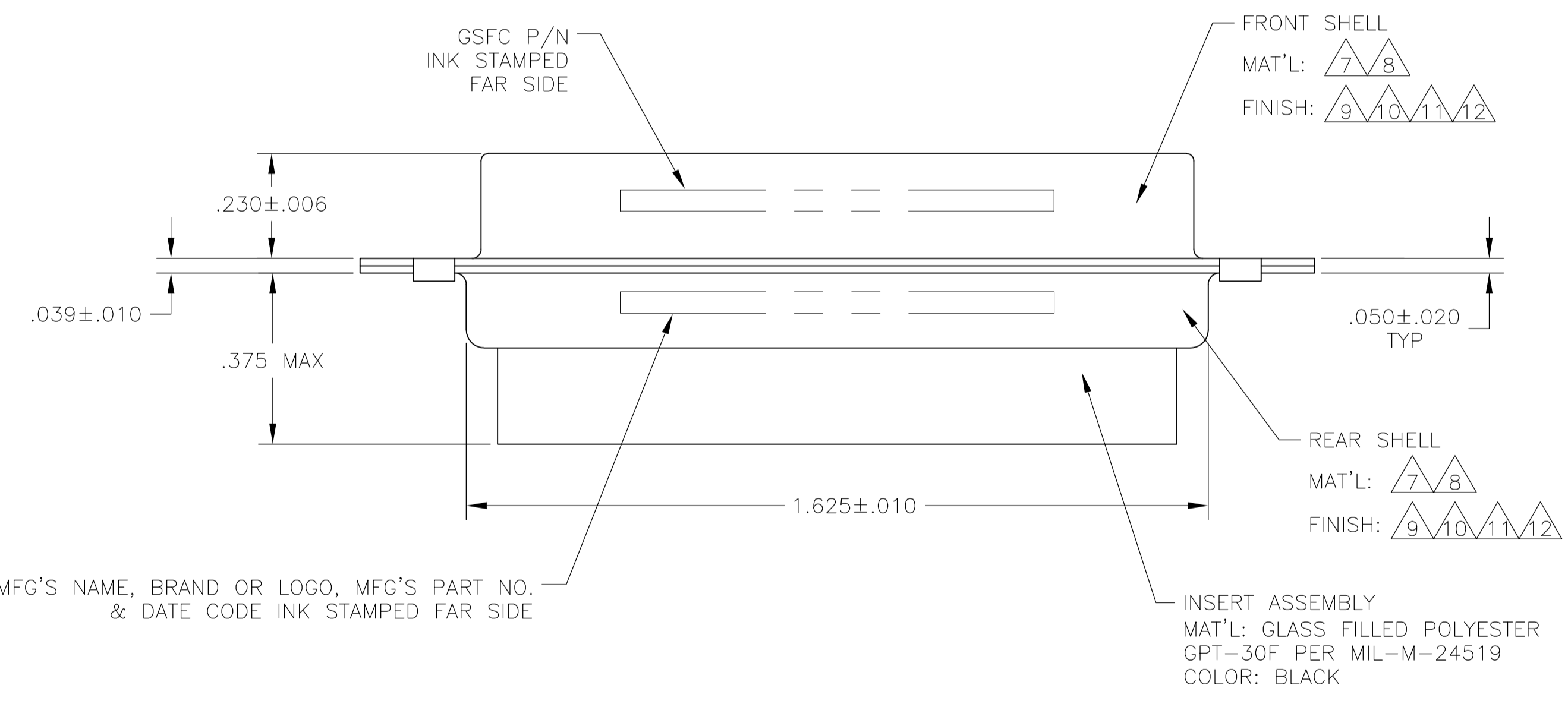


LOC		DIST		REVISIONS			
P	LTR	DESCRIPTION	DATE	DWN	APVD		
S		REVISED PER ECO-15-016251	13NOV15	KG	CD		



1. THIS PLUG WILL MATE WITH ANY 13C3, SIZE 3 RECEPTACLE IN AMPLIMITE SERIES.
 2. MAXIMUM WIRE INSULATION TO BE USED WITH THIS PLUG IS $\phi.068$.
 3. THIS CONNECTOR ACCEPTS (3) POWER 8, OR COAX PIN CONTACTS IN POSITIONS A1 THRU A3, PURCHASED SEPARATELY.
 4. THIS CONNECTOR ACCEPTS SIZE 20 PIN SIGNAL CONTACTS IN POSITIONS 1 THRU 10, PURCHASED SEPARATELY.
- $\triangle 5$ GROUNDING INDENTS FOR 208810-2 & 5-208810-2 ONLY (NOT SHOWN ON DRAWING).
 $\triangle 6$ UL/CSA DESIGNATION STAMPED IN THIS AREA, OPTIONAL.
 $\triangle 7$ STEEL PER ASTM-A-109.
 $\triangle 8$ BRASS PER MIL-C-50 AND ASTM-B-36 UNS NO. C26000.
 $\triangle 9$ FINISH: TIN PER ASTM-B-545 .000400 MIN THK OVER COPPER PER AMS2418 .000050 MIN THK.
 $\triangle 10$ CADMIUM PLATED PER QQ-P-416.
 $\triangle 11$ FINISH: GOLD PLATED PER MIL-G-45204 TYPE II, GRADE C, CLASS 1 OVER COPPER PER MIL-C-14550, CLASS IV.
 $\triangle 12$ FINISH: ZINC PLATE PER ASTM-B-633, .000200-.000400 THK WITH SUPPLEMENTARY CHROMATE (Cr3+)



$\triangle 5 \triangle 7 \triangle 9$.120	-	5-208810-2
$\triangle 7 \triangle 12$.120	-	5-208810-1
$\triangle 8 \triangle 11$.154	311P405-12P-B-15	208810-4
$\triangle 8 \triangle 11$.120	311P405-12P-B-12	208810-3
$\triangle 5 \triangle 7 \triangle 9$.120	-	208810-2
$\triangle 7 \triangle 10$.120	-	208810-1
REMARKS	ϕA	GSFC P/N	MFG'S PART NO.

THIS DRAWING IS A CONTROLLED DOCUMENT.

DIMENSIONS: INCHES	TOLERANCES UNLESS OTHERWISE SPECIFIED:	DIN C.C.THOMAS 04FEB88	APVD A.FMADI 09FEB88	NAME
0 PLC ± -	1 PLC ± -	2 PLC ± -	3 PLC ± .005(0.13)	4 PLC ANGLES ± $\phi 30'$
MATERIAL	FINISH	WEIGHT	SIZE	CAGE CODE
-	-	-	A1	00779

STE TE Connectivity
 PLUG ASSEMBLY
 AMPLIMITE 13C3
 SIZE 3, SERIES 109, COAX MIX
 SCALE 4:1 SHEET 1 OF 1 REV S