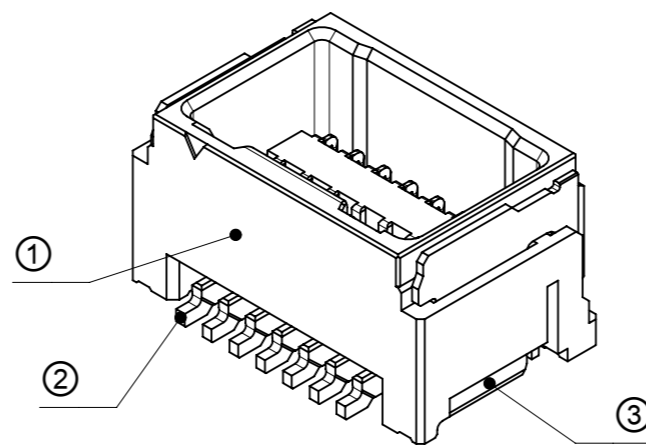
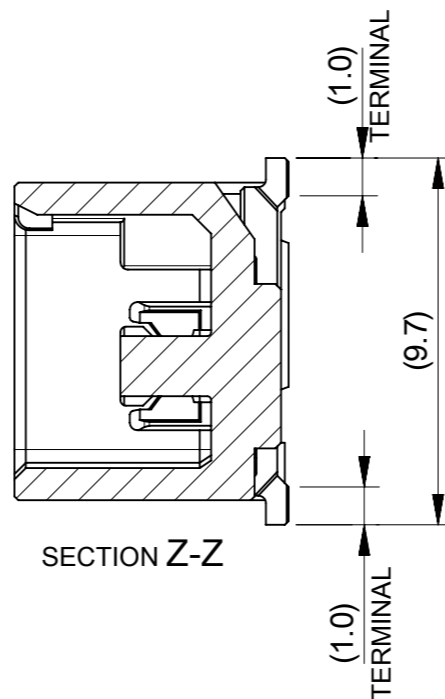
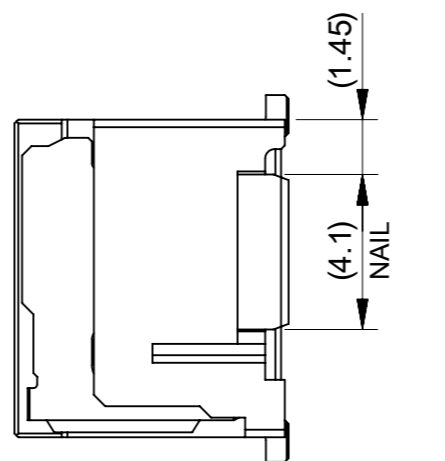
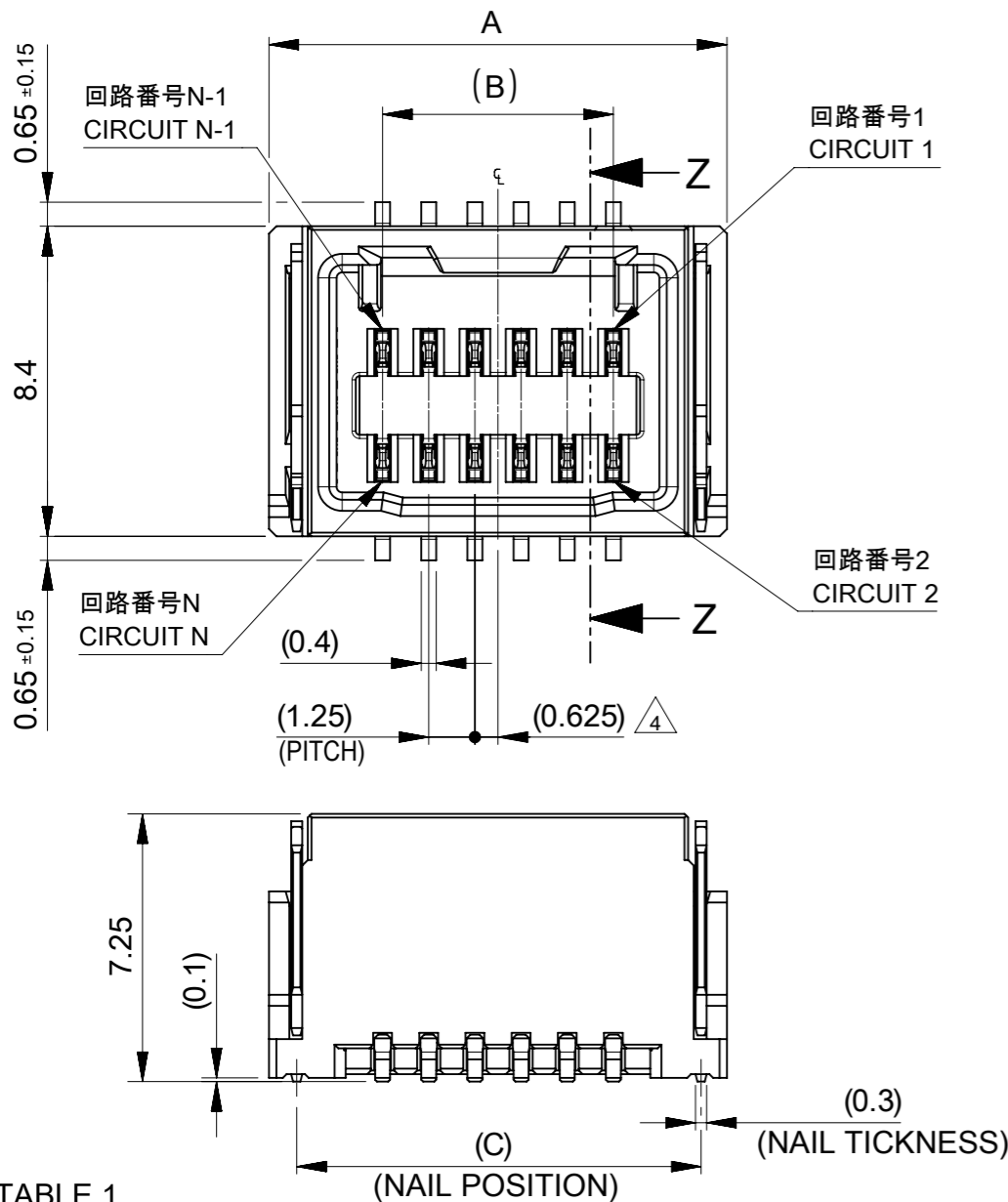


回路番号1マーク
CIRCUIT 1 MARK



注記：
NOTES：

- ① 材料及び仕上げ(めっき仕様)：TABLE 1, TABLE2 参照
MATERIAL AND FINISHES (PLATING SPECIFICATION)：SEE TABLE 1, TABLE2.
- ② 製品仕様書、コネクタ取扱説明書、適合嵌合相手、適合リテーナーはSHEET 5を
ご参照下さい。
PLEASE REFER TO SHEET 5 FOR PRODUCT SPECIFICATION,
APPLICATION SPECIFICATION, MATE WITH AND APPLICABLE RETAINER.
- 3. 端子テール部 及び ネイルの平坦度：0.12 MAXIMUM
TAIL AND NAIL COPLANARITY TO BE 0.12 MAXIMUM
- ④ 極数 / 2 = 偶数に適合
APPLY TO CIRCUIT SIZE / 2 = EVEN.
- ⑤ 発注番号：SHEET 5 参照
ORDER NUMBER：PLEASE REFER TO SHEET 5



207760****

番号 NO.	カバーテープ COVER TAPE	番号 NO.	ハウジングカラー HOUSING COLOR
7	無 WITHOUT	0	ナチュラル(白) NATURAL(WHITE)
8	有 WITH	1	黒 BLACK
		2	赤 RED
		3	黄 YELLOW
		4	青 BLUE

④ TABLE 1

番号 NO.	部品 PART	材質 MATERIAL	
①	ハウジング HOUSING	ポリアミド(PA) UL94V-0 色：SHEET 5参照 POLYAMIDE(PA) UL94V-0 COLOR：SEE SHEET 5	
②	ターミナル TERMINAL	黄銅 BRASS	
		接点部、テール部めっき CONTACT, TAIL PLATING	錫ビスマスめっき：1.0 MICROMETER MINIMUM TIN-BISMUTH PLATING
③	ネイル NAIL	黄銅 BRASS	
		テール部めっき TAIL PLATING	錫ビスマスめっき：1.0 MICROMETER MINIMUM TIN-BISMUTH PLATING
		下地めっき UNDER PLATING	ニッケルめっき：1.0 MICROMETER MINIMUM NICKEL PLATING (UNDER PLATING)

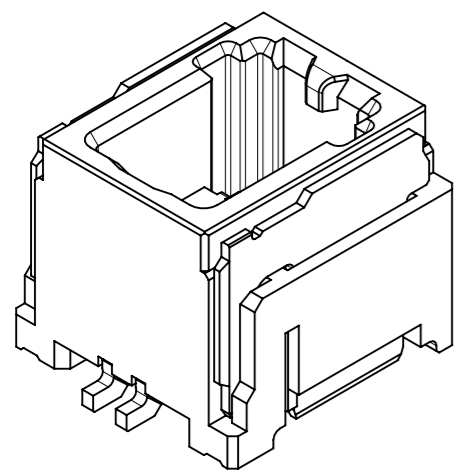
12.2	7.5	13.65	14
10.95	6.25	12.4	12
9.7	5	11.15	10
8.45	3.75	9.9	8
8.1	2.5	9.55	6
6.85	1.25	8.3	4
C	B	A	極数 CIRCUIT SIZE

THIS DRAWING CONTAINS INFORMATION THAT IS PROPRIETARY TO MOLEX ELECTRONIC TECHNOLOGIES, LLC AND SHOULD NOT BE USED WITHOUT WRITTEN PERMISSION

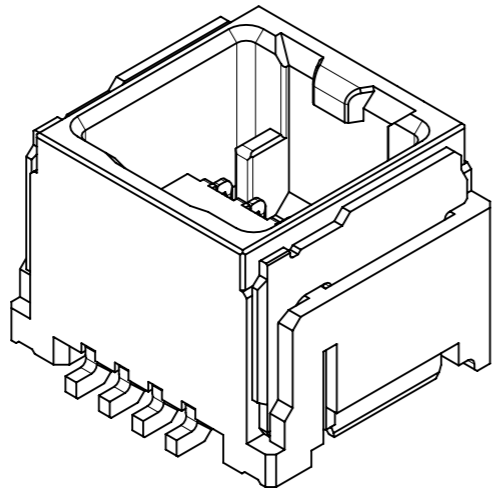
DIMENSION UNITS	SCALE	CURRENT REV DESC:	
mm	NTS		
GENERAL TOLERANCES (UNLESS SPECIFIED)		<p>molex</p> <p>MICRO-LOCK PLUS 1.25 W/B DUAL ROW VERTICAL SMT PLUG ASSEMBLY FOR POTTING</p> <p>PRODUCT CUSTOMER DRAWING</p>	
ANGULAR TOL	± 3.0 °		
4 PLACES	± 0.2		
3 PLACES	± 0.2		
2 PLACES	± 0.2		
1 PLACE	± 0.2	EC NO: 736271	2022/12/27
0 PLACES	± 0.2	DRWN: SOKUMURA01	2023/02/16
DRAFT WHERE APPLICABLE MUST REMAIN WITHIN DIMENSIONS		CHK'D: SAKIYAMA	2023/02/16
THIRD ANGLE PROJECTION		APPR: AIDA	2023/02/16
DRAWING	SERIES	INITIAL REVISION:	DOCUMENT NUMBER
A3-SIZE	207760	DRWN: TENAGASE	2077600000-SD
MATERIAL NUMBER		CUSTOMER	DOC TYPE DOC PART REVISION
SEE SHEET 5		GENERAL	PSD 000 C
SHEET NUMBER		1 OF 5	

製品形状
PRODUCT SHAPE

カラー & キー位置 (4, 6極)
COLOR & KEY POSITION (4,6 CIRCUIT)

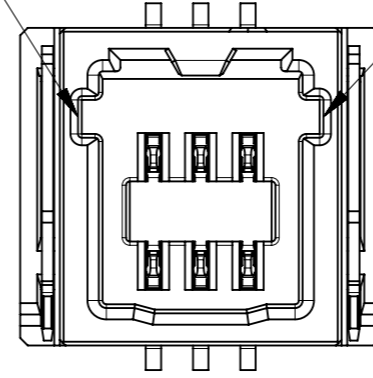


4-6極
4-6 CIRCUIT



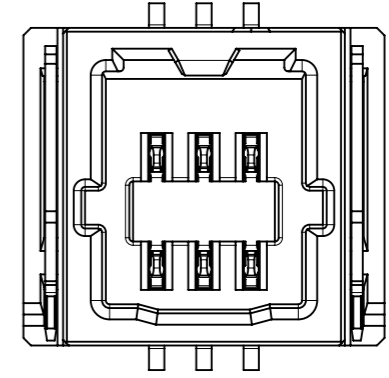
8-14極
8-14 CIRCUIT

極性キー
POLARIZATION
KEY

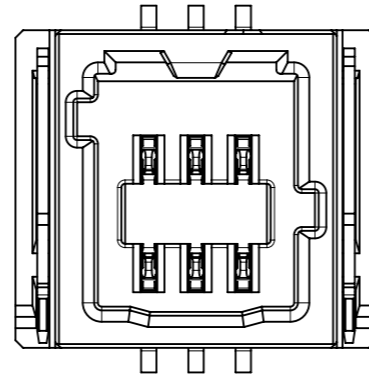


207760***0
ナチュラル(白)
NATURAL(WHITE)

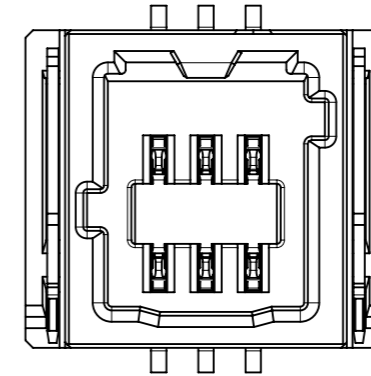
極性キー
POLARIZATION
KEY



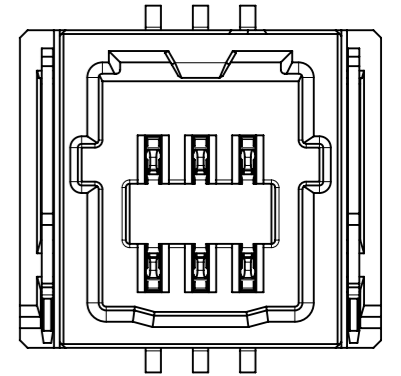
207760***1
黒
BLACK



207760***2
赤
RED

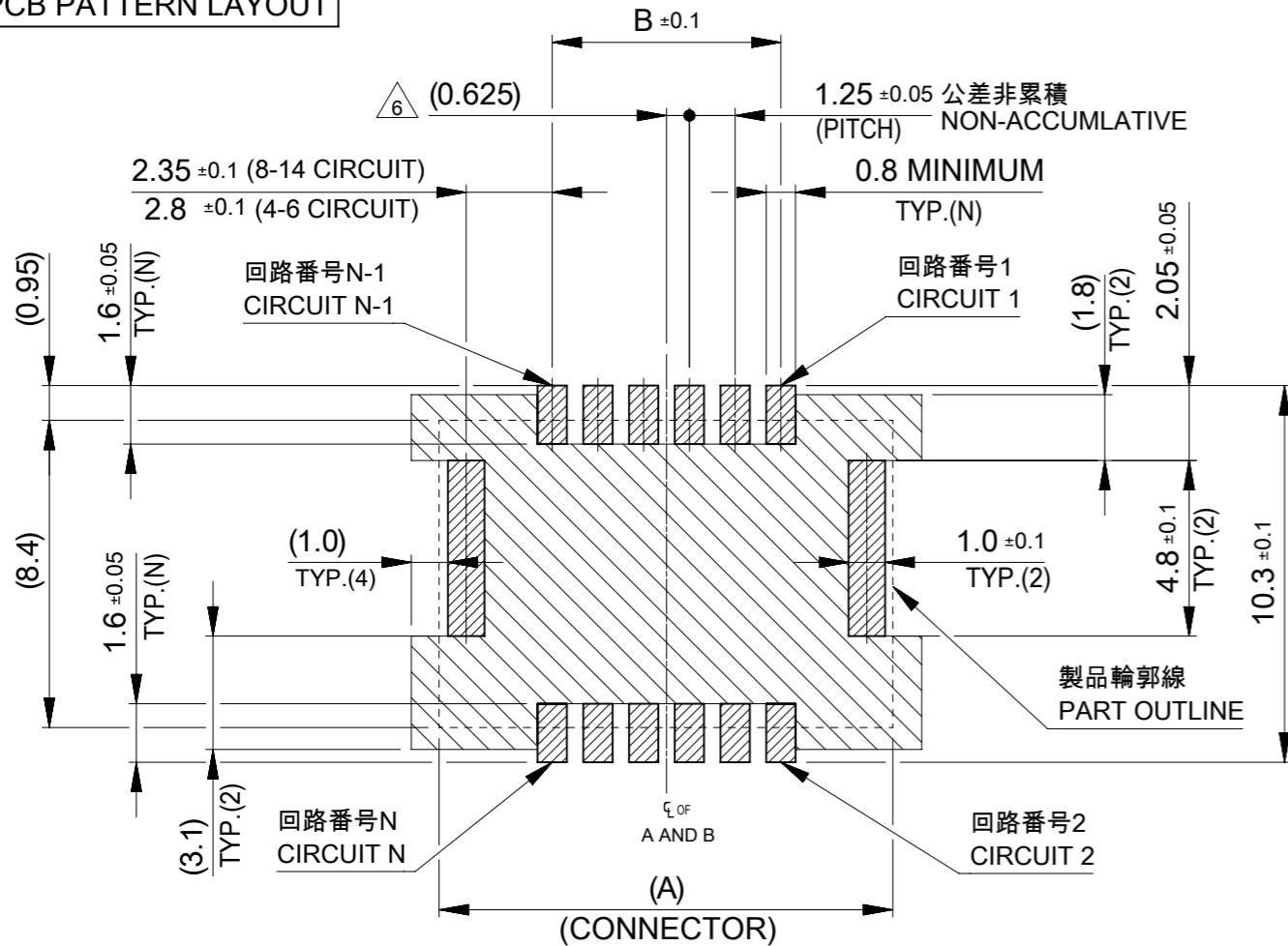


207760***3
黄
YELLOW



207760***4
青
BLUE

基板パターンレイアウト
PCB PATTERN LAYOUT



基板パターンレイアウト (参考)
(参考: 基板厚 1.6mm, メタルマスク厚さ 0.15mm, マスク開口率 100%)
RECOMMEND PCB LAYOUT : COMPONENT SIDE
(REFERENCE : PCB THICKNESS 1.6mm, STENCIL THICKNESS 0.15mm, APERTURE RATIO 100%)

パターン禁止エリア
RESTRICTED AREA
NO PCB COMPONENTS ALLOWED

DIMENSION UNITS		SCALE		CURRENT REV DESC.	
mm		NTS			
GENERAL TOLERANCES (UNLESS SPECIFIED)					
ANGULAR TOL ± 3.0°					
4 PLACES	± 0.2	EC NO: 736271			
3 PLACES	± 0.2	DRWN: SOKUMURA01	2022/12/27		
2 PLACES	± 0.2	CHK'D: SAKIYAMA	2023/02/16		
1 PLACE	± 0.2	APPR: AIDA	2023/02/16		
0 PLACES	± 0.2	INITIAL REVISION:			
DRAFT WHERE APPLICABLE MUST REMAIN WITHIN DIMENSIONS		DRWN: TENAGASE	2019/05/31		
THIRD ANGLE PROJECTION		APPR: KOMURAKAMI	2020/01/16		
DRAWING		SERIES	MATERIAL NUMBER	CUSTOMER	SHEET NUMBER
A3-SIZE		207760	SEE SHEET 5	GENERAL	2 OF 5

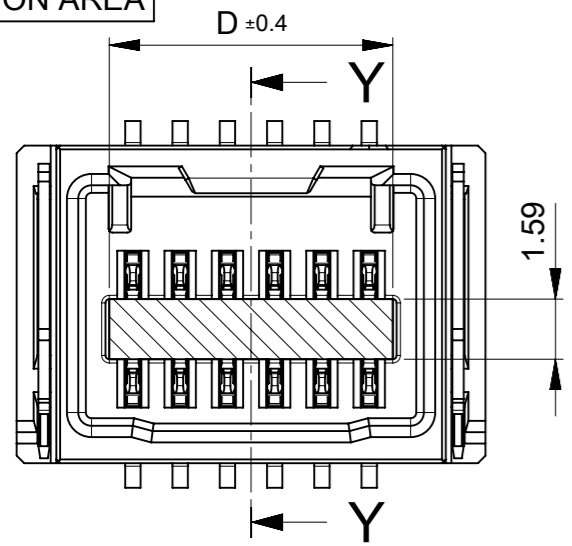
molex

MICRO-LOCK PLUS 1.25 W/B
DUAL ROW VERTICAL SMT PLUG ASSEMBLY
FOR POTTING

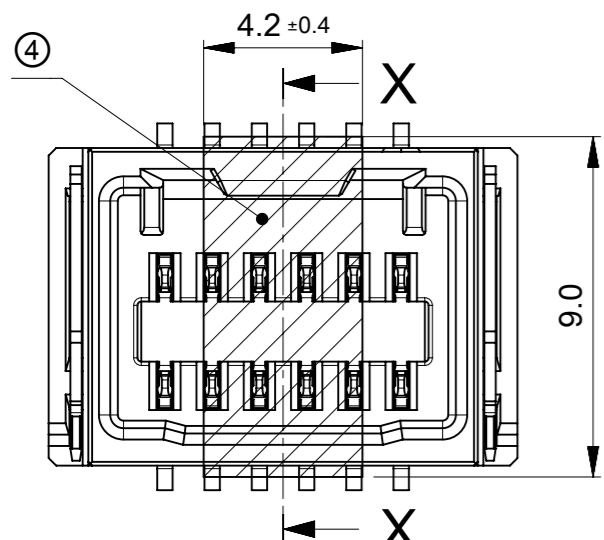
PRODUCT CUSTOMER DRAWING

DOCUMENT NUMBER: 2077600000-SD
DOC TYPE: PSD
DOC PART: 000
REVISION: C

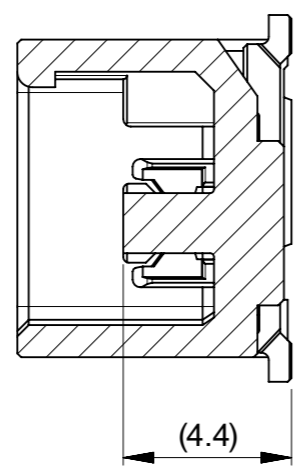
吸着エリア
SUCTION AREA



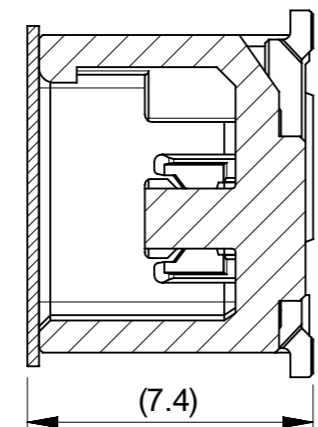
カバーテープ無
WITHOUT COVER TAPE
207760 **7*



カバーテープ有
WITH COVER TAPE
207760 **8*

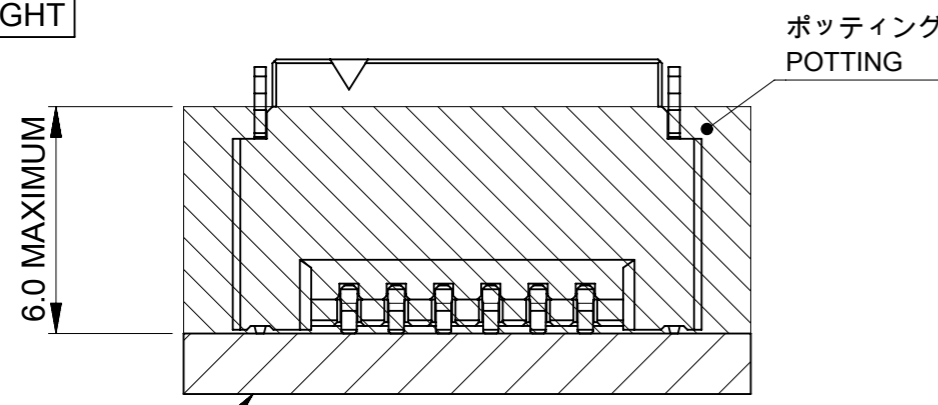


SECTION Y-Y
吸着高さ
SUCTION HEIGHT

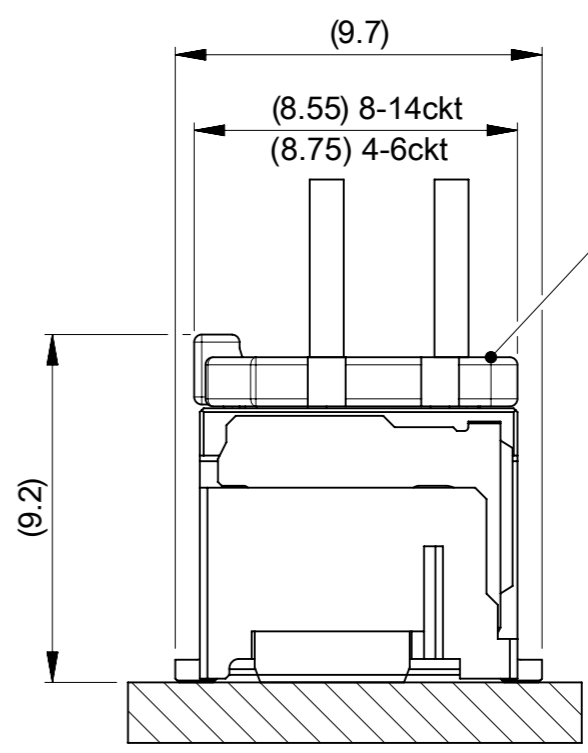
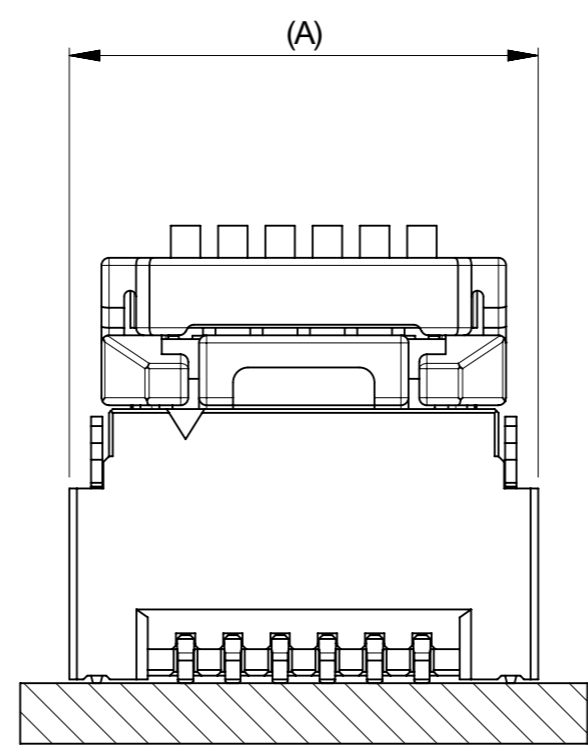
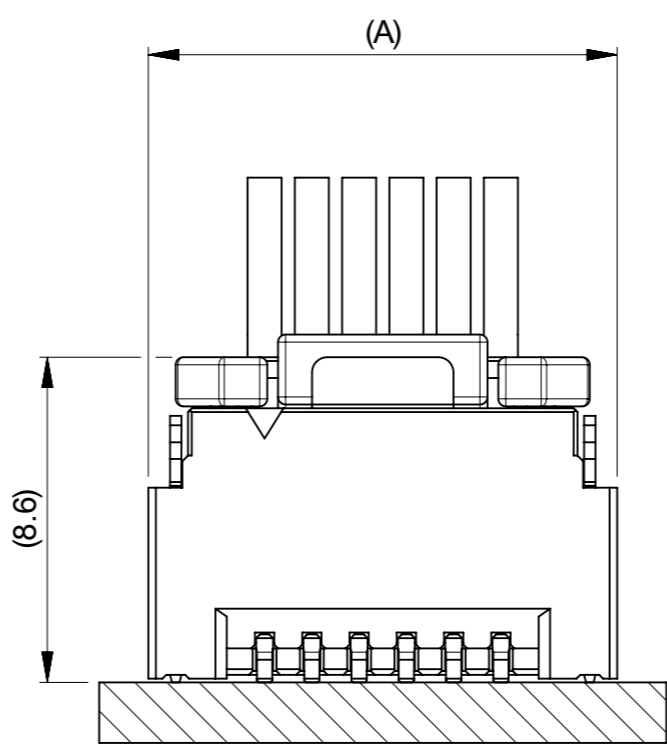


SECTION X-X
カバーテープ高さ
COVER TAPE HEIGHT

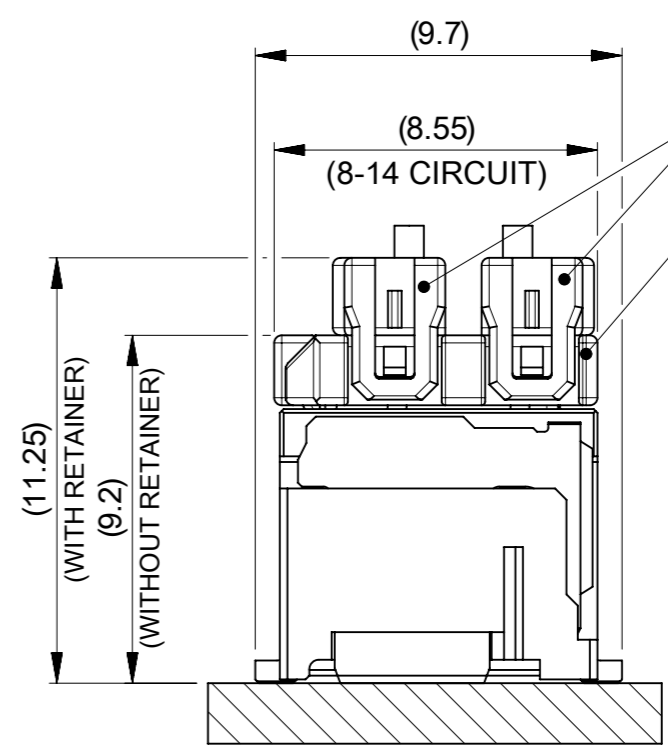
ポッティング高さ
POTTING HEIGHT



嵌合状態図
MATED CONNECTORS



嵌合相手 : 204523シリーズ
MATE WITH : 204523 SERIES



リテーナー : 214528シリーズ
RETAINER : 214528 SERIES
嵌合相手 : 214527シリーズ
MATE WITH : 214527 SERIES

8.75	14	無 WITHOUT
7.5	12	
6.25	10	
5	8	
3.75	6	
2.5	4	
D	極数 CIRCUIT SIZE	カバーテープ COVER TAPE

TABLE2

番号 NO.	部品 PART	材質 MATERIAL
④	カバーテープ COVER TAPE	ポリイミド POLYIMIDE

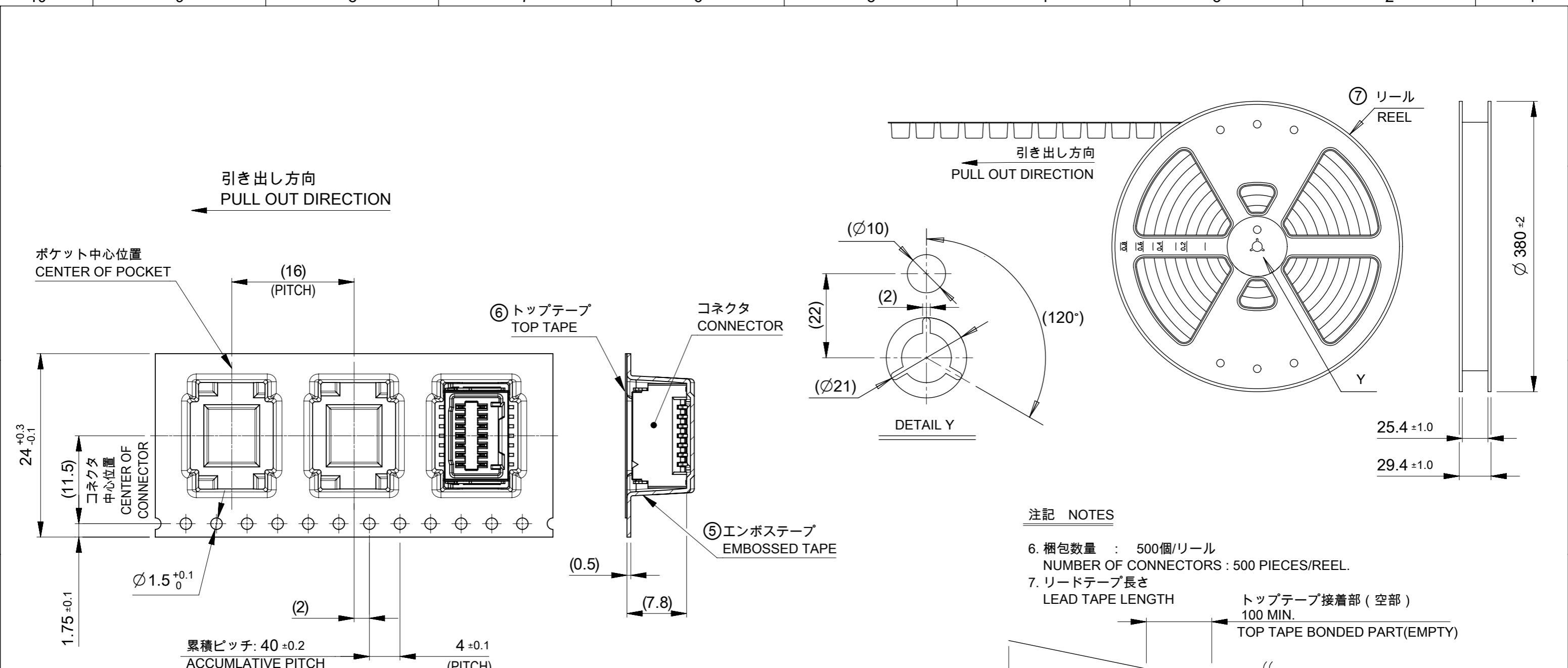
DOCUMENT STATUS P1 RELEASE DATE 2023/02/16 15:22:35

THIS DRAWING CONTAINS INFORMATION THAT IS PROPRIETARY TO MOLEX ELECTRONIC TECHNOLOGIES, LLC AND SHOULD NOT BE USED WITHOUT WRITTEN PERMISSION

DIMENSION UNITS mm	SCALE NTS	CURRENT REV DESC:	
GENERAL TOLERANCES (UNLESS SPECIFIED)		EC NO: 736271	
ANGULAR TOL ± 3.0 °	4 PLACES ± 0.2	DRWN: SOKUMURA01	2022/12/27
3 PLACES ± 0.2	2 PLACES ± 0.2	CHK'D: SAKIYAMA	2023/02/16
1 PLACE ± 0.2	0 PLACES ± 0.2	APPR: AIDA	2023/02/16
DRAFT WHERE APPLICABLE MUST REMAIN WITHIN DIMENSIONS		INITIAL REVISION: DRWN: TENAGASE APPR: KOMURAKAMI	
THIRD ANGLE PROJECTION	DRAWING A3-SIZE	SERIES 207760	2019/05/31
MATERIAL NUMBER SEE SHEET 5		CUSTOMER GENERAL	2020/01/16
DOCUMENT NUMBER 2077600000-SD		DOC TYPE PSD	DOC PART 000
SHEET NUMBER 3 OF 5		REVISION C	

molex
MICRO-LOCK PLUS 1.25 W/B
DUAL ROW VERTICAL SMT PLUG ASSEMBLY
FOR POTTING

PRODUCT CUSTOMER DRAWING



注記 NOTES

- 6. 梱包数量 : 500個/リール
NUMBER OF CONNECTORS : 500 PIECES/REEL.
- 7. リードテープ長さ
LEAD TAPE LENGTH
トップテープ接着部 (空部) 100 MIN.
TOP TAPE BONDED PART (EMPTY)
- 8. トップテープの剥離強度については、IEC60286-3に準拠
TOP TAPE PEELING FORCE IS DEFINED BY IEC60286-3.

TABLE 3

番号 NO.	部品 PART	材質 MATERIAL
⑤	エンボステープ EMBOSSSED TAPE	ポリスチレン(PS) POLYSTYRENE(PS)
⑥	トップテープ TOP TAPE	ポリエチレン(PE)、その他 POLYETHYLENE(PE), etc
⑦	リール REEL	ポリスチレン(PS) <リサイクル材を含む> POLYSTYRENE(PS) < RECYCLE MATERIAL CONTAINED >

DOCUMENT STATUS | P1 | RELEASE DATE | 2023/02/16 15:22:35

THIS DRAWING CONTAINS INFORMATION THAT IS PROPRIETARY TO MOLEX ELECTRONIC TECHNOLOGIES, LLC AND SHOULD NOT BE USED WITHOUT WRITTEN PERMISSION

DIMENSION UNITS mm	SCALE NTS	CURRENT REV DESC.			
GENERAL TOLERANCES (UNLESS SPECIFIED)					
ANGULAR TOL	± 3.0 °	EC NO: 736271	PRODUCT CUSTOMER DRAWING		
4 PLACES	± 0.2	DRWN: SOKUMURA01	2022/12/27	DOCUMENT NUMBER	
3 PLACES	± 0.2	CHK'D: SAKIYAMA	2023/02/16	2077600000-SD	DOC TYPE
2 PLACES	± 0.2	APPR: AIDA	2023/02/16	PSD	DOC PART
1 PLACE	± 0.2	INITIAL REVISION:		000	REVISION
0 PLACES	± 0.2	DRWN: TENAGASE	2019/05/31	C	
DRAFT WHERE APPLICABLE MUST REMAIN WITHIN DIMENSIONS		APPR: KOMURAKAMI	2020/01/16	SHEET NUMBER	
THIRD ANGLE PROJECTION		DRAWING	SERIES	MATERIAL NUMBER	CUSTOMER
		A3-SIZE	207760	SEE SHEET 5	GENERAL
					4 OF 5

△ 2 適合製品及び各種仕様書 APPLICABLE PRODUCTS AND VARIOUS SPECIFICATIONS

梱包仕様書 PACKAGING SPECIFICATION		2077609200-SPK PS 200	
適合嵌合相手 MATE WITH	シリーズ番号 SERIES NUMBER	204523	214527
	リテーナー対応 RETAINER APPLICABLE	NOT COMPLIANT	COMPLIANT (NATURAL, BLACK)
適合リテーナーシリーズ番号 APPLICABLE RETAINER SERIES NUMBER		-	214528
製品仕様書 PRODUCT SPECIFICATION		2045230001-PS PS 000	2145270001-PS PS 000
コネクタ取扱説明書 APPLICATION SPECIFICATION		5054320000-AS PS 000	

△ 5 207760**** 発注番号一覧 ORDER NUMBER LIST

NOT COMPLIANT			COMPLIANT		LOW HALOGEN	
BLUE	YELLOW	RED	BLACK	NATURAL (WHITE)	HOUSING COLOR	
---	---	---	2077601481	2077601480	14	
---	---	---	2077601281	2077601280	12	
---	---	---	2077601081	2077601080	10	
---	---	---	2077600881	2077600880	8	
2077600684	2077600683	2077600682	2077600681	2077600680	6	
2077600484	2077600483	2077600482	2077600481	2077600480	4	
---	---	---	2077601471	2077601470	14	
---	---	---	2077601271	2077601270	12	
---	---	---	2077601071	2077601070	10	
---	---	---	2077600871	2077600870	8	
2077600674	2077600673	2077600672	2077600671	2077600670	6	
2077600474	2077600473	2077600472	2077600471	2077600470	4	
発注番号 ORDER NUMBER					極数 CIRCUIT SIZE	カバーテープ COVER TAPE
梱包形態 PACKAGING STYLE エンボステープ、リール EMBOSSED TAPE AND REEL						

THIS DRAWING CONTAINS INFORMATION THAT IS PROPRIETARY TO MOLEX ELECTRONIC TECHNOLOGIES, LLC AND SHOULD NOT BE USED WITHOUT WRITTEN PERMISSION

DIMENSION UNITS mm	SCALE NTS	CURRENT REV DESC:		molex		
GENERAL TOLERANCES (UNLESS SPECIFIED)		EC NO: 736271				
ANGULAR TOL ± 3.0 °	4 PLACES ± 0.2	DRWN: SOKUMURA01 2022/12/27		PRODUCT CUSTOMER DRAWING		
3 PLACES ± 0.2	3 PLACES ± 0.2	CHK'D: SAKIYAMA 2023/02/16		DOCUMENT NUMBER		
2 PLACES ± 0.2	2 PLACES ± 0.2	APPR: AIDA 2023/02/16		2077600000-SD		
1 PLACE ± 0.2	1 PLACE ± 0.2	INITIAL REVISION:		DOC TYPE	DOC PART	REVISION
0 PLACES ± 0.2	0 PLACES ± 0.2	DRWN: TENAGASE 2019/05/31		PSD	000	C
DRAFT WHERE APPLICABLE MUST REMAIN WITHIN DIMENSIONS		THIRD ANGLE PROJECTION	DRAWING	SERIES	MATERIAL NUMBER	CUSTOMER
			A3-SIZE	207760	SEE CHART	GENERAL
						SHEET NUMBER 5 OF 5