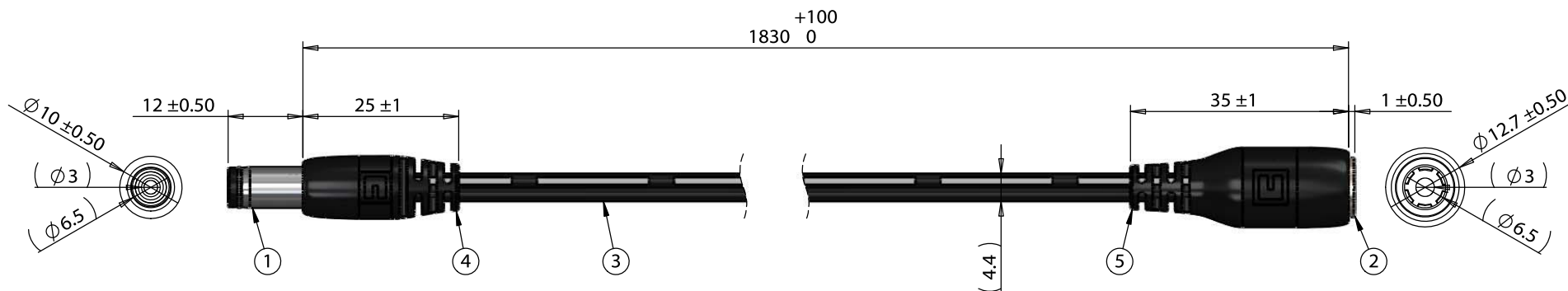


ITEM NO.	PART NUMBER	DESCRIPTION	QTY.	COMPONENT NOTES
1	50-00090	Connector, dc plug, 6.5x3.0x24 mm, molding style	1	
2	50-00091	Connector, dc jack, 6.5x3.0xL19.7 mm, molding style	1	
3	30-00395	Wire, 2C TS, 18 AWG, UL2468, 300V, 80C, 4.4 mm, VW-1, PVC, 87A	1	
4	24-00258	Overmold, 6.5 plug, PVC	1	black
5	24-00233	Overmold, 6.5x3.0 dc jack, PVC	1	black



**Notes:**  
Functionally equivalent components may be substituted

Wiring Diagram		
50-00090	wire color	50-00091
center	black with stripe	center
sleeve	black	sleeve

Revision:	Date:	Description:	Prepared:	Notes:	<h1>TENSILITY</h1> <p>tel 1.541.323.3228 800 877.670.7118 fax 1.541.323.4202 web tensility.com</p>
A	01/23/2018	Initial release	GL <small>Digitally signed by GL Date: 2018.01.23 16:21:50 -08'00'</small>		
			Verified:	Function test: no open, no short circuit, no intermittent	Size: Part number:
			AW <small>Digitally signed by AW Date: 2018.02.14 08:39:33 -08'00'</small>	Description:	A 10-02528
			Dimensions are in millimeters. Tolerances: X: ± 0.5 mm X.X: ± 0.3 mm X.XX: ± 0.05 mm	Cable, 1830 mm, 6.5x3.0x12 mm 50-00090 dc plug to 6.5x3.0 mm 50-00091 dc jack, 18 AWG, UL2468	Scale: 1:1
					Sheet 1 of 1

5

4

3

2

1