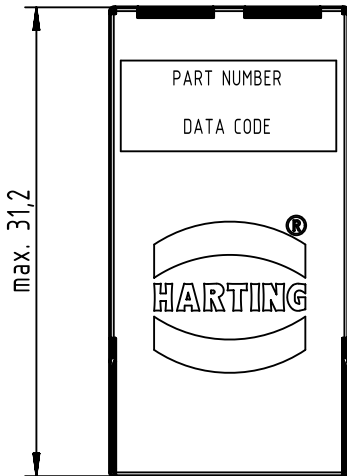
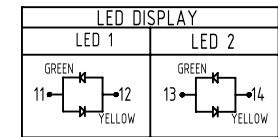
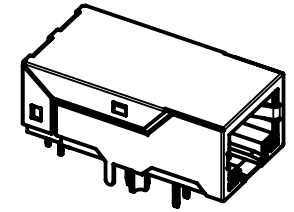
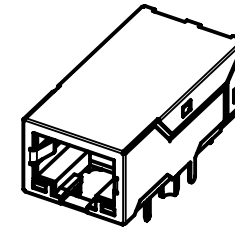
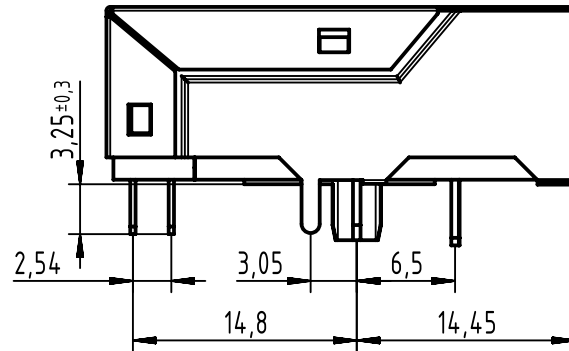


Mating face
acc. to IEC 60603-7



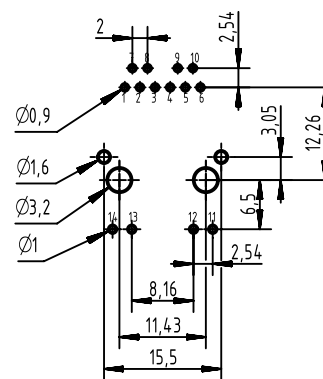
max. 31,2

Material:
Housing material: POLYESTER or HIGH Temp UL94V-0
Shield material: 0.25mm THICKNESS BRASS Plating Nickel
Contact material: Phosphor Bronze T=0.30mm
Plating contact: gold plating over nickel

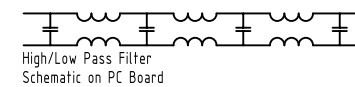
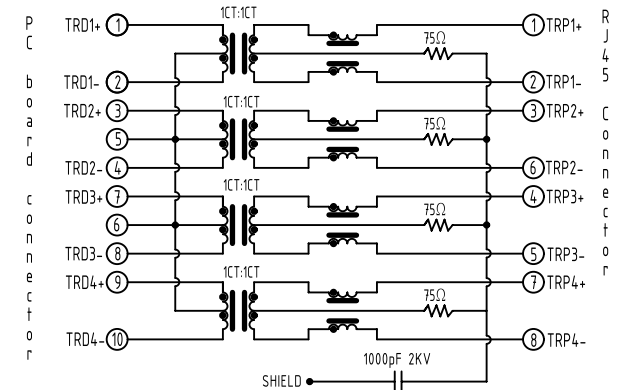
Technical data:
In accordance with IEEE 802.3u & TIA 1096A
For 10/100/1000 base transmission over UTP-5 cable
Storage: -40°C to 85°C
Operation: -25°C to 70°C
Operating lifetime: 750 cycles min

Packaging:
56 pieces per tray and 13 trays per carton

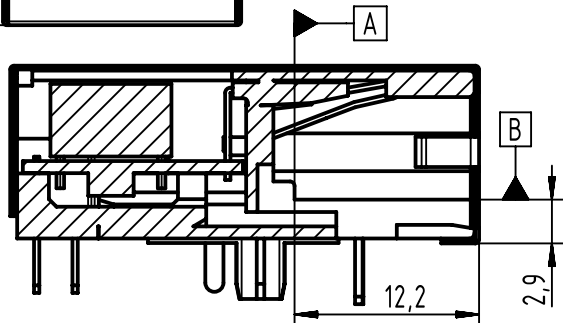
PCB LAYOUT



Schematic



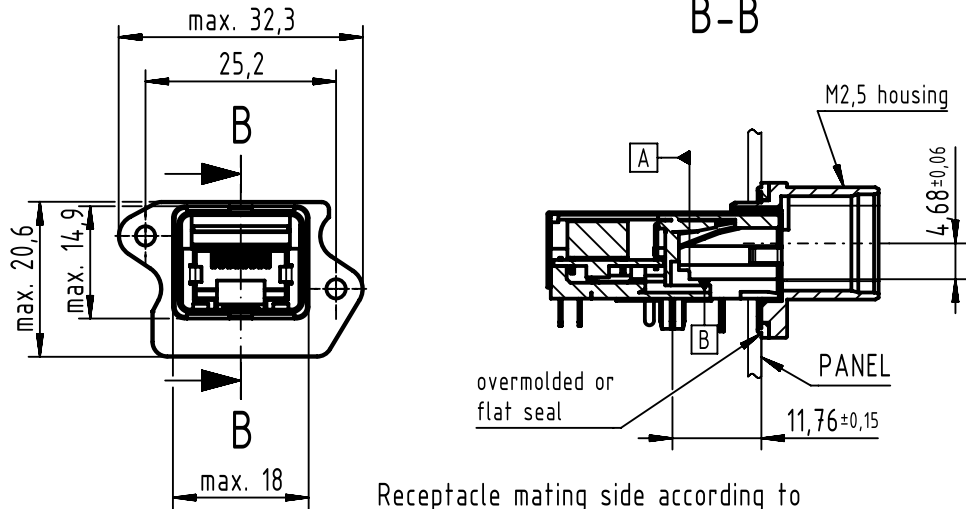
A-A



	All Dimensions in mm Original Size DIN A4	Scale 2:1	Free size tol.		Ref.
	All rights reserved Department EC PD - RO	Created by TAMAS	Inspected by AVRAM	Standardisation HOFFMANN	Date 2016-02-18
HARTING Electronics GmbH D-32339 Espelkamp		Title RJ45 jack 1Gbit LV biLEDs LV			State Final Release
		Type TB	Number 09455511542		Doc-Key / ECM-Nr. 100656790/UGD/001/A 500000100319
					Rev. A
					Page 1/4

MOUNTING INSTRUCTIONS FOR HARTING PUSHPULL
COMPACT RECEPTACLE HOUSING

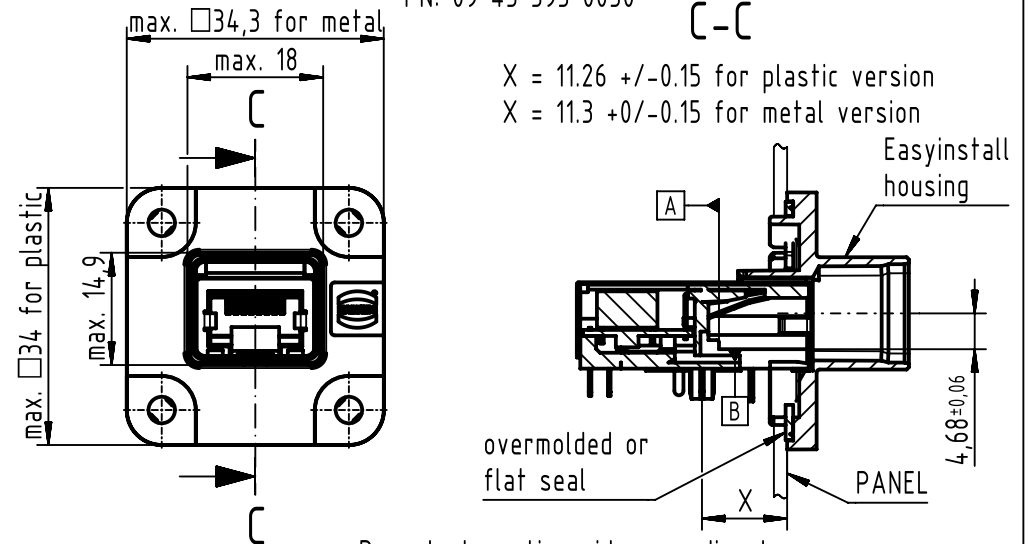
PN: 09 45 545 0023
PN: 09 45 545 0033



Receptacle mating side according to
IEC 61076-3-106 variant 4

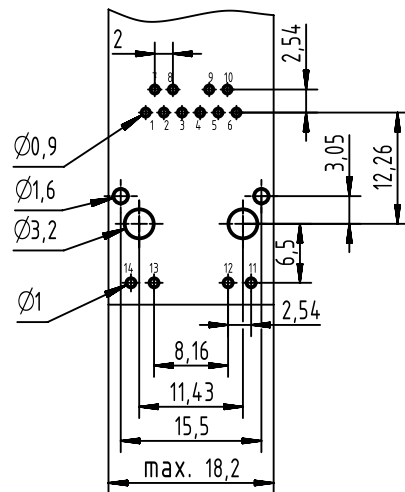
MOUNTING INSTRUCTIONS FOR HARTING PUSHPULL
EASYINSTALL RECEPTACLE HOUSINGS

PN: 09 45 545 0030
PN: 09 45 595 0030



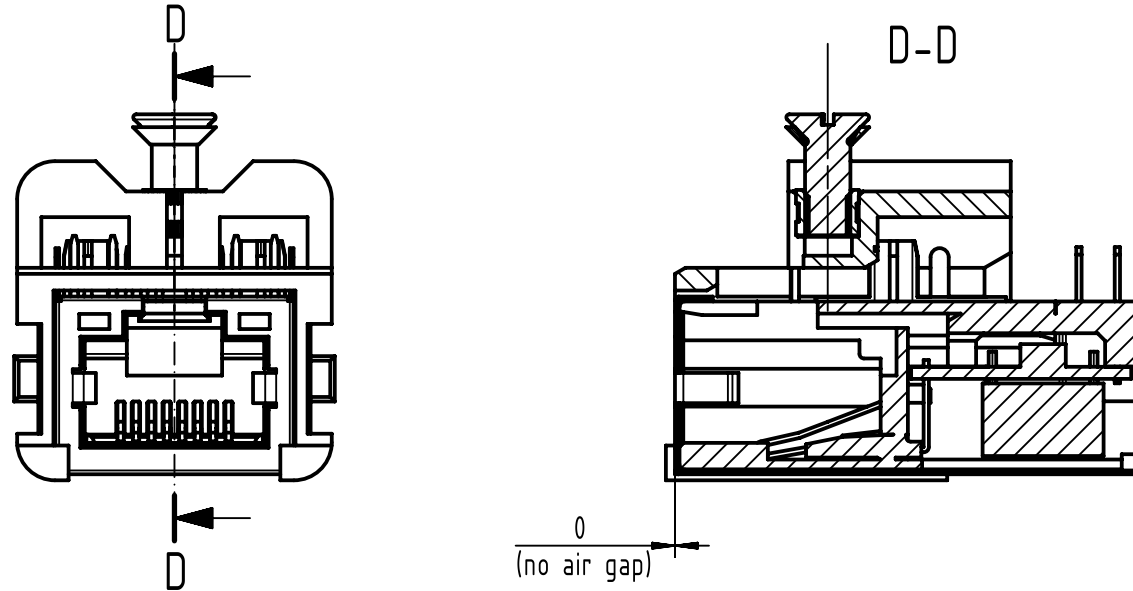
Receptacle mating side according to
IEC 61076-3-106 variant 4

PCB LAYOUT



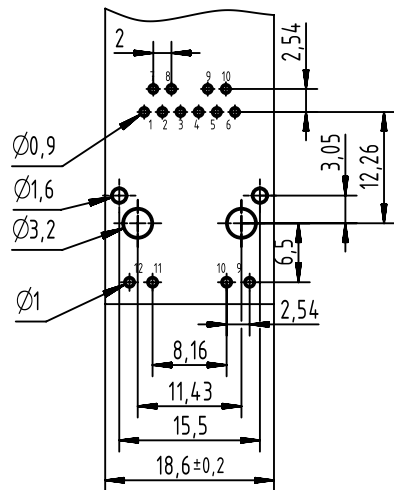
	All rights reserved Department EC PD - RO HARTING Electronics GmbH D-32339 Espelkamp	All Dimensions in mm Original Size DIN A4			Scale 1:1	Free size tol.	Ref. Sub.
		Created by TAMAS	Inspected by AVRAM	Standardisation HOFFMANN	Date 2016-02-18	State Final Release	Doc-Key / ECM-Nr. 100656790/UGD/001/A 500000100319
Title RJ45 jack 1Gbit LV biLEDs LV		Type TB	Number 09455511542	Rev. A	Page 2/4		

MOUNTING INSTRUCTION FOR HAN 3A RJ45 HOUSING
 WITH HAN 3A ADAPTER WITHOUT FIXING CLIPS
 09 45 515 0022



Receptacle mating side according to
 IEC 61076-3-106 variant 5

PCB LAYOUT

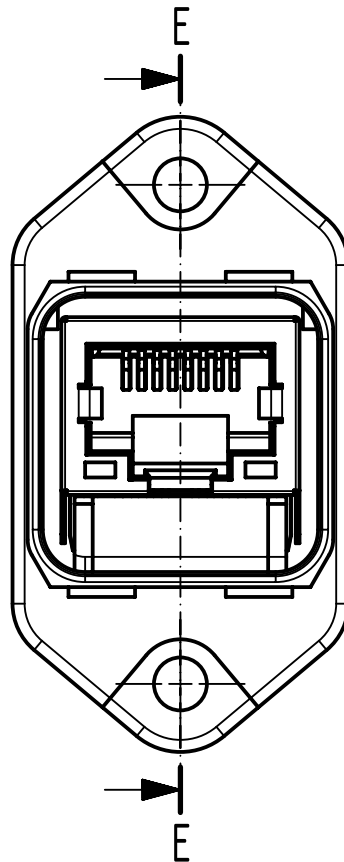


PCB thickness: 1.6mm +/-0.1

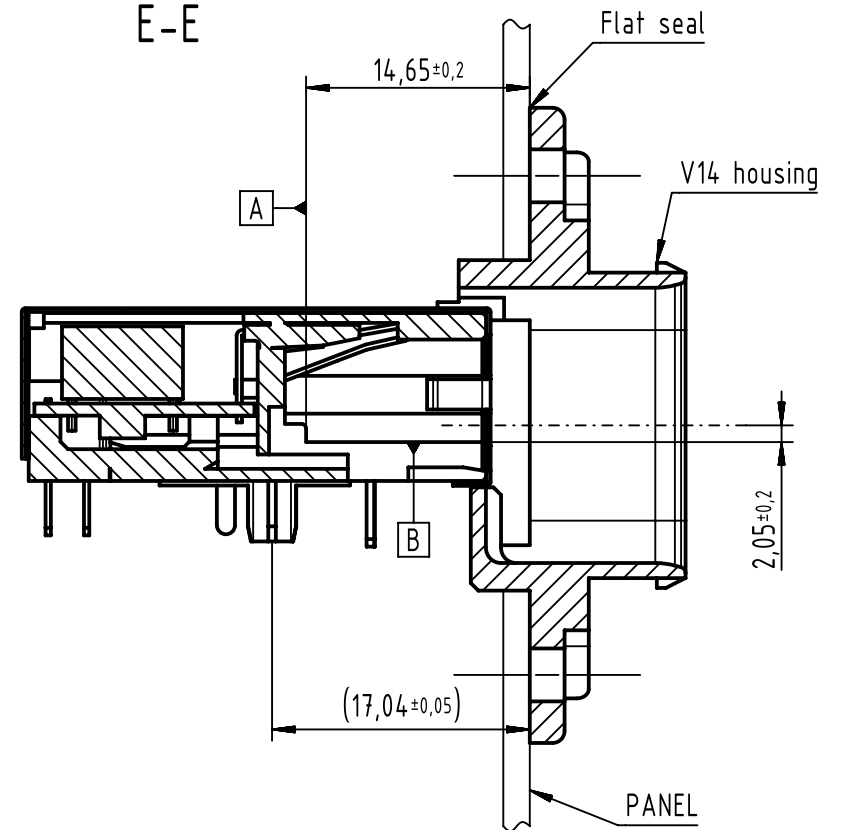
	All rights reserved Department EC PD - RO	All Dimensions in mm Original Size DIN A4		Scale 2:1	Free size tol.	Ref. Sub.	
		Created by TAMAS	Inspected by AVRAM	Standardisation HOFFMANN	Date 2016-02-18	State Final Release	
HARTING Electronics GmbH D-32339 Espelkamp		Title RJ45 jack 1Gbit LV biLEDs LV				Doc-Key / ECM-Nr. 100656790/UGD/001/A 500000100319	
		Type TB	Number 09455511542			Rev. A	Page 3/4

MOUNTING INSTRUCTION FOR HAN PUSHPULL RJ45 HOUSING
09 35 002 0301

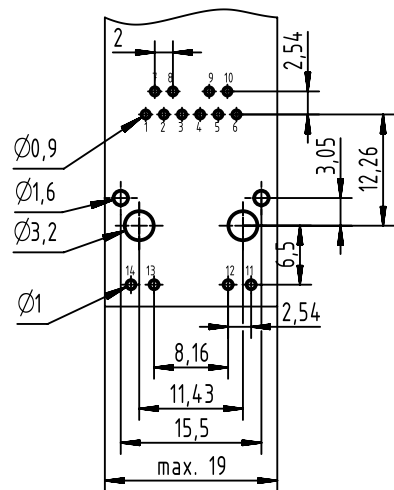
Receptacle mating side according to
DIN EN 61076-3-117




E-E



PCB LAYOUT



	All rights reserved Department EC PD - RO	All Dimensions in mm Original Size DIN A4		Scale 2:1	Free size tol.	Ref.	
		Created by TAMAS	Inspected by AVRAM	Standardisation HOFFMANN	Date 2016-02-18	State Final Release	Sub.
HARTING Electronics GmbH D-32339 Espelkamp		Title RJ45 jack 1Gbit LV biLEDs LV				Doc-Key / ECM-Nr. 100656790/UGD/001/A 500000100319	
		Type TB	Number 09455511542		Rev. A	Page 4/4	