

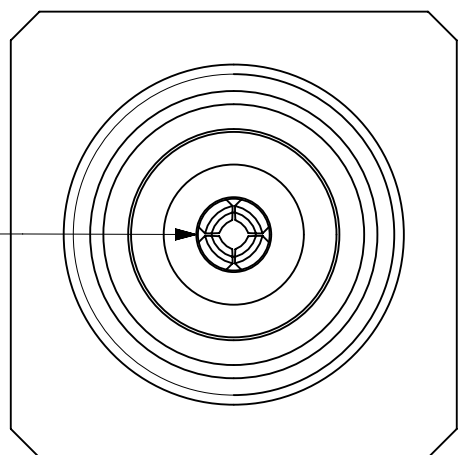
MATERIALS & FINISHES:

BODY: BRASS
PLATING SEE TABLE

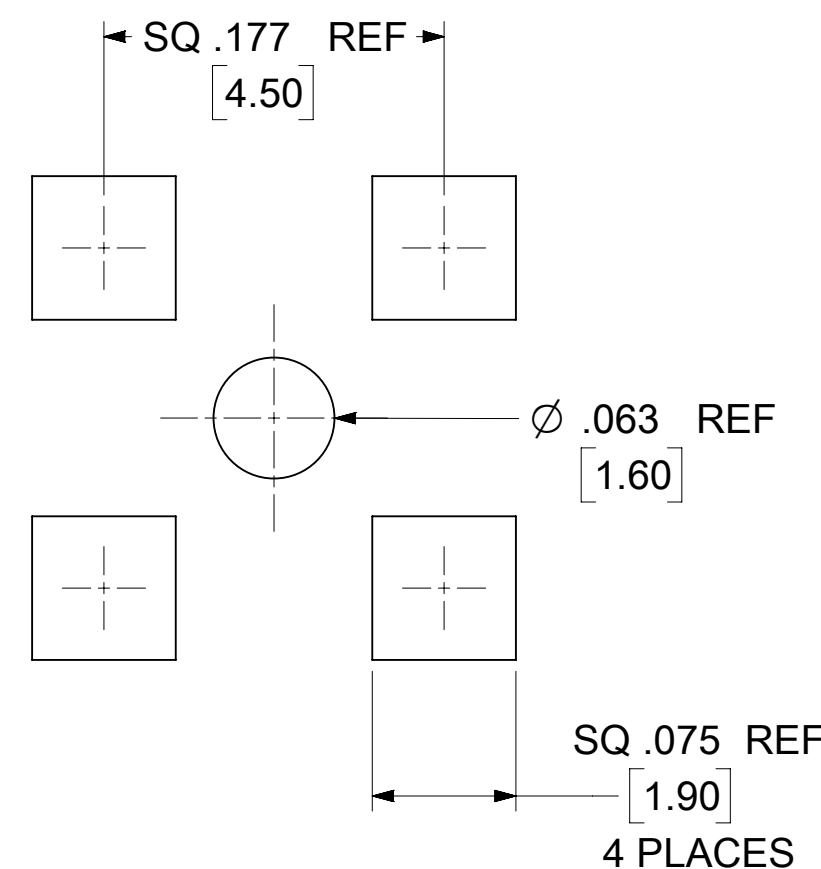
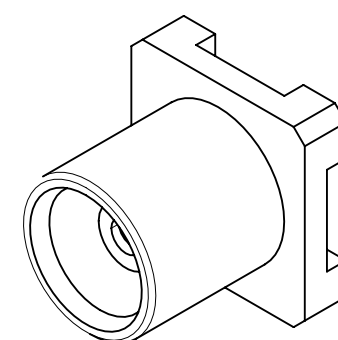
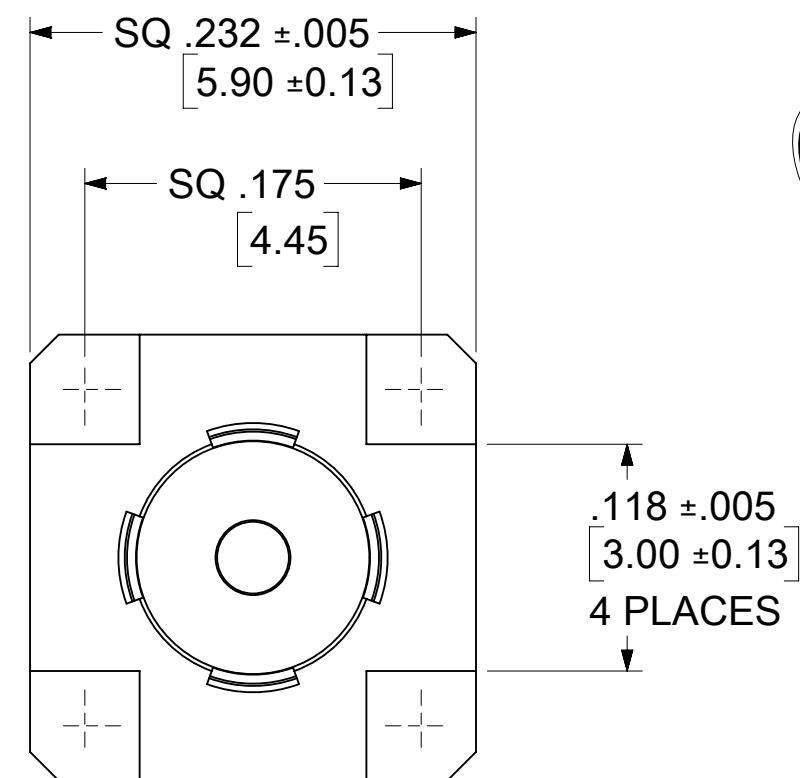
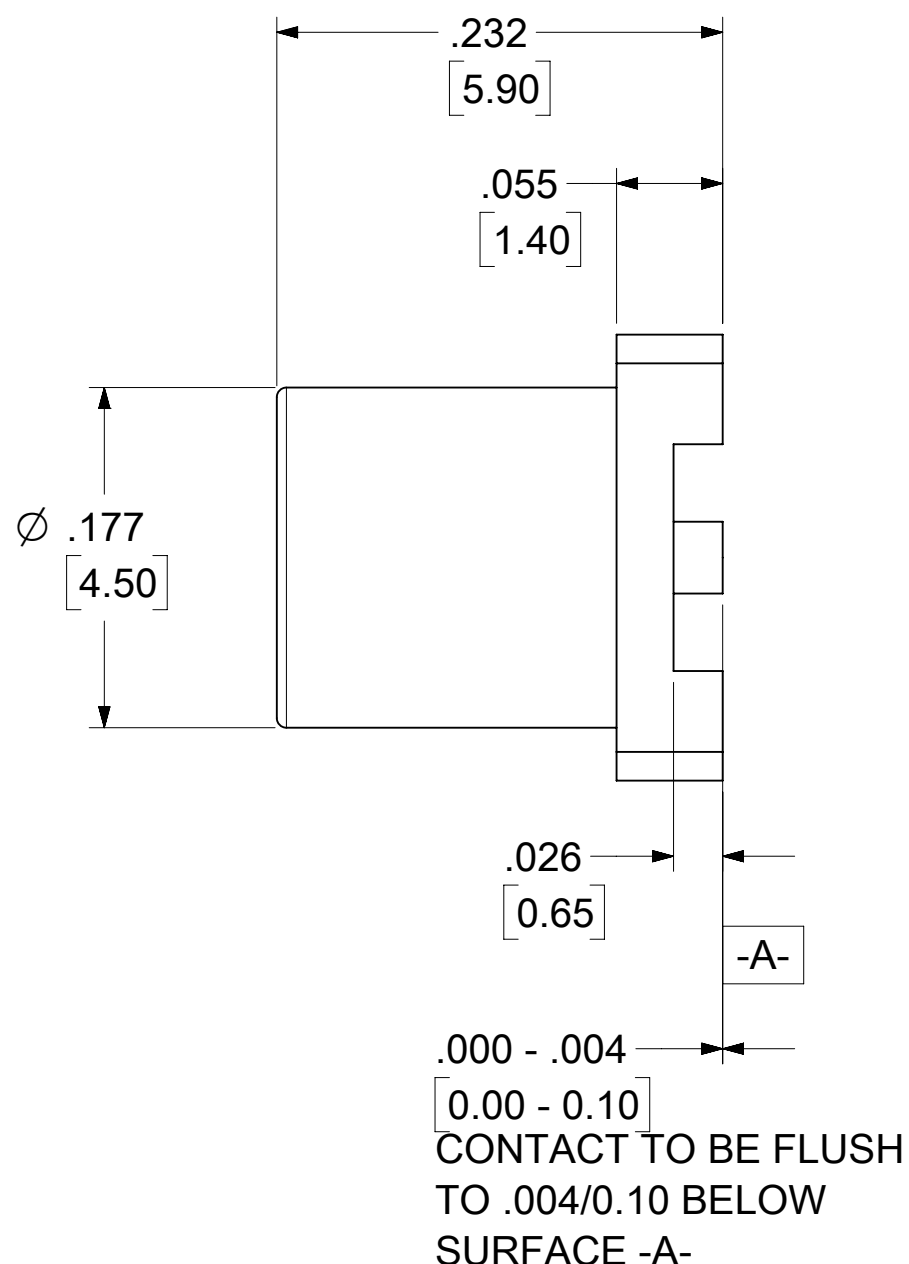
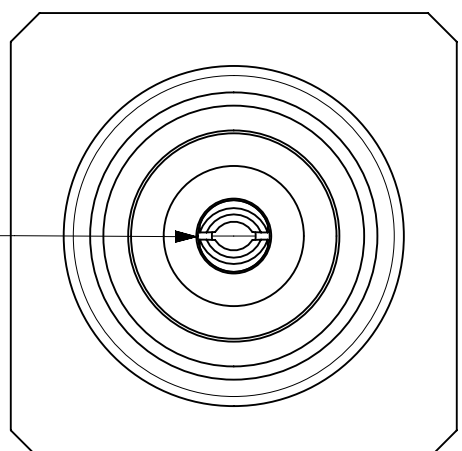
CONTACT: BERYLLIUM COPPER
GOLD (30µ-in MIN)

INSULATOR: TEFLON

NOTE:
73415-1696 & 73415-1697
WITH 4 SLOTS CONTACT



NOTE:
73415-1690 & 73415-1691 &
73415-1692 & 73415-1693 &
73415-1694 & 73415-1695 &
73415-1698 & 73415-1699 &
73366-6510
WITH 2 SLOTS CONTACT



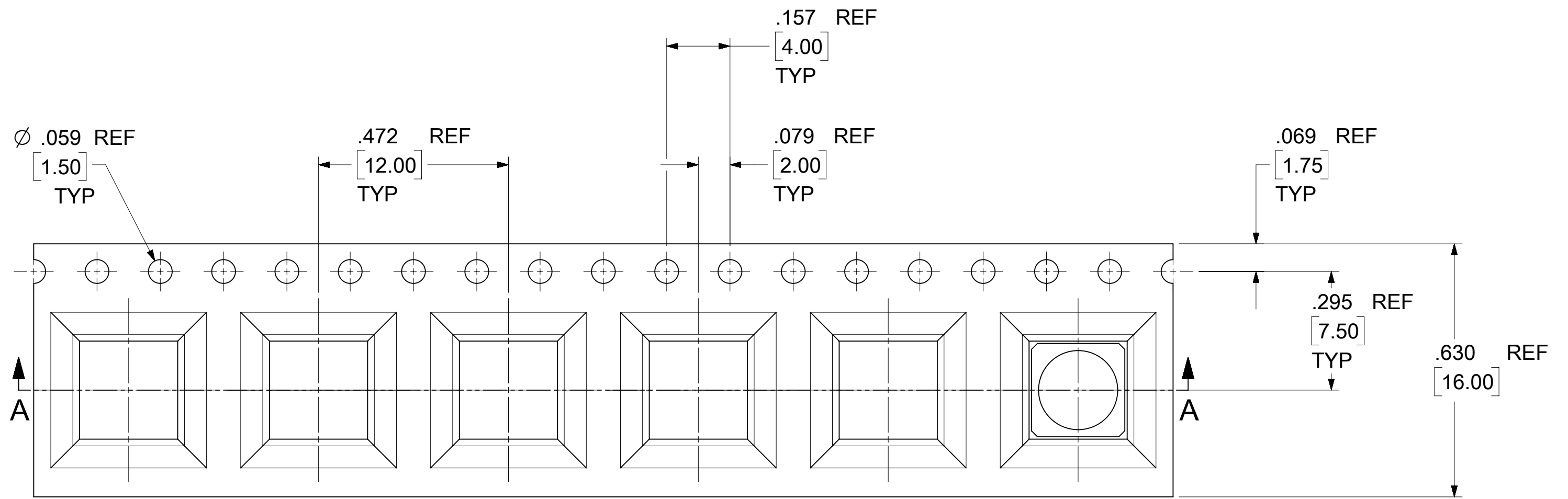
RECOMMENDED MOUNTING PATTERN

73366-6510	GOLD (1µ-in MIN)	2 SLOTS	73415-1691 TAPE & REEL WITH KAPTON	750 PCS PER REEL	SHEET 2, 3 & 4
73415-1699	GOLD (1µ-in MIN)	2 SLOTS	73416-1691 ONE PER BAG	1 PCS PER BAG	895420089
73415-1698	GOLD (30µ-in MIN)	2 SLOTS	73415-1698 TAPE & REEL WITH KAPTON	750 PCS PER REEL	SHEET 2, 3 & 4
73415-1697	GOLD (1µ-in MIN)	4 SLOTS	73415-1696 TAPE & REEL WITH KAPTON	750 PCS PER REEL	SHEET 2, 3 & 4
73415-1696	GOLD (1µ-in MIN)	4 SLOTS	73415-1696 BAG	500 PCS PER BAG	895420089
73415-1695	NICKEL	2 SLOTS	73415-1690 TAPE & REEL WITH KAPTON	750 PCS PER REEL	SHEET 2, 3 & 4
73415-1694	GOLD (1µ-in MIN)	2 SLOTS	73416-1691 SMALL TRAY	20 PCS PER TRAY	895420200
73415-1693	NICKEL	2 SLOTS	73415-1690 SMALL TRAY	20 PCS PER TRAY	895420200
73415-1692	GOLD (1µ-in MIN)	2 SLOTS	73415-1691 TAPE & REEL WITH KAPTON	750 PCS PER REEL	SHEET 2, 3 & 4
73415-1691	GOLD (1µ-in MIN)	2 SLOTS	73415-1691 BAG	500 PCS PER BAG	895420161
73415-1690	NICKEL	2 SLOTS	73415-1690 BAG	500 PCS PER BAG	895420161
PART NO.	BODY PLATING	CONTACT	DESCRIPTION	QUANTITY	PACKING SPEC

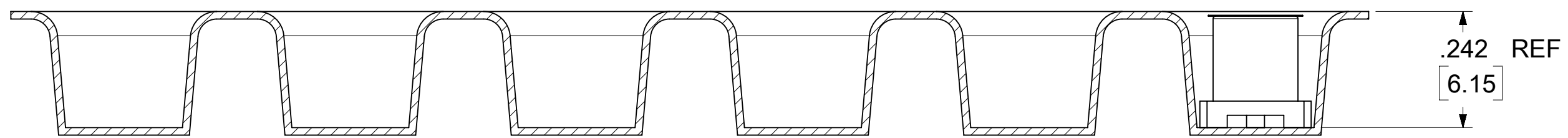
PS-89675-183	ELEC/MECH PERFORMANCE
SPECIFICATION	DESCRIPTION

THIS DRAWING CONTAINS INFORMATION THAT IS PROPRIETARY TO MOLEX ELECTRONIC TECHNOLOGIES, LLC AND SHOULD NOT BE USED WITHOUT WRITTEN PERMISSION

DIMENSION UNITS	SCALE	CURRENT REV DESC: ADD PACKING SPEC PER EWR #15848-A			
INCH/MM	NTS				
GENERAL TOLERANCES (UNLESS SPECIFIED)			MCX PCB/SMT JACK 50 OHM MCX-J/PCB/SMT EWR-1148		
4 PLACES	±	±			
3 PLACES	±	± 0.01	PRODUCT CUSTOMER DRAWING		
2 PLACES	±	± 0.25			
1 PLACE	±	±	DOCUMENT NUMBER: SD-73415-169 DOC TYPE: PSD DOC PART: 001 REVISION: B7		
0 PLACES	±	±			
ANGULAR TOL	±	± 2.0 °	MATERIAL NUMBER: SEE TABLE CUSTOMER: GENERAL MARKET SHEET NUMBER: 1 OF 4		
DRAFT WHERE APPLICABLE MUST REMAIN WITHIN DIMENSIONS					
THIRD ANGLE PROJECTION		DRAWING	SERIES	MATERIAL NUMBER	
		C-SIZE	73415	SEE TABLE	



VIEWS FOR 73415-1692 & 73415-1695 & 73415-1697 & 73415-1698 & 73366-6510



SECTION A-A

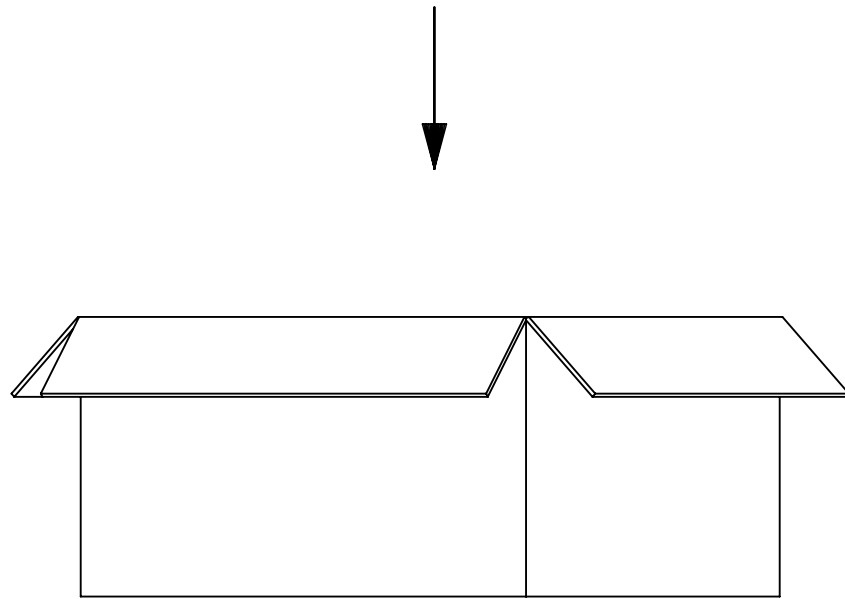
PENDING APPROVAL

THIS DRAWING CONTAINS INFORMATION THAT IS PROPRIETARY TO MOLEX ELECTRONIC TECHNOLOGIES, LLC AND SHOULD NOT BE USED WITHOUT WRITTEN PERMISSION										
DIMENSION UNITS INCH/MM		SCALE NTS		CURRENT REV DESC: ADD PACKING SPEC PER EWR #15848-A				molex		
GENERAL TOLERANCES (UNLESS SPECIFIED)				EC NO: 750290						
		MM	INCH	DRWN: RYEH				2023/05/10		
4 PLACES		±	±	CHK'D:				PRODUCT CUSTOMER DRAWING		
3 PLACES		±	± 0.01	APPR:				DOCUMENT NUMBER		
2 PLACES		± 0.25	±	INITIAL REVISION:				SD-73415-169		
1 PLACE		±	±	DRWN: YCHENG				PSD 001 B7		
0 PLACES		±	±	APPR: MHUANG				DOC TYPE DOC PART REVISION		
ANGULAR TOL		± 2.0 °		THIRD ANGLE PROJECTION		DRAWING	SERIES	MATERIAL NUMBER	CUSTOMER	SHEET NUMBER
DRAFT WHERE APPLICABLE MUST REMAIN WITHIN DIMENSIONS				C-SIZE		73415	SEE TABLE	GENERAL MARKET	2 OF 4	

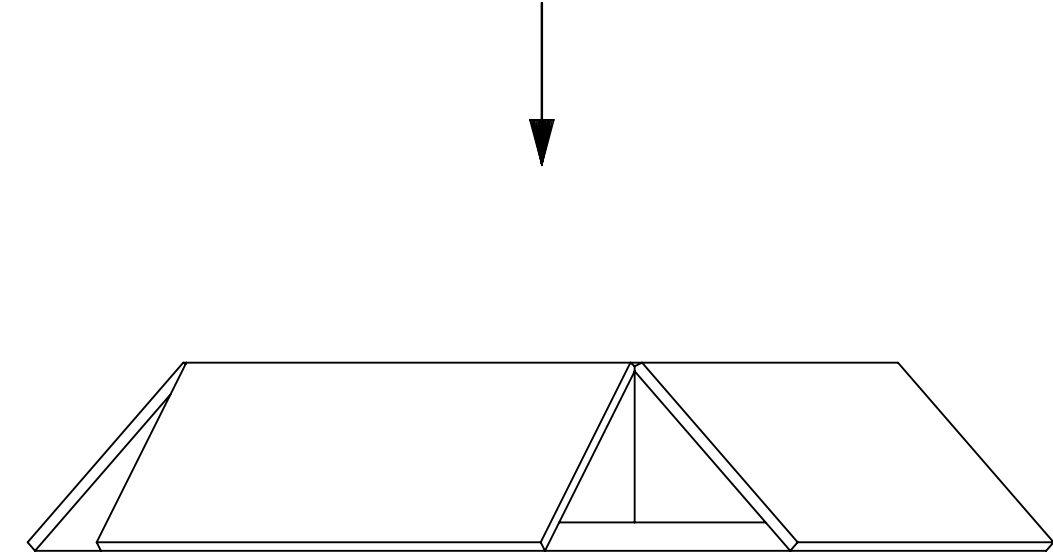
DOCUMENT STATUS	RQ	RELEASE DATE								
12	11	10	9	8	7	6	5	4	3	2

73415-1698	73415-1698 TAPE & REEL WITH KAPTON	750 PCS	6000 PCS
73415-1697	73415-1696 TAPE & REEL WITH KAPTON	750 PCS	6000 PCS
73415-1695	73415-1690 TAPE & REEL WITH KAPTON	750 PCS	6000 PCS
73415-1692	73415-1691 TAPE & REEL WITH KAPTON	750 PCS	6000 PCS
PART NO.	DESCRIPTION	QTY/REEL	QTY/CARTON

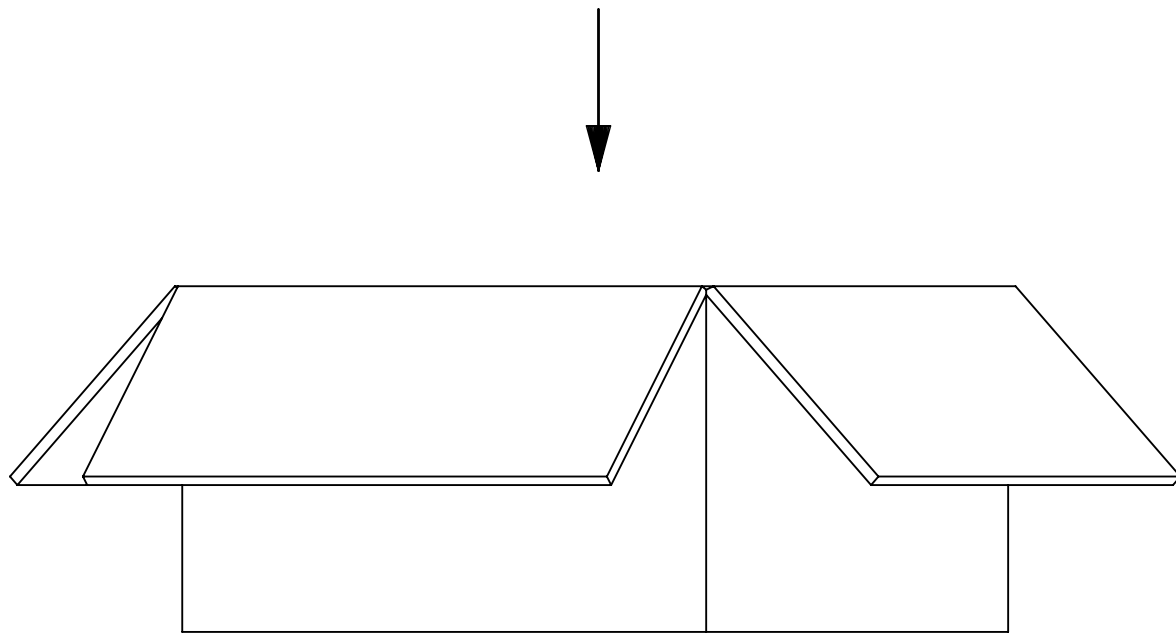
73366-6510	73415-1691 TAPE & REEL WITH KAPTON	750 PCS	750 PCS
PART NO.	DESCRIPTION	QTY/REEL	QTY/CARTON



8 REELS PER INNER CARTON BOX
(8 X 750 = 6000 PCS)



1 REEL PER CARTON BOX
(1 X 750 = 750 PCS)



8 REELS PER OUTER CARTON BOX
(8 X 750 = 6000 PCS)

PENDING APPROVAL

THIS DRAWING CONTAINS INFORMATION THAT IS PROPRIETARY TO MOLEX ELECTRONIC TECHNOLOGIES, LLC AND SHOULD NOT BE USED WITHOUT WRITTEN PERMISSION									
DIMENSION UNITS		SCALE		CURRENT REV DESC: ADD PACKING SPEC PER EWR #15848-A				molex	
INCH/MM		NTS							
GENERAL TOLERANCES (UNLESS SPECIFIED)				EC NO: 750290		2023/05/10		MCX PCB/SMT JACK 50 OHM MCX-J/PCB/SMT EWR-1148	
		MM	INCH	DRWN: RYEH					
4 PLACES		±	±	CHK'D:		2007/02/08		PRODUCT CUSTOMER DRAWING	
3 PLACES		±	± 0.01	APPR:					
2 PLACES		± 0.25	±	INITIAL REVISION:		2007/02/09		DOCUMENT NUMBER	
1 PLACE		±	±	DRWN: YCHENG					
0 PLACES		±	±	APPR: MHUANG		SD-73415-169		DOC TYPE	DOC PART
ANGULAR TOL		± 2.0 °		THIRD ANGLE PROJECTION		MATERIAL NUMBER		CUSTOMER	SHEET NUMBER
DRAFT WHERE APPLICABLE MUST REMAIN WITHIN DIMENSIONS				DRAWING		SERIES		GENERAL MARKET	4 OF 4
				C-SIZE		73415		SEE TABLE	

DOCUMENT STATUS	RQ	RELEASE DATE	
-----------------	----	--------------	--