

MATERIALS AND FINISHES

BODY, OUTER CONDUCTOR: BRASS  
PLATED TRI-METAL

CONTACT: PHOSPHOR BRONZE  
PLATED SILVER

INSULATOR: TEFLON

O-RING: SILICON RUBBER

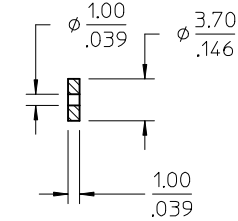
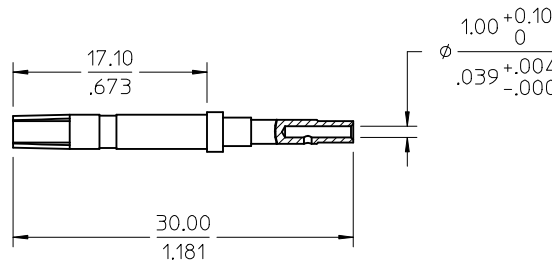
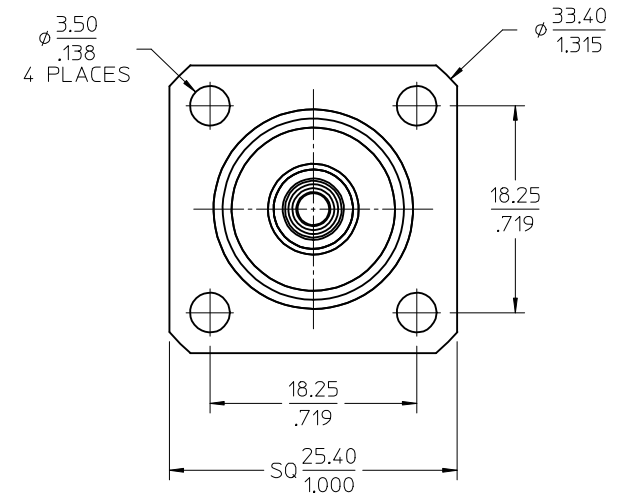
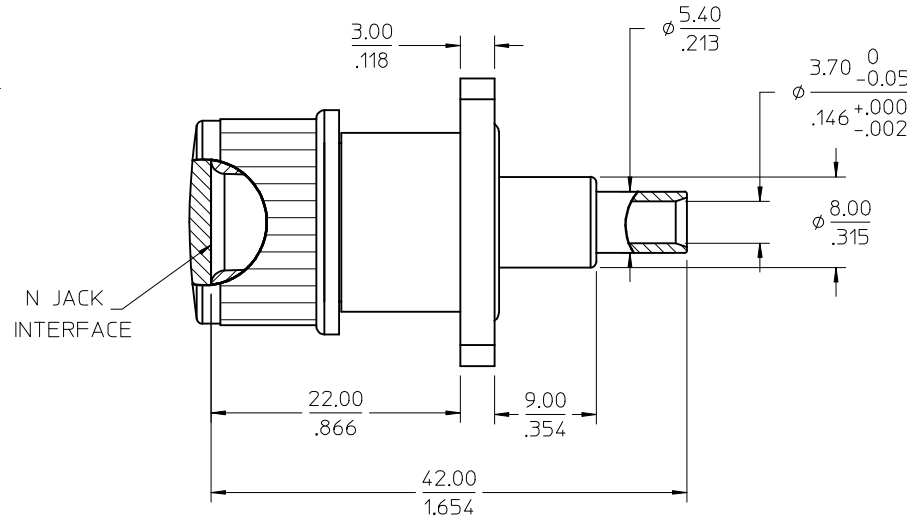
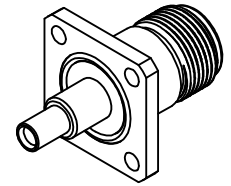
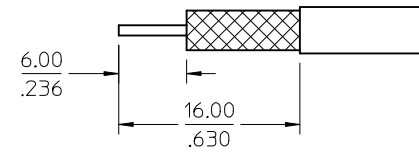
DUST CAP: LDPE  
COLOR: NATURAL

PERFORMANCE REQUIREMENTS:

FREQUENCY RANGE: 0-4000MHZ  
IMPEDANCE: 50 OHM  
VSWR: ≤1.15 @0-4000MHZ  
PIM3(2x43dBm): ≤-145dBc @ 900MHZ

PACKING: BY TRAY

141 CABLE  
RECOMMENDED STRIPPING DIMENSIONS



PART # 73141-0040

PS-89675-322	PRODUCT SPECIFICATION
IEC60169-16	INTERFACE
SPECIFICATION	DESCRIPTION

CHG: ADD PRODUCT SPEC. PER MTE13-E028 EC NO: URF2015-0677 DRW:MXU11 2015/06/01 CHKD: APPR:MYE08 2015/06/01 DESCRIPTION	QUALITY SYMBOLS	GENERAL TOLERANCES (UNLESS SPECIFIED)	DIMENSION STYLE	SCALE	DESIGN UNITS	THIRD ANGLE PROJECTION	
	▼=0 ▽=0	mm INCH 4 PLACES ± --- ± --- 3 PLACES ± --- ± --- 2 PLACES ± --- ± --- 1 PLACE ± --- ± --- ANGULAR ± 2 °	MM/IN	DRAWN BY DATE MHE02 2010/08/20 CHECKED BY DATE ERIC 2010/08/20 APPROVED BY DATE SRZHAO 2010/08/23	METRIC	N JACK FLANGE FOR 141 CABLE	
		DRAFT WHERE APPLICABLE MUST REMAIN WITHIN DIMENSIONS	MATERIAL NO.	MOLEX MOLEX INCORPORATED		SHEET NO. 1 OF 1	
	B2		731410040	DOCUMENT NO. SD-73141-004			

MATERIALS AND FINISHES

BODY, OUTER CONDUCTOR: BRASS  
PLATED TRI-METAL

CONTACT: PHOSPHOR BRONZE  
PLATED SILVER

INSULATOR: TEFLON

O-RING: SILICON RUBBER

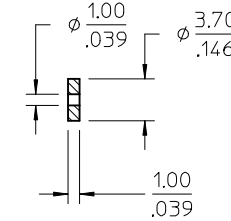
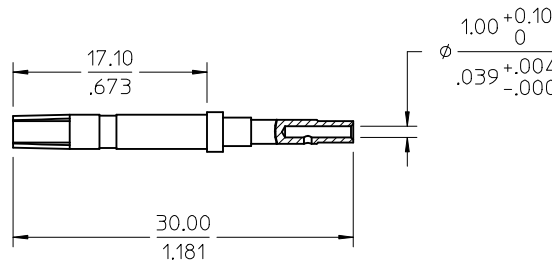
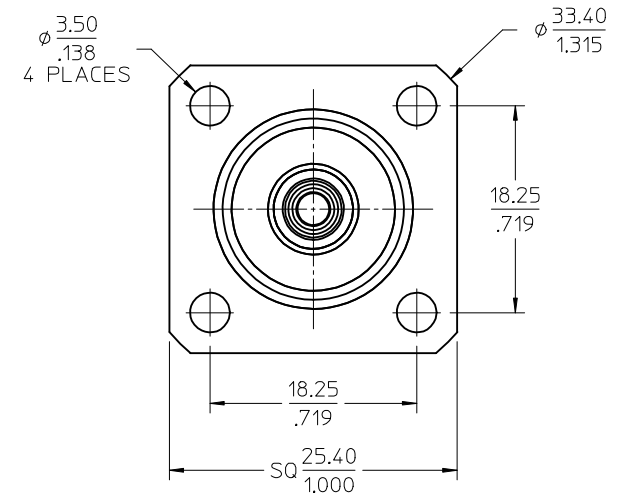
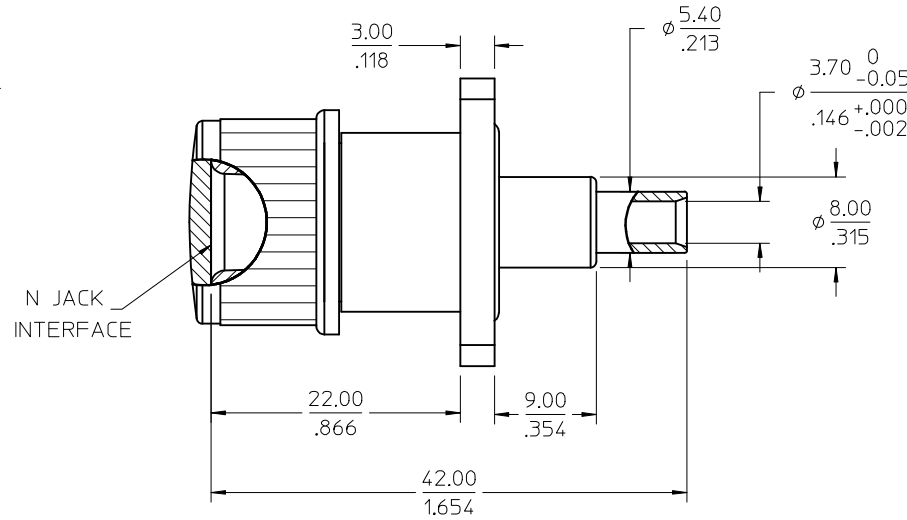
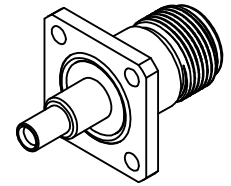
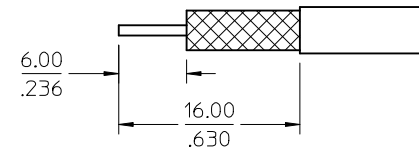
DUST CAP: LDPE  
COLOR: NATURAL

PERFORMANCE REQUIREMENTS:

FREQUENCY RANGE: 0-4000MHZ  
IMPEDANCE: 50 OHM  
VSWR: ≤1.15 @0-4000MHZ  
PIM3(2x43dBm): ≤-145dBc @ 900MHZ

PACKING: BY TRAY

141 CABLE  
RECOMMENDED STRIPPING DIMENSIONS



PART # 73141-0040

PS-89675-322	PRODUCT SPECIFICATION
IEC60169-16	INTERFACE
SPECIFICATION	DESCRIPTION

CHG: ADD PRODUCT SPEC. PER MTE13-E028 EC NO: URF2015-0677 DRW:MXU11 2015/06/01 CHKD: APPR:MYE08 2015/06/01 B2 REV	QUALITY SYMBOLS	▽=0 ▽=0	GENERAL TOLERANCES (UNLESS SPECIFIED) mm INCH 4 PLACES ± --- ± --- 3 PLACES ± --- ± --- 2 PLACES ± --- ± --- 1 PLACE ± --- ± --- ANGULAR ± 2°	DIMENSION STYLE MM/IN DRAWN BY DATE MHE02 2010/08/20 CHECKED BY DATE ERIC 2010/08/20 APPROVED BY DATE SRZHAO 2010/08/23	SCALE DESIGN UNITS METRIC THIRD ANGLE PROJECTION	TITLE N JACK FLANGE FOR 141 CABLE	MATERIAL NO. 731410040	DOCUMENT NO. SD-73141-004	SHEET NO. 1 OF 1
	DRAFT WHERE APPLICABLE MUST REMAIN WITHIN DIMENSIONS			MOLEX INCORPORATED					
				THIS DRAWING CONTAINS INFORMATION THAT IS PROPRIETARY TO MOLEX INCORPORATED AND SHOULD NOT BE USED WITHOUT WRITTEN PERMISSION					