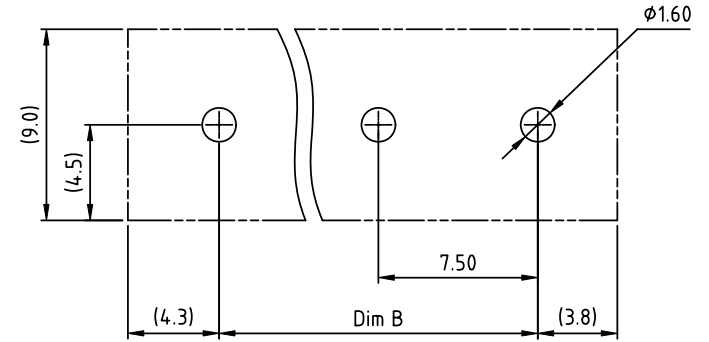
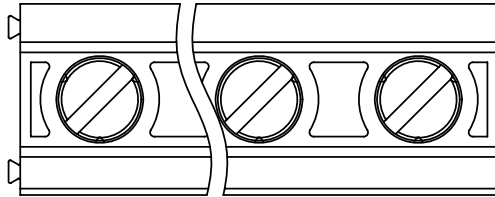
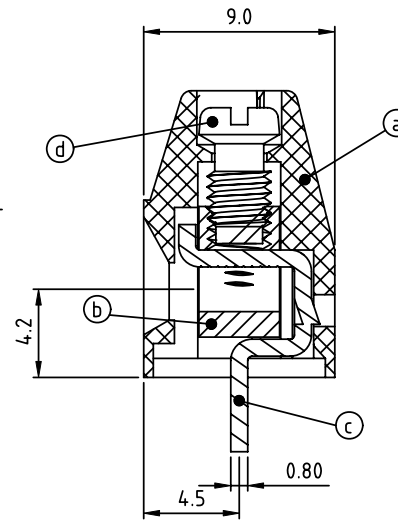
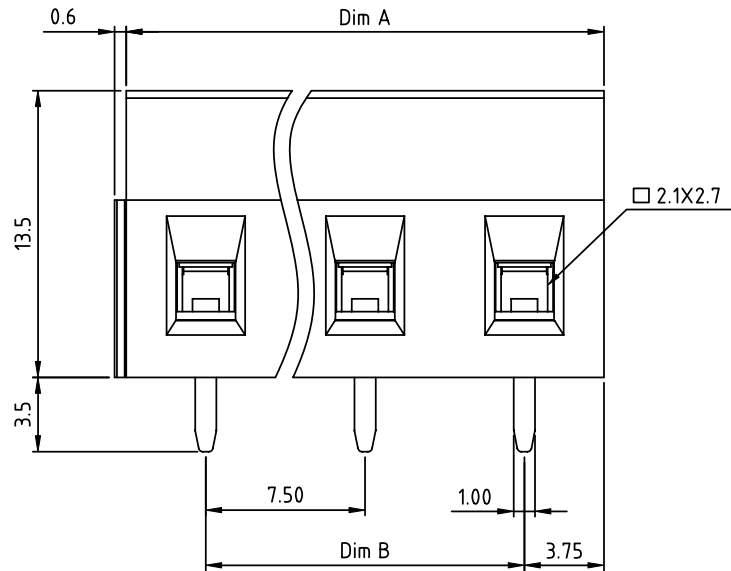


PRODUCT NUMBER	PITCH
Vlxx41x200J0G	7.50 mm



RECOMMENDED P.C.B LAYOUT  
TOP VIEW



Material:

- Item (a) Terminal housing : Thermoplastic (UL 94V-0)
- Item (b) Clamp : Brass ,Ni plated
- Item (c) Solder pin : Brass ,Tin plated
- Item (d) Terminal screw: Steel Zinc plating"- "slot type

Electrical cULus/FIMKO

- Voltage rating: 300VAC/300VAC
- Current rating: 16A/17.5A
- Wire range: 1.5mm<sup>2</sup>
- Solid wire(AWG): 12-28
- Stranded wire(AWG): 12-28
- Torque: 3.5Lb-In./0.5Nm
- Screw: M3
- Wire strip length: 6-7mm
- Withstanding Voltage: 1.6KV/2.5KV
- Operating temperature: -40°C to +115°C
- Soldering temperature: 260°C±5°C/5 Sec
- Safety Approval:

PART NO.: VI xx 4 1 x 2 00J0 G

DIMENSION

Dim A	N×7.5
Dim B	(N-1)×7.5

N=Number of poles

Poles	Tolerance
2p-6p	±0.15
7p-12p	±0.25
13p-16p	±0.35

End stackable	No. of poles	Color	RoHS compliant (lead<4%) In copper Alloy
0	2	Black (RAL9005)	
02	2 poles	Red (RAL3001/D)	
03	3 poles	Orange(RAL2011/P)	
...	...	4 Yellow(RAL1018/A)	
...	...	5 Green(RAL6018/T)	
16	16 poles	6 Blue (RAL5015/A)	
		8 Grey(RAL7035/D)	
		9 White(RAL1102)	
		C Green(RAL6018/U)	

mat'l. code		surface ASME Y14.5	tolerance ASME Y14.5	projection	product family
ltr ecn no dr date		tolerances unless otherwise specified			TERMINAL BLOCK
		angles	X.±0.5	MM	title
		fil	X.X±0.3		TERMINAL BLOCK
		X*±1*	X.XX±0.1	scale	RISING CLAMP,180D WIRE INLET,END STACKABLE
		dr	EVIN ZHONG 040914		dwg no
		enr	EVIN ZHONG 040914		sheet 1 of 1
		chr	HANKE FENG 040914		size
		appd	SHI JUN 040914		A4
sheet index	revision sheet	A	1		type CUSTOMER Drawing