

POWER PRODUCTS

Features

- Off-Active™ feature with ultra-low pico-amp current
- Best-in-class Off-active™ quiescent current of 100pA
- Ultra-low on-active quiescent current of 70nA
- Accurate on to Off-active™ voltage threshold
- Threshold voltage options of 1.2V - 4.2V in 100mV steps (programmed at manufacturing)
- Supervisory over-current limit shutdown
- Low Rds(on): 175mΩ typical @ 5V
- Low drop out disconnect from VBAT to loads
- Turn-on slew rate controlled
- 500mV off to on-active hysteresis

Summary

- Wide input voltage range: 1.2V – 5.5V
- Packaged in a 8pin DFN (2x2)
- Product is lead-free, Halogen Free, RoHS / WEEE compliant

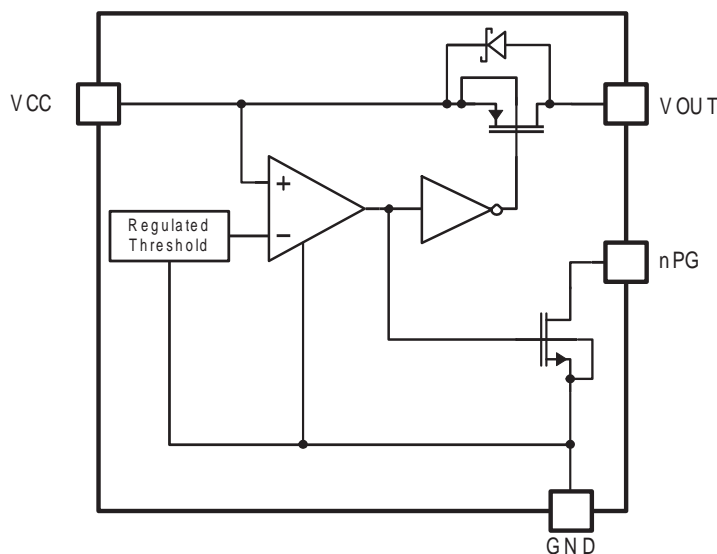
Description

The TS12001 Off-Active™ battery management load switch is used to protect a battery from excessive discharge. It consists of an internally generated threshold voltage (VTHRESH), comparator with hysteresis, slew rate control for the load switch, a P-Channel load switch, and an open-drain indicator pin. When the input battery voltage is above VTHRESH, the load switch is on-active. When the input battery voltage falls to VTHRESH, the load switch is Off-Active™ and the quiescent current draw is approximately 100pA.

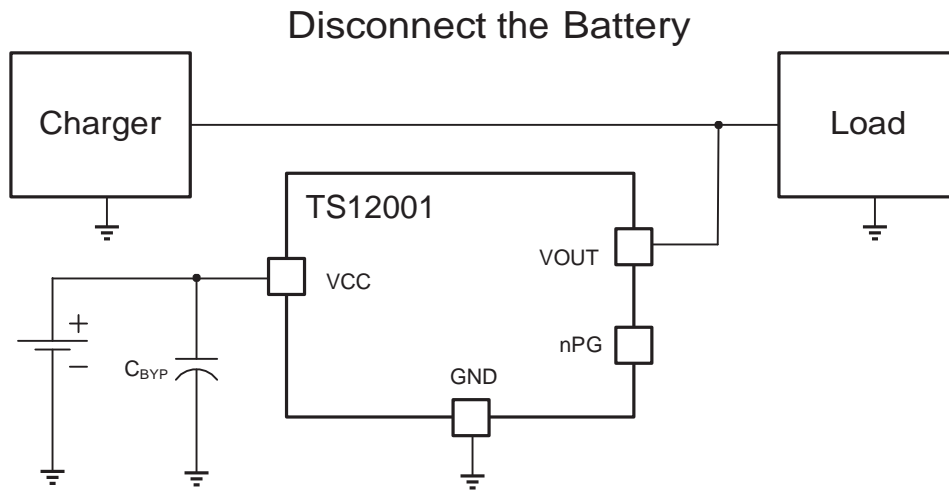
Applications

- Portable Battery
- Industrial
- Medical
- SmartCard
- RFID
- Energy Harvesting Systems

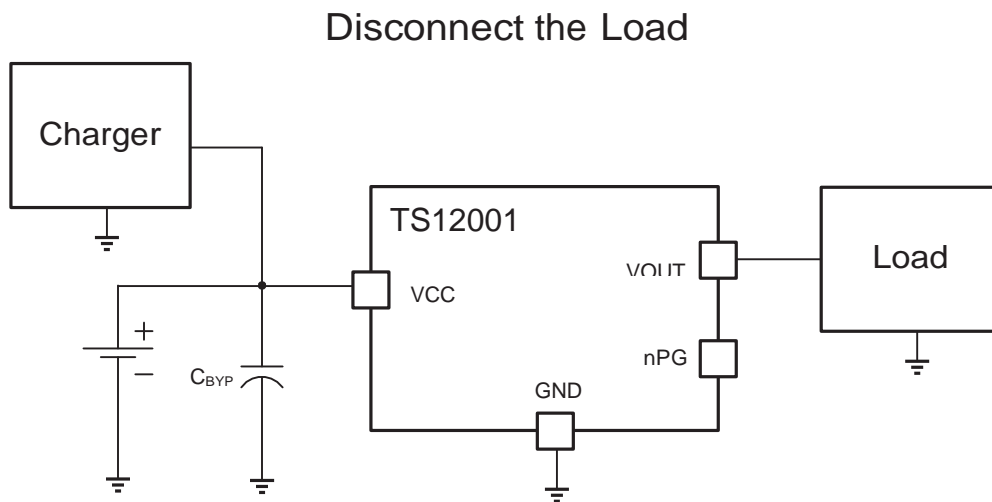
Block Diagram



Typical Applications



Note: When the TS12001 is Off-Active™, the battery will continue to charge through the body diode between VOUT and VCC.



Pin Description

Pin #	Pin Name	Pin Type ⁽¹⁾	Description
1	GND	P	GND
2	V _{OUT}	O	Output to System Load
3	NC		No Connect (connect to GND or float)
4	NC		No Connect (connect to GND or float)
5	NC		No Connect (connect to GND or float)
6	V _{CC}	I/P	Supply Input
7	V _{CC}	I/P	Supply Input
8	nPG	O	Open-Drain N-Channel Output (low indicates Power Good)

(1) I = Input, O = Output, P = Power

Absolute Maximum Ratings

Over operating free-air temperature range unless otherwise noted^(2, 3, 4)

Parameter	Value	Unit
VCC, VOUT, nPG	-0.3 to 6.0	V
Electrostatic Discharge – Human Body Model	2	kV
Operating Junction Temperature Range, T _J	-40 to 85	°C
Storage Temperature Range, T _{STG}	-65 to 150	°C
Lead Temperature (soldering, 10 seconds)	260	°C

(2) Stresses beyond those listed under “absolute maximum ratings” may cause permanent damage to the device. These are stress ratings only, and functional operation of the device at these or any other conditions beyond those indicated under “recommended operating conditions” is not implied. Exposure to absolute-maximum-rated conditions for extended periods may affect device reliability.

(3) All voltage values are with respect to network ground terminal.

(4) ESD testing is performed according to the respective JESD22 JEDEC standard.

Thermal Characteristics

Package DFN	θ _{JA} (°C/W) (See Note 5)	θ _{JC} (°C/W) (See Note 6)
8 pin	73.1	10.7

(5) This assumes a FR4 board only.

(6) This assumes a 1 Oz. Copper JEDEC standard board with thermal vias – See Exposed Pad section and application note for more information.

Recommended Operating Conditions

Parameter	Min	Typ	Max	Unit
Unregulated Supply Input Voltage (V_{CC})	1.2		5.5	V
Operating Ambient Temperature, T_A (Note 7)	-40		55	°C
Operating Junction Temperature, T_J	-40		85	°C
Input Bypass Capacitor (C_{BYP})		100		nF

(7) T_A Max shown here is a guideline. Higher T_A can be tolerated if T_J does not exceed the Absolute Maximum Rating.

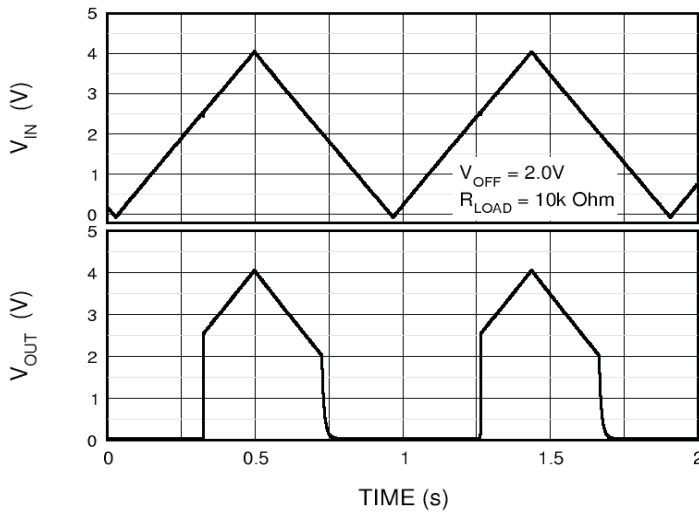
Characteristics

Electrical characteristics, $V_{CC} = 1.2V$ to $5.5V$, $T_J = 25C$, unless otherwise noted

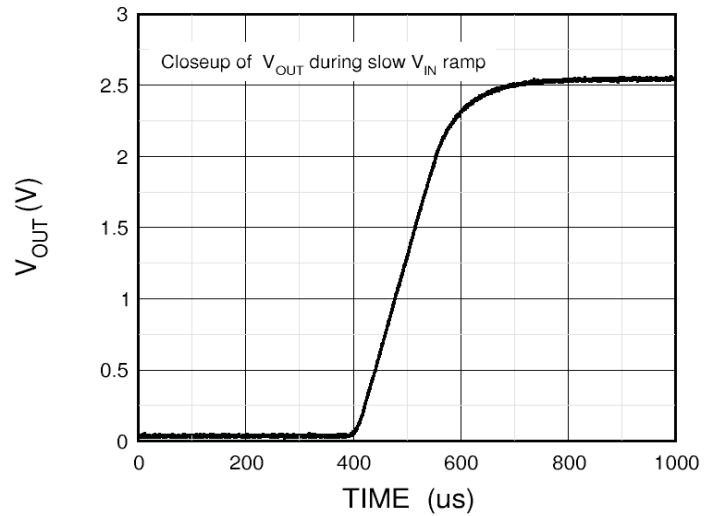
Symbol	Parameter	Condition	Min	Typ	Max	Unit
Input Supply						
V_{CC}	Input Supply Voltage		1.2		5.5	V
I_{Q-ON}	Quiescent current: on-active Mode	$V_{CC} = 5V$, No Load		70	150	nA
I_{Q-OFF}	Quiescent current: Off-Active™ Mode	$V_{CC} < V_{THRESH}$, No Load		100		pA
Load Switch						
I_{OC}	Over Current Shutdown	$V_{CC} = 5.0V$		3		A
T_{OC}	Over Current Retry Period	$V_{CC} = 5.0V$		1.7		ms
$I_{LEAK-SW}$	Output Switch Leakage Current	$V_{CC} < V_{THRESH}$ V_{OUT} Grounded		100		pA
Rds-on	Switch On Resistance	$V_{CC} = 5.0V$		175		mΩ
		$V_{CC} = 3.3V$		200		mΩ
		$V_{CC} = 1.8V$		350		mΩ
Transition Times						
t_{d1}	Transition delay: on-active to Off-Active™	$V_{OFF} = 2.0V$, $V_{CC} = 3.0V \rightarrow 1.5V$		650		μs
t_{d2}	Transition delay: Off-Active™ to on-active	$V_{OFF} = 2.0V$, $V_{CC} = 1.5V \rightarrow 3.0V$		1.7		ms
t_{ON}	Output turn-on rise time	$V_{CC} = 2.5V$, $R_{LOAD} = 50\Omega$		200		μs
nPG Output						
$I_{LEAK-nPG}$	Output Leakage	$V_{CC} = 5.0V$, $V_{nPG} = 5.5V$			100	nA
V_{OL-nPG}	Low-Level Output Voltage	$I_{nPG} = 5\text{ mA}$			0.4	V
Off-Active Thresholds						
V_{OFF}	Off-Active™ Threshold	$V_{THRESH} = 1.2V$ to $3.3V$	0.95* V_{THRESH}	V_{THRESH}	1.05* V_{THRESH}	V
V_{Hys}	Off-Active™ to on-active Hysteresis	Rising Transition: Off-Active™ to on-active		500		mV

Typical Characteristics

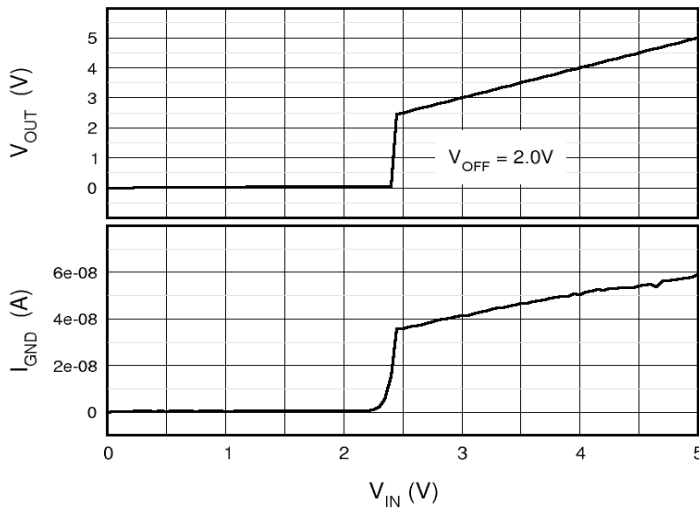
On-Active / Off-Active™ Characteristics



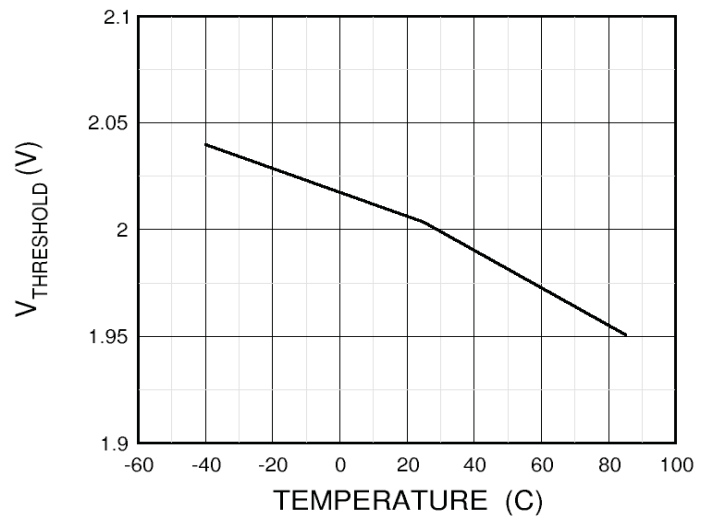
On-Active Switching Behavior



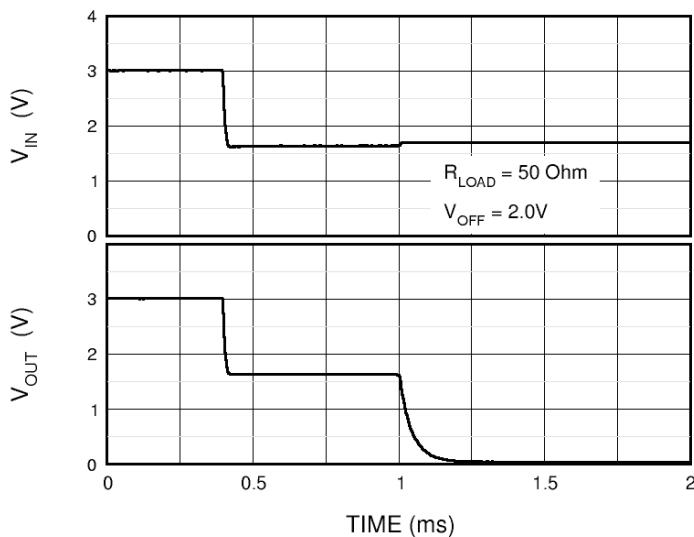
On-Active / Off-Active™ I_q



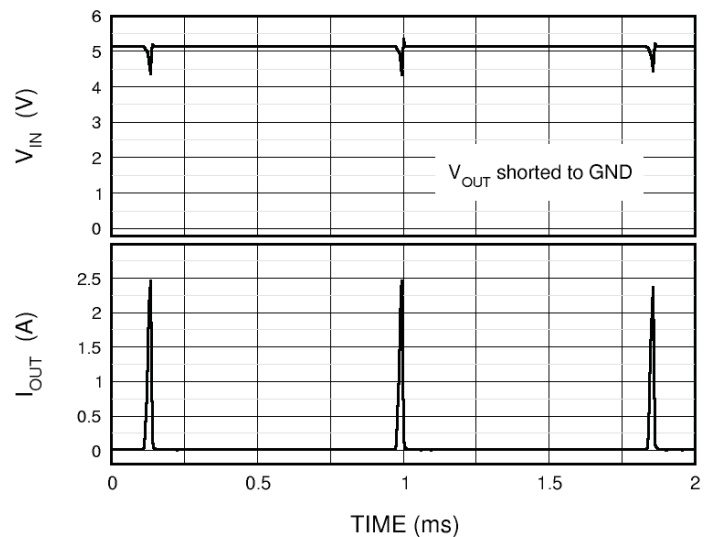
Off-Active™ V_{THRESH} Temperature Performance



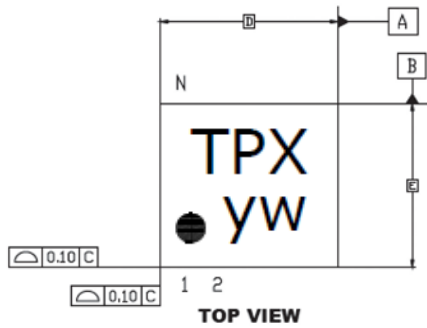
On-Active / Off-Active™ Transition Delay



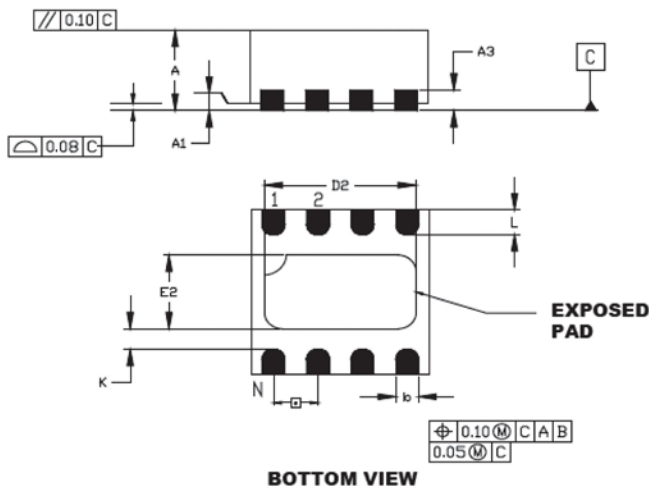
Over Current Retry Performance



Package Mechanical Drawings (all dimensions in mm)



Refer to the Ordering Information table on page 10 for device marking codes



	Units	MILLIMETERS		
		MIN	NOM	MAX
Number of Pins	N	8		
Pitch	e	0.50 BSC		
Overall Height	A	0.80	0.90	1.00
Standoff	A1	0.00	0.02	0.05
Contact Thickness	A3	0.20 REF		
Overall Length	D	2.00 BSC		
Exposed Pad Width	E2	0.75	0.90	1.00
Overall Width	E	2.00 BSC		
Exposed Pad Length	D2	1.55	1.70	1.80
Contact Width	b	0.18	0.25	0.30
Contact Length	L	0.20	0.30	0.40
Contact-to-Exposed Pad	K	0.20	-	-

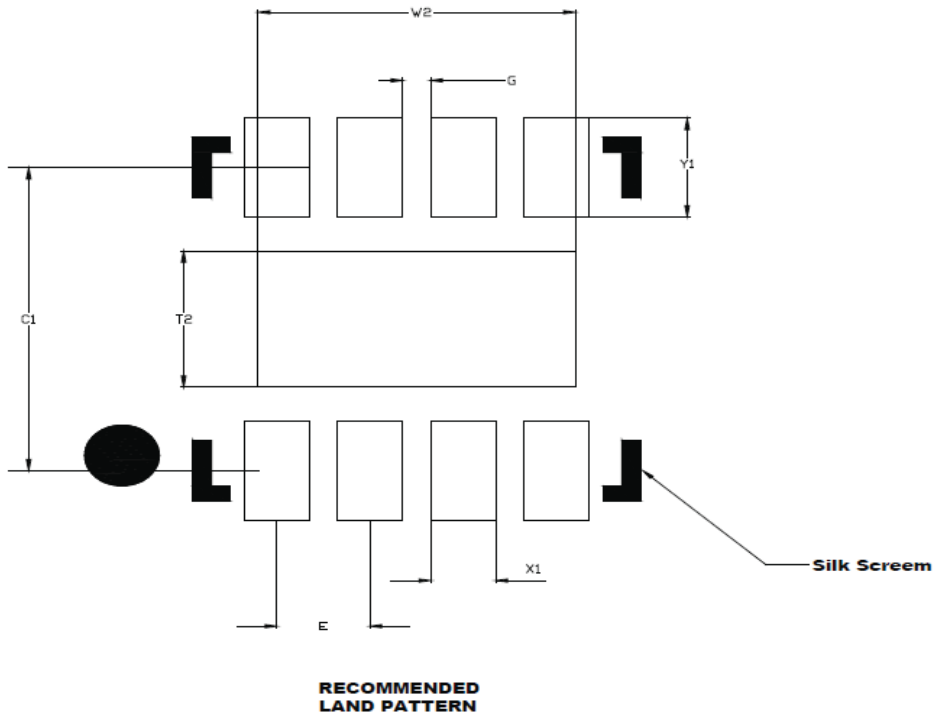
Notes:

Dimensions and tolerances per ASME Y14.5M.

BSC: Basic Dimension. Theoretically exact values shown without tolerances.

REF: Reference Dimension, usually without tolerance, for information only.

Recommended PCB Land Pattern



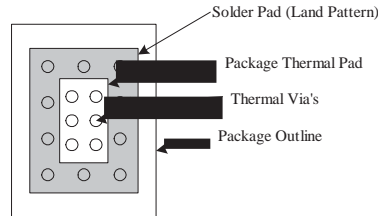
DIMENSIONS IN MILLIMETERS

	Units	MILLIMETERS		
		MIN	NOM	MAX
	Dimension Limits			
Contact Pitch	E	0.50 BSC		
Optional Center Pad Width	W2	-	-	1.70
Optional Center Pad Length	T2	-	-	0.90
Contact Pad Spacing	C1	-	2.00	-
Contact Pad Spacing	C2	-	-	-
Contact Pad Width (X8)	X1	-	-	0.35
Contact Pad Length (X8)	Y1	-	-	0.65
Distance Between Pads	G	0.15	-	-

Application Using a Multi-Layer PCB

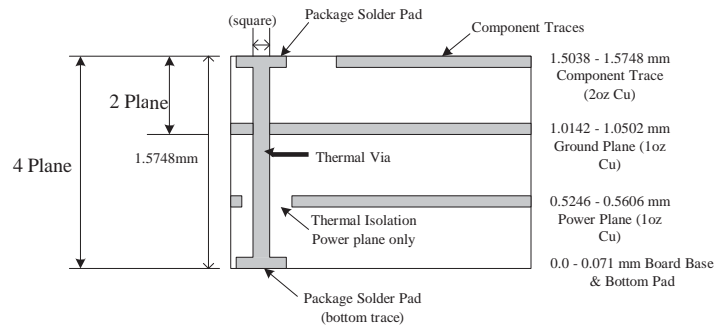
To maximize the efficiency of this package for application on a single layer or multi-layer PCB, certain guidelines must be followed when laying out this part on the PCB.

The following are guidelines for mounting the exposed pad IC on a Multi-Layer PCB with a ground plane.



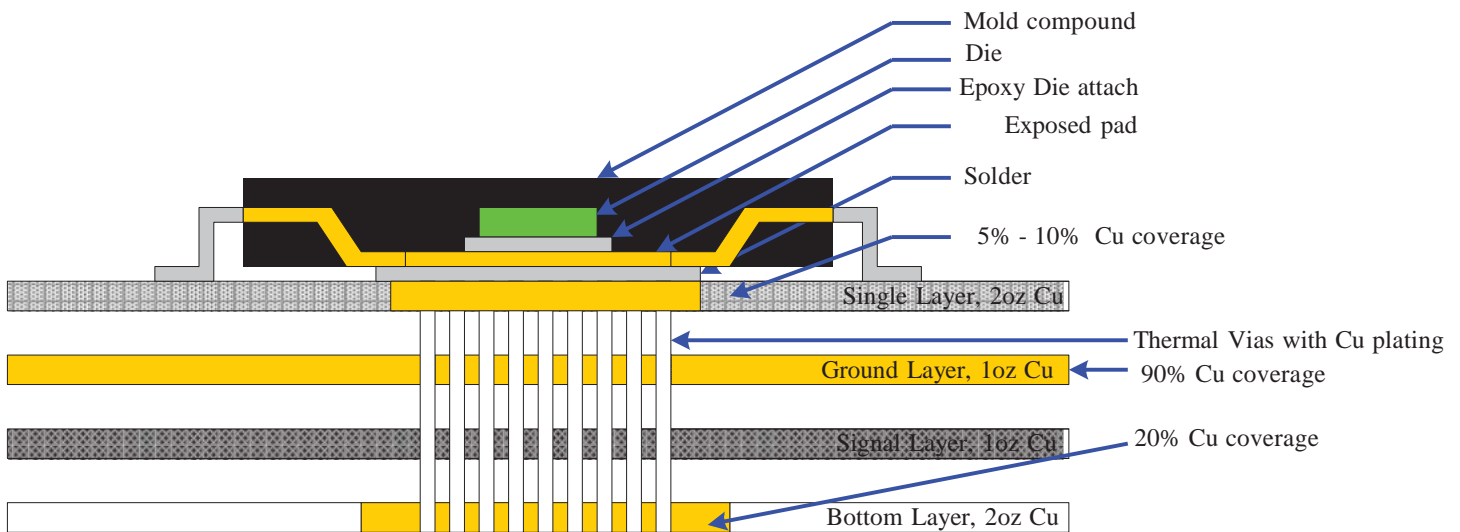
Package and PCB Land Configuration
For a Multi-Layer PCB

JEDEC standard FR4 PCB Cross-section:



Multi-Layer Board (Cross-sectional View)

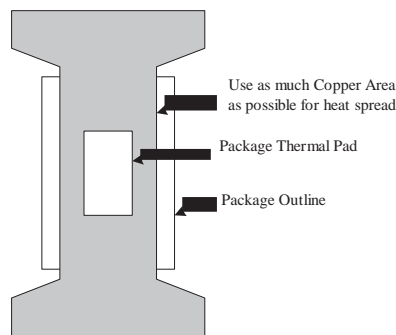
In a multi-layer board application, the thermal vias are the primary method of heat transfer from the package thermal pad to the internal ground plane. The efficiency of this method depends on several factors, including die area, number of thermal vias, thickness of copper, etc.



Note: NOT to Scale

The above drawing is a representation of how the heat can be conducted away from the die using an exposed pad package. Each application will have different requirements and limitations and therefore the user should use sufficient copper to dissipate the power in the system. The output current rating for the linear regulators may have to be de-rated for ambient temperatures above 85C. The de-rate value will depend on calculated worst case power dissipation and the thermal management implementation in the application.

Application Using a Single Layer PCB



Layout recommendations for a Single Layer PCB: utilize as much Copper Area for Power Management. In a single layer board application the thermal pad is attached to a heat spreader (copper areas) by using low thermal impedance attachment method (solder paste or thermal conductive epoxy).

In both of the methods mentioned above it is advisable to use as much copper traces as possible to dissipate the heat.

IMPORTANT:

If the attachment method is NOT implemented correctly, the functionality of the product is not guaranteed. Power dissipation capability will be adversely affected if the device is incorrectly mounted onto the circuit board.

Ordering Information

TS12001-CvvvDFNR

Part Number	Description	Marking Code
vvv	Threshold Voltage (V_{THRESH})*	TPX
017	1.7 V	T05
021	2.1 V	T09
023	2.3 V	T0B
024	2.4 V	T0C
025	2.5 V	T0D
026	2.6 V	T0E
028	2.8 V	T0F
030	3.0 V	T0G

* Custom values also available (1.2V - 4.2V typical in 100mV increments)

RoHS and Reach Compliance

Semtech is fully committed to environmental quality. All Semtech materials and suppliers are fully compliant with RoHS (European Union Directive 2011/65/EU), REACH SVHC Chemical Restrictions (EC 1907/2006), IPC-1752 Level 3 materials declarations, and their subsequent amendments. Semtech maintains certified laboratory reports for all product materials, from all suppliers, which show full compliance to restrictions on the following:

- Cadmium (Cd)
- Chlorofluorocarbons (CFCs)
- Chlorinate Hydrocarbons (CHCs)
- Halons (Halogen free)
- Hexavalent Chromium (CrVI)
- Hydrobromofluorocarbons (HBFCs)
- Hydrochlorofluorocarbons (HCFCs)
- Lead (Pb)
- Mercury (Hg) Perfluorocarbons
- (PFCs) Polybrominated
- biphenyls (PBB)
- Polybrominated Diphenyl Ethers (PBDEs)



IMPORTANT NOTICE

Information relating to this product and the application or design described herein is believed to be reliable, however such information is provided as a guide only and Semtech assumes no liability for any errors in this document, or for the application or design described herein. Semtech reserves the right to make changes to the product or this document at any time without notice. Buyers should obtain the latest relevant information before placing orders and should verify that such information is current and complete. Semtech warrants performance of its products to the specifications applicable at the time of sale, and all sales are made in accordance with Semtech's standard terms and conditions of sale.

SEMTECH PRODUCTS ARE NOT DESIGNED, INTENDED, AUTHORIZED OR WARRANTED TO BE SUITABLE FOR USE IN LIFE-SUPPORT APPLICATIONS, DEVICES OR SYSTEMS, OR IN NUCLEAR APPLICATIONS IN WHICH THE FAILURE COULD BE REASONABLY EXPECTED TO RESULT IN PERSONAL INJURY, LOSS OF LIFE OR SEVERE PROPERTY OR ENVIRONMENTAL DAMAGE. INCLUSION OF SEMTECH PRODUCTS IN SUCH APPLICATIONS IS UNDERSTOOD TO BE UNDERTAKEN SOLELY AT THE CUSTOMER'S OWN RISK. Should a customer purchase or use Semtech products for any such unauthorized application, the customer shall indemnify and hold Semtech and its officers, employees, subsidiaries, affiliates, and distributors harmless against all claims, costs damages and attorney fees which could arise.

The Semtech name and logo are registered trademarks of the Semtech Corporation. All other trademarks and trade names mentioned may be marks and names of Semtech or their respective companies. Semtech reserves the right to make changes to, or discontinue any products described in this document without further notice. Semtech makes no warranty, representation or guarantee, express or implied, regarding the suitability of its products for any particular purpose. All rights reserved.

© Semtech 2018

Contact Information

Semtech Corporation
200 Flynn Road, Camarillo, CA 93012
Phone: (805) 498-2111, Fax: (805) 498-3804
www.semtech.com