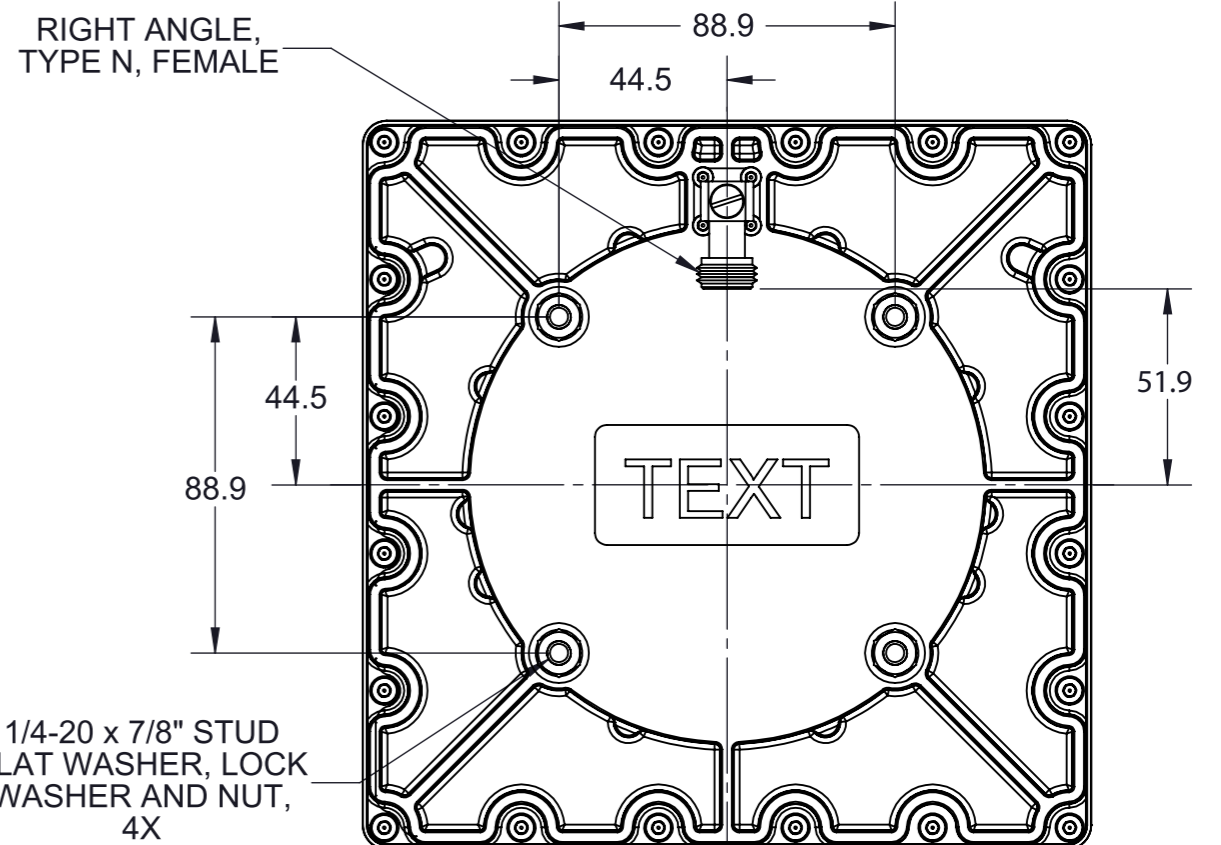
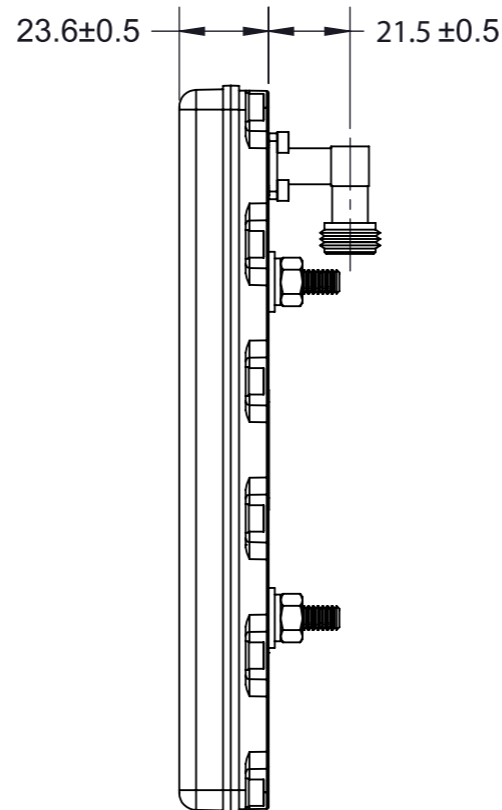
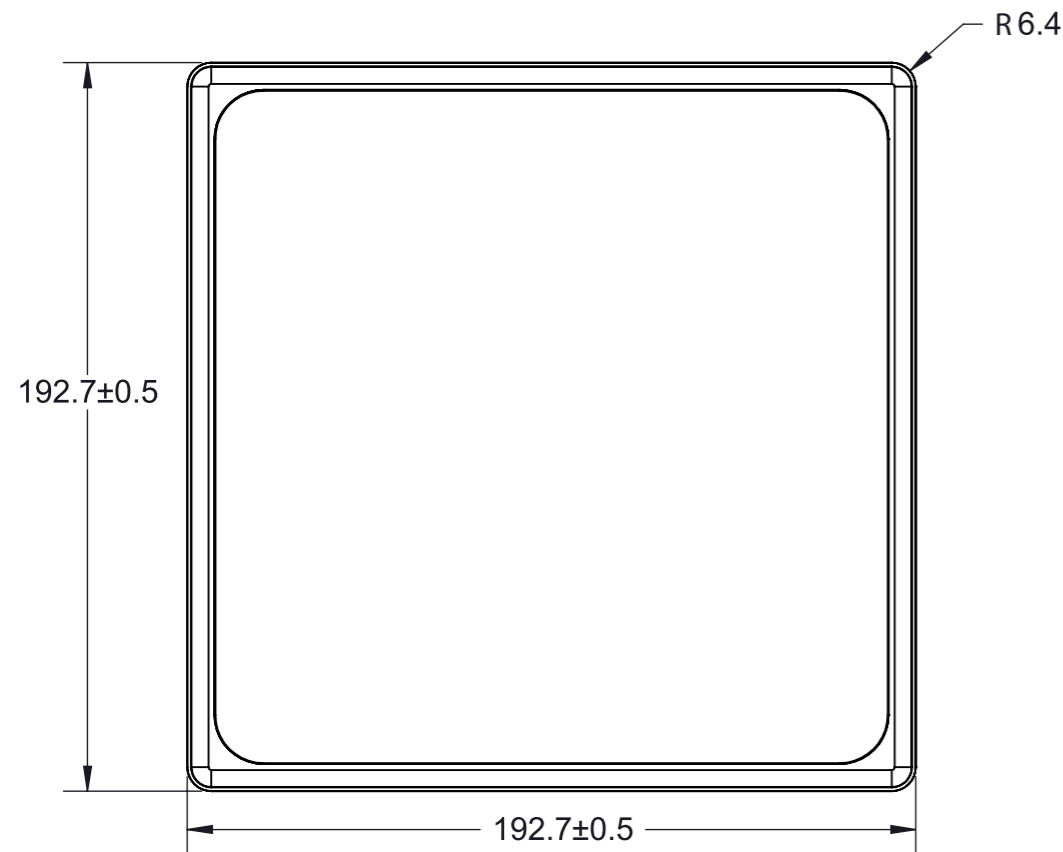


PARAMETER	SPECIFICATION
TE Part Number	S8656XRRN
Frequency Range	865-868MHz
Typical Gain	6dBic
Typical Axial Ratio	2dB
Input Impedance	50Ω
Maximum VSWR	1.5:1
Maximum Input Power	2W
Front-to-Back Ratio	12dB
3dB Beamwidth Azimuth	85°
Polarization	Circular,Right Hand
Antenna Weight	1kg
Antenna Connector	Right Ang. Type N, Female
Operating Temperature	-30°C to +70°C
Lightning Protection	DC Ground
Water/Foreign Body Ingress	IP67

REVISIONS					
REV.	ECR#	ZONE	DESCRIPTION	CHANGED BY/DATE	APPROVED BY/DATE
AA			INITIAL RELEASE	K.S. 04-27-10	K.S. 04-27-10
F01	CRN-IAS-02621		ADDED TO CHART WATER/FOREIGN BODY INGRESS, IP67. CHANGED REVAA TO F01 PER NEW STD IAS-ENG-001	MCL 14JUL14	T.P. 14JUL14



MATERIAL:	N/A	
FINISH:	N/A	
APPROVALS		DATE
DRAWN BY	K. SEARL	05-26-09
PROJ. ENG.	T. PETROPOULOS	04-27-10
APPL. MECH.	S. JOHNSON	04-27-10
MFG.	R. CHICOINE	04-27-10

THIRD ANGLE PROJECTION

DO NOT SCALE DRAWING

INTERPRET DIMENSIONING AND TOLERANCING IN ACCORDANCE WITH ASME Y14.5M-1994

TOLERANCES UNLESS OTHERWISE SPECIFIED

DIMENSIONS ARE IN MILLIMETERS

ANGLE: ±30'
 0 PLACE DECIMAL: ±0.5
 1 PLACE DECIMAL: ±0.25
 2 PLACE DECIMAL: ±0.13

SURFACE ROUGHNESS 1.6/√

TE
connectivity

S8656XRRN

SIZE **A3** DWG. NO. **S8656XRRNMO** REV **F01**

SCALE: 1:2 PREVIOUS# SHEET 1 OF 1

THIS DRAWING IS UNPUBLISHED. RELEASED FOR PUBLICATION - , - .

© Copyright 2022 TE Connectivity Ltd. ALL RIGHTS RESERVED.