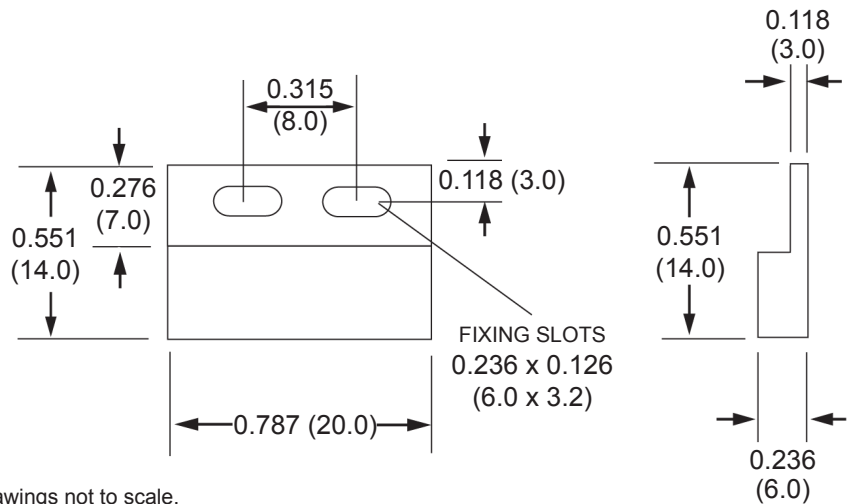


Part Number: MMPSM (Alternate Part No: S1694)
Magnet - Cased
Product Data Sheet

PICTURE



DIMENSIONS



✓ RoHS Compliant

Drawings not to scale.
 All dimensions in inches (mm) nominal.

SPECIFICATION

Style	Rectangular
Length	0.787 in (20 mm)
Height	0.236 in (6 mm)
Width	0.551 in (14 mm)
Case Material	Nylon 66

As part of the company policy of continued product improvement, specifications may change without notice. Our sales office will be pleased to help you with the latest information on this product range and the details of our full design and manufacturing service. All products are supplied to our standard conditions of sale unless otherwise agreed in writing.

Phone: (1) 973 777 6900

www.comus-intl.com

Fax: (1) 973 777 8405

Belgium: + 32 (0)12 390400 - Comus Europe Ltd (Assemtech) UK: +44 (0) 1255 862236 - Germany: +49 (0)911 923 15 943 - Netherlands: +31(0)45 54 39 345 - India: +(91) (44) 43219090

©2015 Copyright Comus International, 454 Allwood Road, Clifton NJ 07012, USA