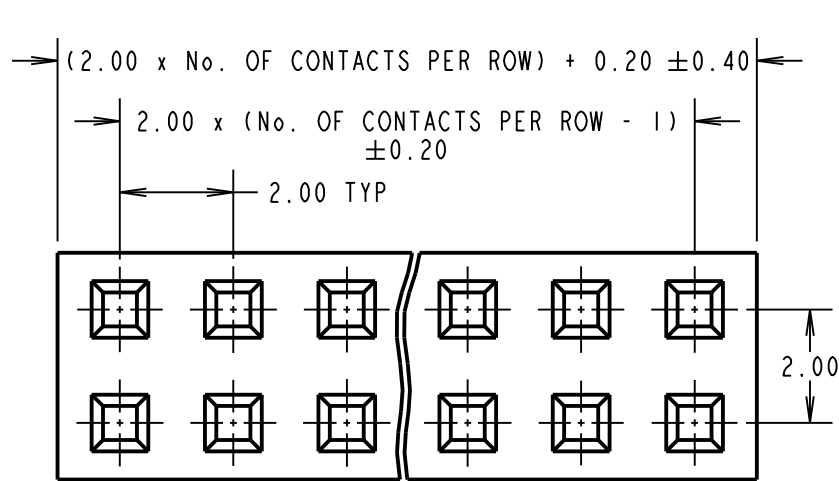


Customer Information Sheet

DRAWING No.: M22-302XX00 SHEET 2 OF 2 IF IN DOUBT - ASK © NOT TO SCALE THIRD ANGLE PROJECTION ALL DIMENSIONS IN mm



NOTES:

1. TO BE USED WITH CRIMP CONTACTS M22-30400XX (REELED) OR M22-30500XX (LOOSE).
2. ALL TOLERANCES ARE ± 0.10 UNLESS OTHERWISE STATED.
3. TRIANGLE PIN INDICATOR IS ON PIN 1 AND EVERY 5th PIN AFTER.
4. MATING PIN LENGTH = 4.5mm MAX
4.0mm MIN

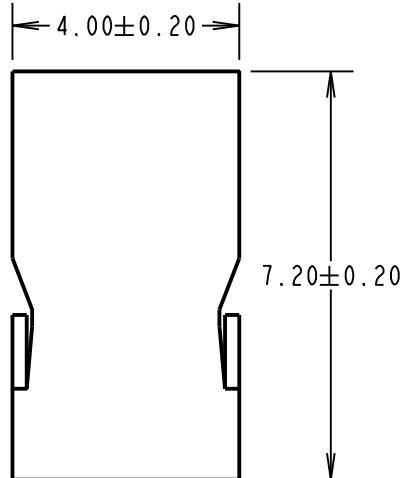
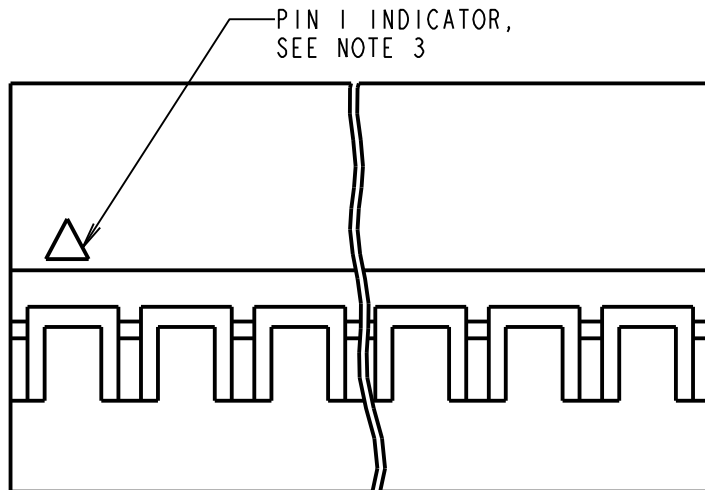
OBSOLETE
All other sizes
not listed below

SPECIFICATION:

MATERIAL
MOULDING = NYLON 66 UL94V-2, BLACK

ELECTRICAL:
CURRENT RATING = 1A AC/DC
VOLTAGE RATING = 250V AC/DC
DIELECTRIC WITHSTANDING VOLTAGE = 800V AC FOR ONE MINUTE
INSULATION RESISTANCE = 1000M Ω MIN

ENVIRONMENTAL:
OPERATING TEMPERATURE = -25°C TO +85°C



Active products:

M22-3020200	M22-3020900
M22-3020300	M22-3021000
M22-3020400	M22-3021200
M22-3020500	M22-3021600
M22-3020600	M22-3021700
M22-3020700	M22-3021800
M22-3020800	M22-3022000

ORDER CODE:
M22-302XX00

No. OF CONTACTS PER ROW: 2
~~02 TO 20~~

MSP	13	24.07.17	20286
NAME	ISS.	DATE	C/NOTE
APPROVED: M.PERREN			
CHECKED: M.PLESTED			
DRAWN: A. LIOTTA			
CUSTOMER REF.:			
ASSEMBLY DRG:			

HARWIN

www.harwin.com
technical@harwin.com

THIS DRAWING AND ANY INFORMATION OR DESCRIPTIVE MATTER SET OUT HEREON ARE CONFIDENTIAL AND COPYRIGHT PROPERTY OF THE HARWIN GROUP AND MUST NOT BE DISCLOSED, LOANED, COPIED OR USED FOR MANUFACTURING, TENDERING OR FOR ANY OTHER PURPOSE WITHOUT THEIR WRITTEN PERMISSION.

TOLERANCES
X. = ± 1 mm
X.X = ± 0.50 mm
X.XX = ± 0.10 mm
X.XXX = ± 0.01 mm
ANGLES = $\pm 5^\circ$
UNLESS STATED

MATERIAL:
SEE ABOVE

FINISH: SEE ABOVE

S/AREA: mm²

TITLE:
2.00mm DIL CRIMP
SOCKET HOUSING

DRAWING NUMBER:
M22-302XX00