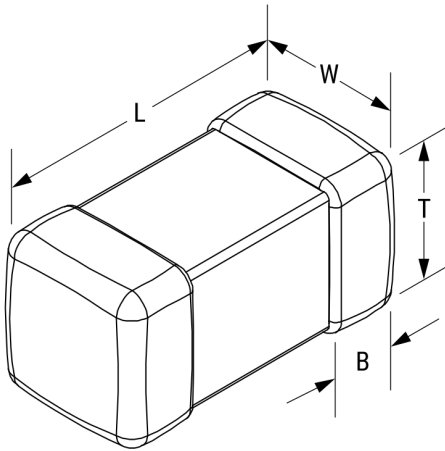


L0402CR82KSMST

Aliases (L0402CR82KSMST)

Obsolete

KEMET, L-SMS, Commercial Grade, 0.82 uH, 10%



Click [here](#) for the 3D model.

Dimensions

Chip Size	0402
L	1mm +/-0.05mm
W	0.5mm +/-0.05mm
T	0.5mm +/-0.05mm
LL	0.25mm +/-0.1mm
B	0.25mm +/-0.1mm

Packaging Specifications

Packaging	T&R
Packaging Quantity	10000

General Information

Series	L-SMS
Style	SMD Chip
Description	Shielded, Surface Mount Inductor
Features	Standard Type
RoHS	Yes
Core	Ceramic
Winding Type	Multilayer

Specifications

Inductance	0.82 uH
Inductance Tolerance	10%
Temperature Range	-40/+85°C
Current	10 mAmps (MAX)
DC Resistance	1 Ohms
Quality Factor	20 at 10 MHz
Self-Resonant Frequency	65 MHz