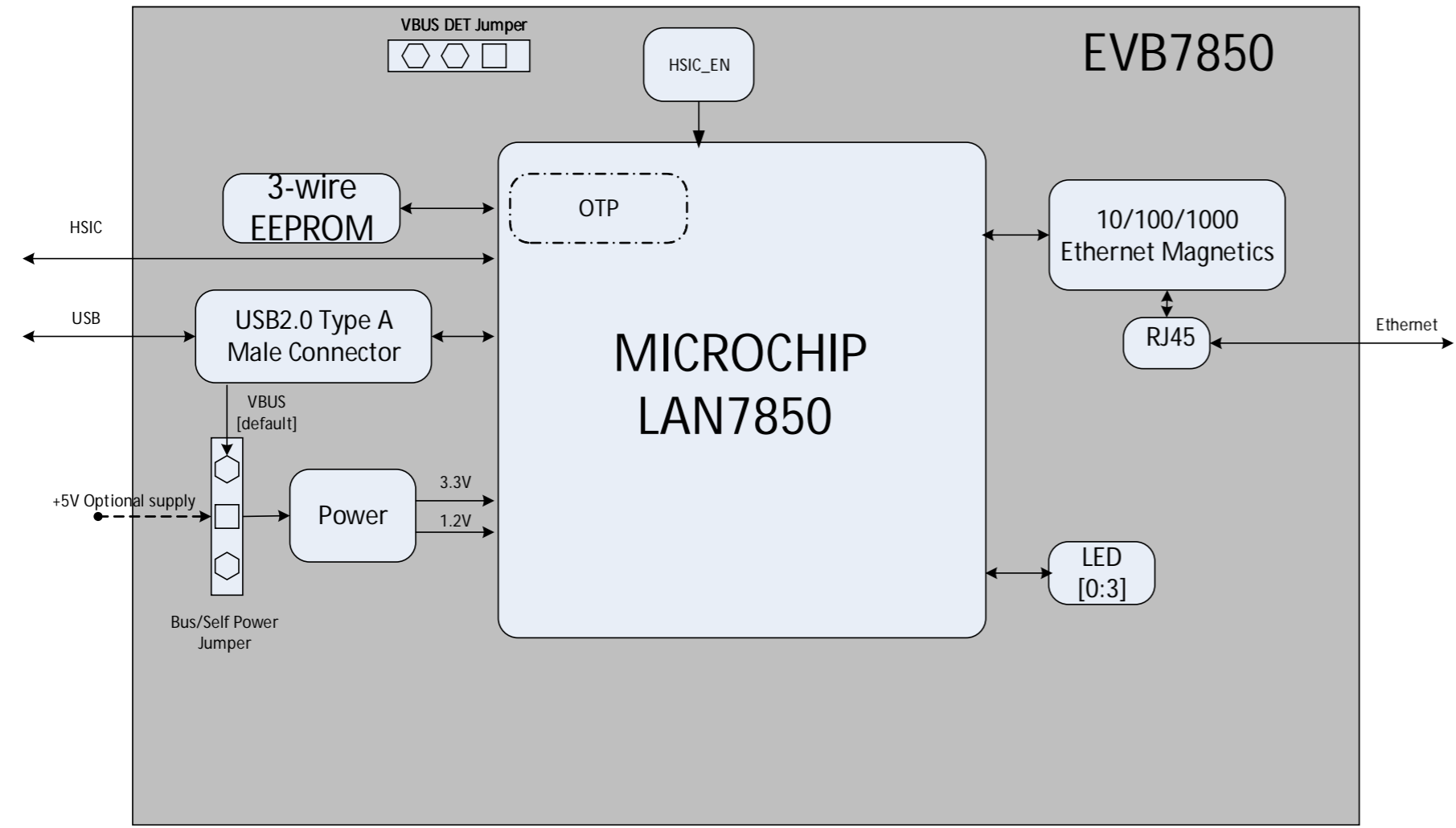
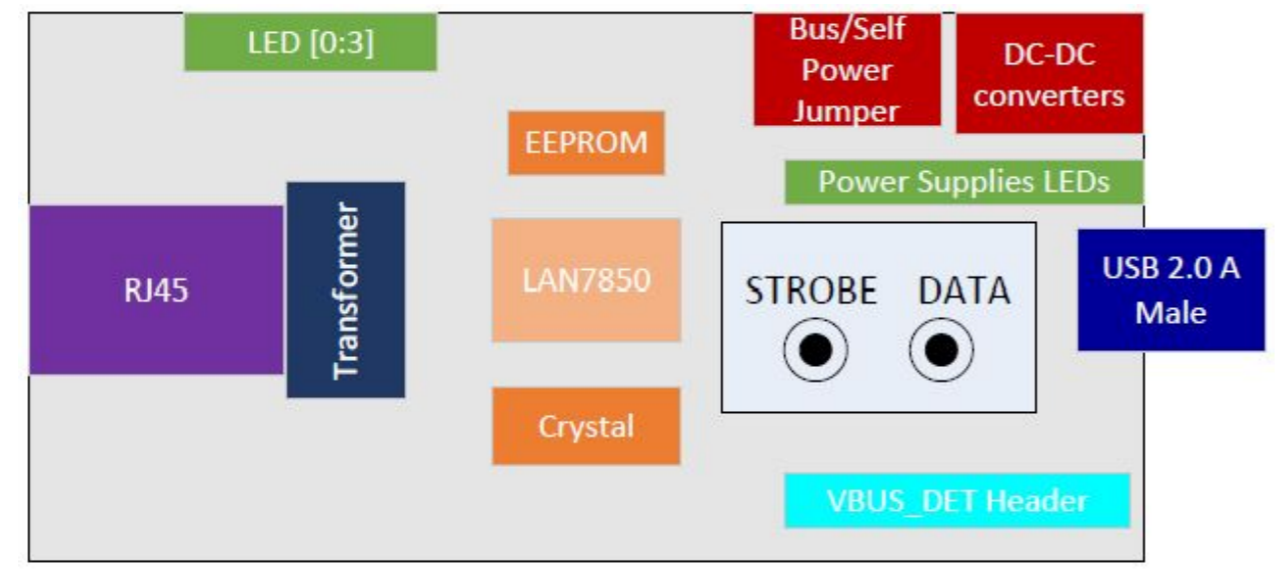


# EVB Block Diagram



Revision History			
Revision	Date	Revision Summary	Author
01A	4/28/2015	Initial schematic	Kiet tran
A	7/27/2015	Released	C. Johnson
A1	5/25/2016	Changed XTAL caps to 16pF. Released.	J. Hancock

# EVB Floor Plan



		Microchip Technology, Inc. USB/Network Group - UNG www.Microchip.com
Description: <b>EVB-LAN7850</b>		
Page Title: <b>Block Diagram</b>		
Project Name: <b>UNG8002_EVB-LAN7850</b>		PN: <b>UNG8002</b>
Size: B	Date: <b>5/25/2016</b>	Designer: <b>Kiet Tran</b>
Sheet 1 of 2		Rev A1

