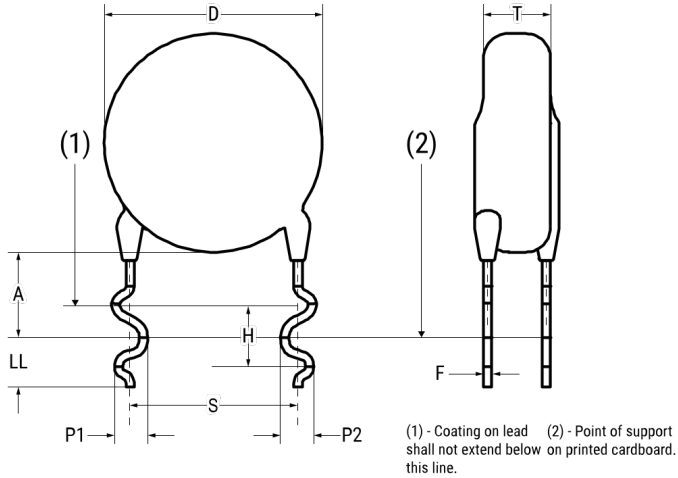


ERP610W221KQH0

Aliases (C831QH221K760XV761, ERP610VH3220KQH0)

Obsolete

ERP610 SFTY X1-760 Y1-500, Ceramic, 220 pF, 10%, 760 VAC (X1), 500 VAC (Y1), Y5T, Lead Spacing = 12.5mm



Click [here](#) for the 3D model.

Dimensions

D	8mm MAX
H	3.3mm +/-0.3mm
T	6mm MAX
S	12.5mm NOM
LL	3.5mm MIN
F	0.8mm +/-0.05mm
A	6mm +/-1.5mm
V	2.3mm +/-0.5mm

Packaging Specifications

Packaging Bulk, Bag

General Information

Series	ERP610 SFTY X1-760 Y1-500
Style	Radial Disc
Description	Ceramic Single Layer Safety Disc Capacitors
RoHS	Yes
Termination	Tin
Qualifications	UL, CSA, CAN, ENEC, VDE
AEC-Q200	No

Specifications

Capacitance	220 pF
Capacitance Tolerance	10%
Voltage AC	760 VAC (X1), 500 VAC (Y1)
Temperature Range	-40/+125°C
Temperature Coefficient	Y5T
Dissipation Factor	2.5%
Insulation Resistance	10 GOhms
Safety Class	X1/Y1