

MATERIAL

High-resilience polypropylene based (PP) technopolymer, black colour, matte finish.

INDICATOR HOUSING

Glass-fibre reinforced polyamide based (PA) technopolymer, black colour, matte finish.

REVOLVING HANDLE

l.621+x (see page 406) in polyamide based (PA) technopolymer, black colour, matte finish.

STANDARD EXECUTIONS

Black-oxide steel boss, H7 reamed hole, fitting to shaft by means of a supplied grub screw with hexagon socket and cup end UNI 5929-85.

- **VRTP-GXX2:** without handle.
- **VRTP-GXX2+I:** con impugnatura.
- Executions -K with hole and keyway in compliance with DIN 6885/1 (see page A-16), tolerance.
- **VRTP-GXX2-K:** senza impugnatura.
- **VRTP-GXX2+I-K:** con impugnatura girevole.

INDICATOR CHOICE (TO BE ORDERED SEPARATELY)

VRTP-XX two-spoke handwheels can be used with analogue and digital-analogue gravity indicators.

To choose the indicator see the table below for possible assembly with indicators.

See also "Assembly instructions" for gravity indicators (on page 460).

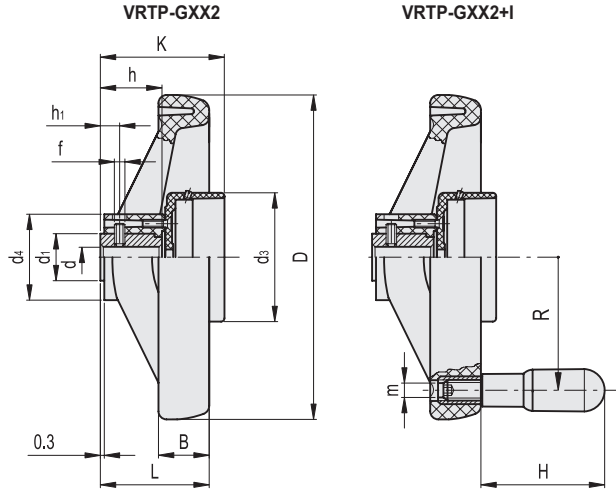
SPECIAL EXECUTIONS ON REQUEST

Execution with hand reset: the indicator reading can be reset in any position within the positioning range, so that further readings can be referred to the reset point. To reset the reading turn the indicator housing until the two pointers reach the zero position, by keeping the indicator body still. By so doing the relevant position (phase) between the indicator and the handwheel can be changed by a small effort, but enough to avoid any accidental phase displacement.



ELESA Original design

Conversion Table 1 mm = 0.039 inch	
D	
mm	inch
160	6.24
200	7.80
250	9.75



VRTP-GXX2

METRIC

Code	Description	D	L	dH7	h	d1	d3	d4	f	h1	B	K	⚖	Handwheel/indicator combinations
CE.33111-R	VRTP.160-GXX2 A-14	160	51	14	27	26	76	40	M8	12	25	63	340	GA02 - GA12 - GW12
CE.33211-R	VRTP.200-GXX2 A-16	200	61	16	34	30	76	48.5	M8	12	28	70	540	GA02 - GA12 - GW12
CE.33311-R	VRTP.250-GXX2 A-20	250	70	20	38	35	76	58	M8	12	32	74	790	GA02 - GA12 - GW12

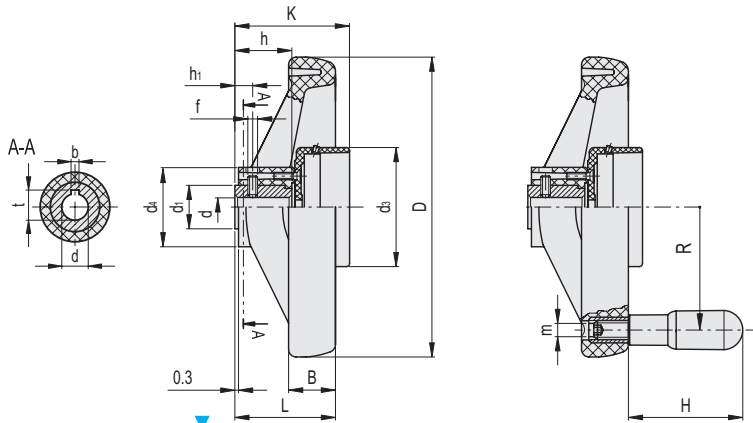
VRTP-GXX2+I

METRIC

Code	Description	D	L	dH7	h	d1	d3	d4	f	h1	B	K	H	m	R	⚖	Handwheel/indicator combinations
CE.33121-R	VRTP.160-GXX2 A-14+I	160	51	14	27	26	76	40	M8	12	25	63	80	M8	65	425	GA02 - GA12 - GW12
CE.33221-R	VRTP.200-GXX2 A-16+I	200	61	16	34	30	76	48.5	M8	12	28	70	80	M8	84	625	GA02 - GA12 - GW12
CE.33321-R	VRTP.250-GXX2 A-20+I	250	70	20	38	35	76	58	M8	12	32	74	90	M10	105	890	GA02 - GA12 - GW12

VRTP-GXX2-K

VRTP-GXX2+I-K



VRTP-GXX2-K

METRIC

Code	Description	D	L	dH7	h	t	b	d1	d3	d4	f	h1	B	K	⚖	Handwheel/indicator combinations
CE.33111-R-K	VRTP.160-GXX2 A-14-K	160	51	14	27	16.3	5	26	76	40	M8	12	25	63	340	GA02 - GA12 - GW12
CE.33211-R-K	VRTP.200-GXX2 A-16-K	200	61	16	34	18.3	5	30	76	48.5	M8	12	28	70	540	GA02 - GA12 - GW12
CE.33311-R-K	VRTP.250-GXX2 A-20-K	250	70	20	38	22.8	6	35	76	58	M8	12	32	74	790	GA02 - GA12 - GW12

VRTP-GXX2+I-K

METRIC

Code	Description	D	L	dH7	h	t	b	d1	d3	d4	f	h1	B	K	H	m	R	⚖	Handwheel/indicator combinations
CE.33121-R-K	VRTP.160-GXX2 A-14+I-K	160	51	14	27	16.3	5	26	76	40	M8	12	25	63	80	M8	65	425	GA02 - GA12 - GW12
CE.33221-R-K	VRTP.200-GXX2 A-16+I-K	200	61	16	34	18.3	5	30	76	48.5	M8	12	28	70	80	M8	84	625	GA02 - GA12 - GW12
CE.33321-R-K	VRTP.250-GXX2 A-20+I-K	250	70	20	38	22.8	6	35	76	58	M8	12	32	74	90	M10	105	890	GA02 - GA12 - GW12

