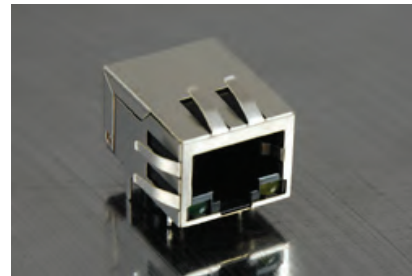




- 10/100 Base-T Ethernet Application
- Impedance: 100OHMS
- Transmit open circuit inductance (OCL): 350uH (MIN) @100KHz  
0.1VRMS with 8mA DC Bias
- Rise Time: 2.5nano-seconds from 10 to 90 percent
- Industrial Temp: -40°C to +85°C
- Contact Factory for Standard Temp.

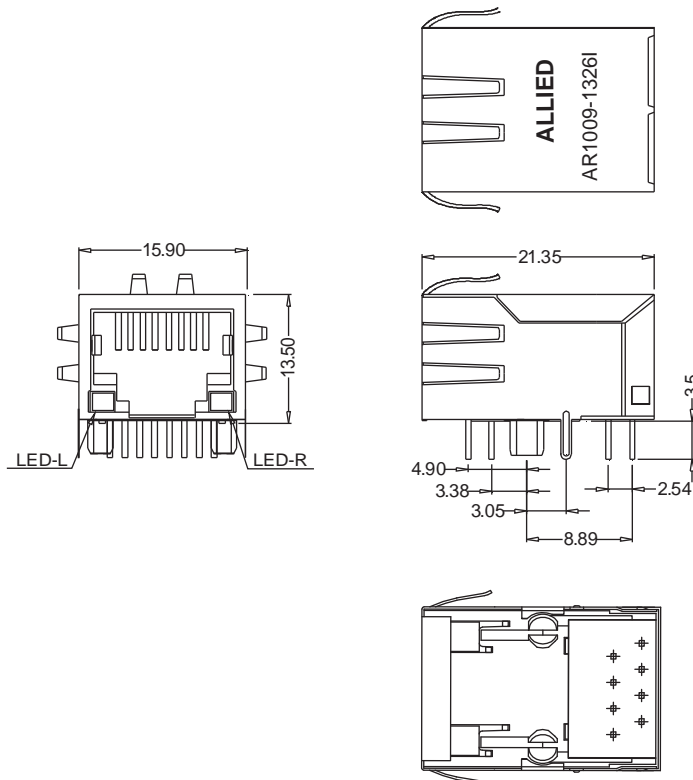


Electrical Specifications @25°C								
Part Number	OCL(uH min) @100KHz/0.1V with 8mA DC Bias	Turns Ratio chip: cable (±2%)	EMI Fingers	LED (L/R)	Insertion Loss (dB Max)	Return Loss (dB Min)		
					1-100MHz	1-30MHz	30-60MHz	60-80MHz
AR1009-1326I	350	1CT:1CT	YES	G/Y	1.0	-18	18-20*LOG(F/30)	-12

Electrical Specifications @25°C												
Part Number	Cross talk (dB Min)					CMR (dB Min)					HI-POT (VDC)	HI-POT Test 1.0mA/3Sec.
	0.5-1MHz	10 MHz	30 MHz	50 MHz	100 MHz	0.3-1MHz	10 MHz	30 MHz	60 MHz	100 MHz		
AR1009-1326I	-50	-50	-40	-35	-30	-50	-47	-42	-37	-30	2250	1500 Vrms

All specifications subject to change without notice.

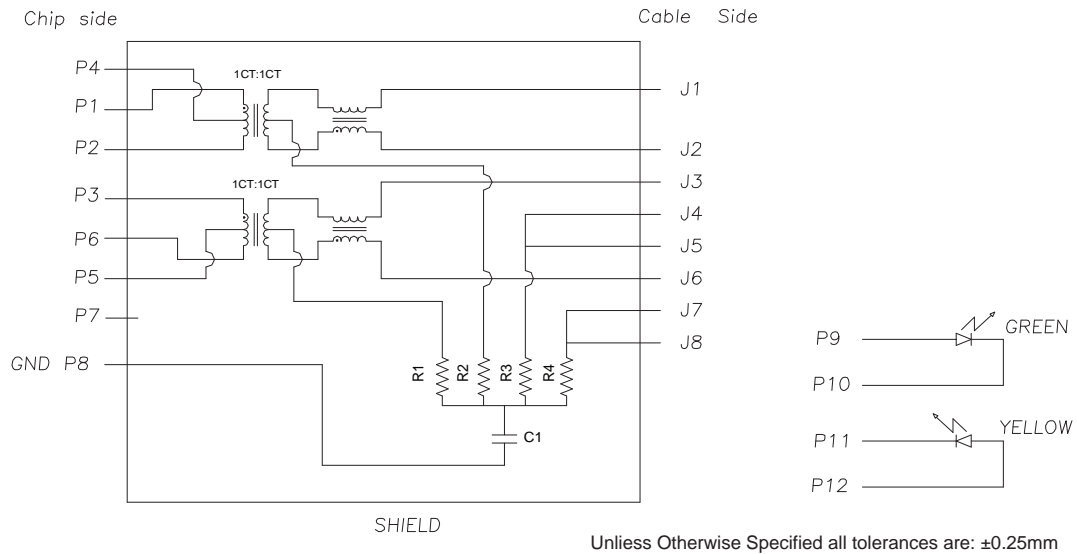
MECHANICAL



Unless otherwise specified all tolerances are: ±0.25 in mm



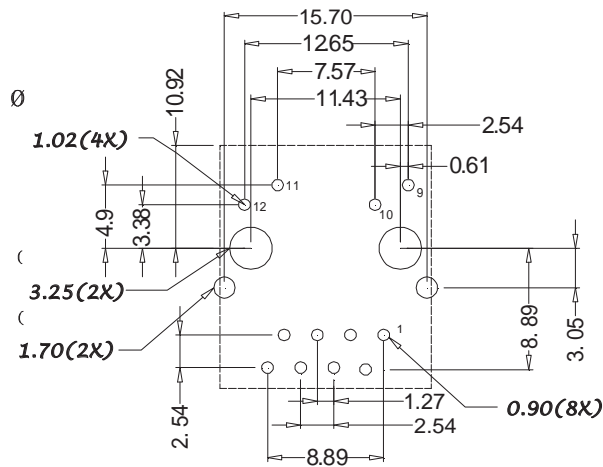
**SCHEMATICS:**



Notes:

1. R1-R4=75 Ohms, 1/16W, 5% Resisitors.
2. C1=1000pF, 2KV Decouping Capacitor.
3. LED Compliant with IEC60825-1 Safety of Laser Products when operated up to 20mA.
4. LED Forward Voltage: 2.1V(TYP), LED Power Dissipation: 105mW. LED Peak Wavelength: Green=565nm, Yellow=585Nm

**PCB Layout:**



All Dimensions Tolerances Unless Otherwise Specified are:  $\pm 0.05\text{mm}$

Materials and Finish:

- Housing: Flammability Rating 94V-O.
- Shell: C2680 Brass, 0.25mm thick, 30+50u" nickel plating.
- Mod Jack Contact: Phosphor Bronze, 0.35mm thick, Gold Plated.
- LED: Diffused Epoxy Lens, 0.5x0.5mm Carbon Steel wireframe leads.