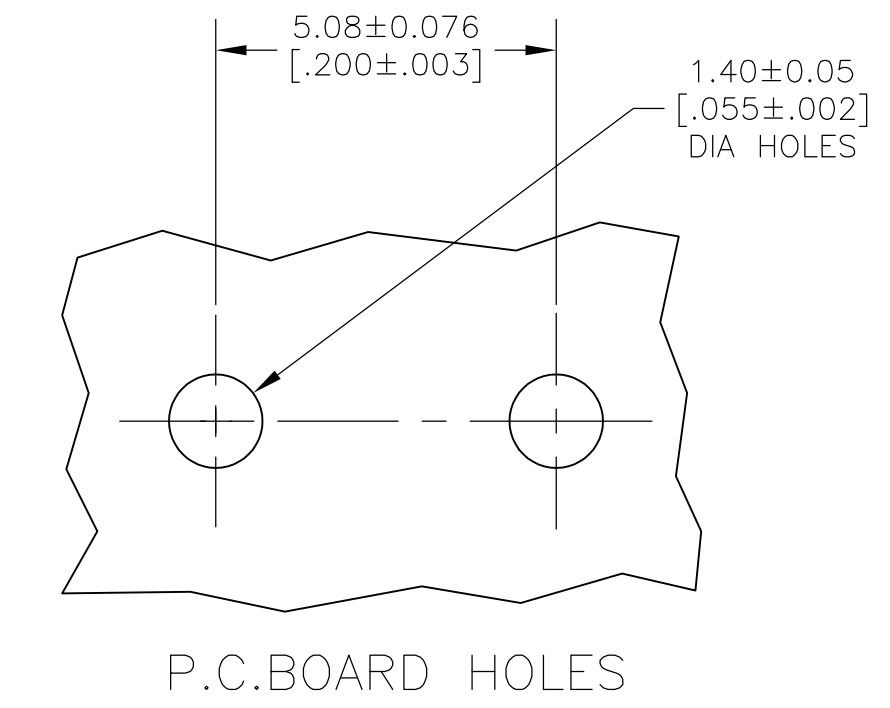
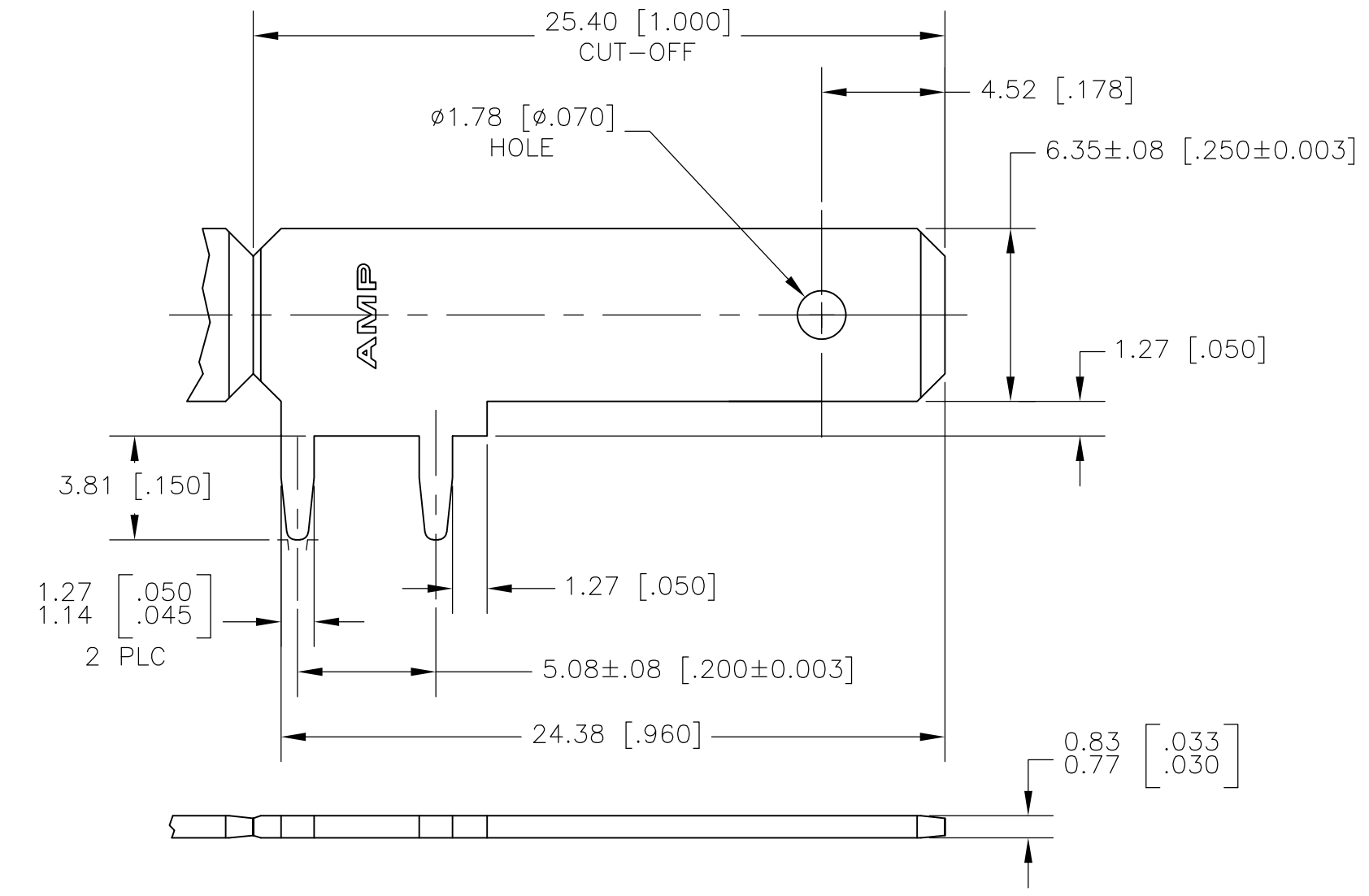


THIS DRAWING IS UNPUBLISHED. RELEASED FOR PUBLICATION
 © COPYRIGHT - By - ALL RIGHTS RESERVED.

LOC	DIST	REVISIONS					
AF	50	P	LTR	DESCRIPTION	DATE	DWN	APVD
		G		REVISED PER ECR-13-001204	24JUN13	KH	PD

- 1 CONTINUOUS STRIP ON REELS.
- 2 0.00381 [.000150] MIN TIN OVER
0.00127 [.000050] MIN NICKEL.



63952-1
PART NO.

THIS DRAWING IS A CONTROLLED DOCUMENT.		DWN	JR RUTH	11DEC00	 TE Connectivity	NAME		TAB, FASTON, 6.35 [.250] SERIES			
DIMENSIONS: mm [INCHES]		CHK	MS FEHER	11DEC00		APVD		G PORTA		RESTRICTED TO	
TOLERANCES UNLESS OTHERWISE SPECIFIED:		PRODUCT SPEC	-			APPLICATION SPEC		114-2115			
0 PLC ± - 1 PLC ± - 2 PLC ± 0.25 [.010] 3 PLC ± - 4 PLC ± - ANGLES ± -		FINISH	2			SIZE	A3	CAGE CODE	00779	DRAWING NO	C-63952
MATERIAL		BRASS		CUSTOMER DRAWING		WEIGHT	-		SCALE	5:1	
						SHEET		1 OF 1		REV	G