

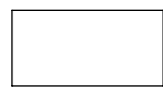
TABLE 1

MOLEX P/N	ENG. NO.	CABLE LENGTH (mm)	LED
1202470016	BEB803P-FBW-05	5000	YES
1202470017	BEB803P-FBW-10	10000	YES
1202470018	BEB803P-FBW-15	15000	YES
1202470019	BEB803P-FBW-20	20000	YES
1202470052	BEB8030-FBW-05	5000	NO
1202470053	BEB8030-FBW-10	10000	NO
1202470054	BEB8030-FBW-15	15000	NO

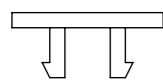
TABLE 2

ITEM	COMPONENT	MATERIAL	FINISH
1	INSERT	POLYESTER	BLACK
2	CONTACT SOCKET	COPPER ALLOY	GOLD OVER NICKEL
3	O-RING	VITON	RED
4	RECEPTACLE SHELL	BRASS	NICKEL PLATED
5	HOUSING	PBT	BLACK
6	CABLE	TPU	BLACK
7	LABEL	ABS	WHITE
8	LABEL ADHESIVE	PE	WHITE
9	CABLE PLATE	PBT	BLACK
10	LED	NO LED = PA	BLACK
		WITH LED = PA	TRANSPARENT
11	RESIN	EPOXY	TRANSPARENT

SCALE 2:1

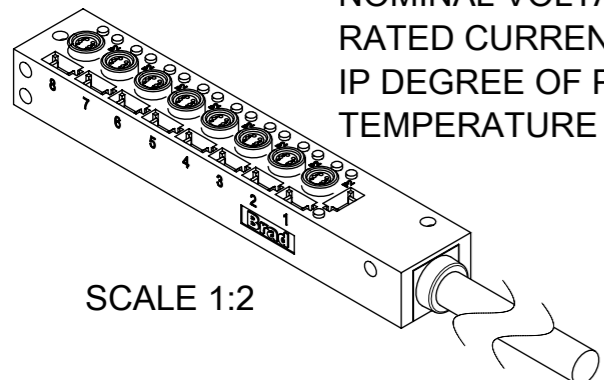


LABEL
9x packed in a bag.

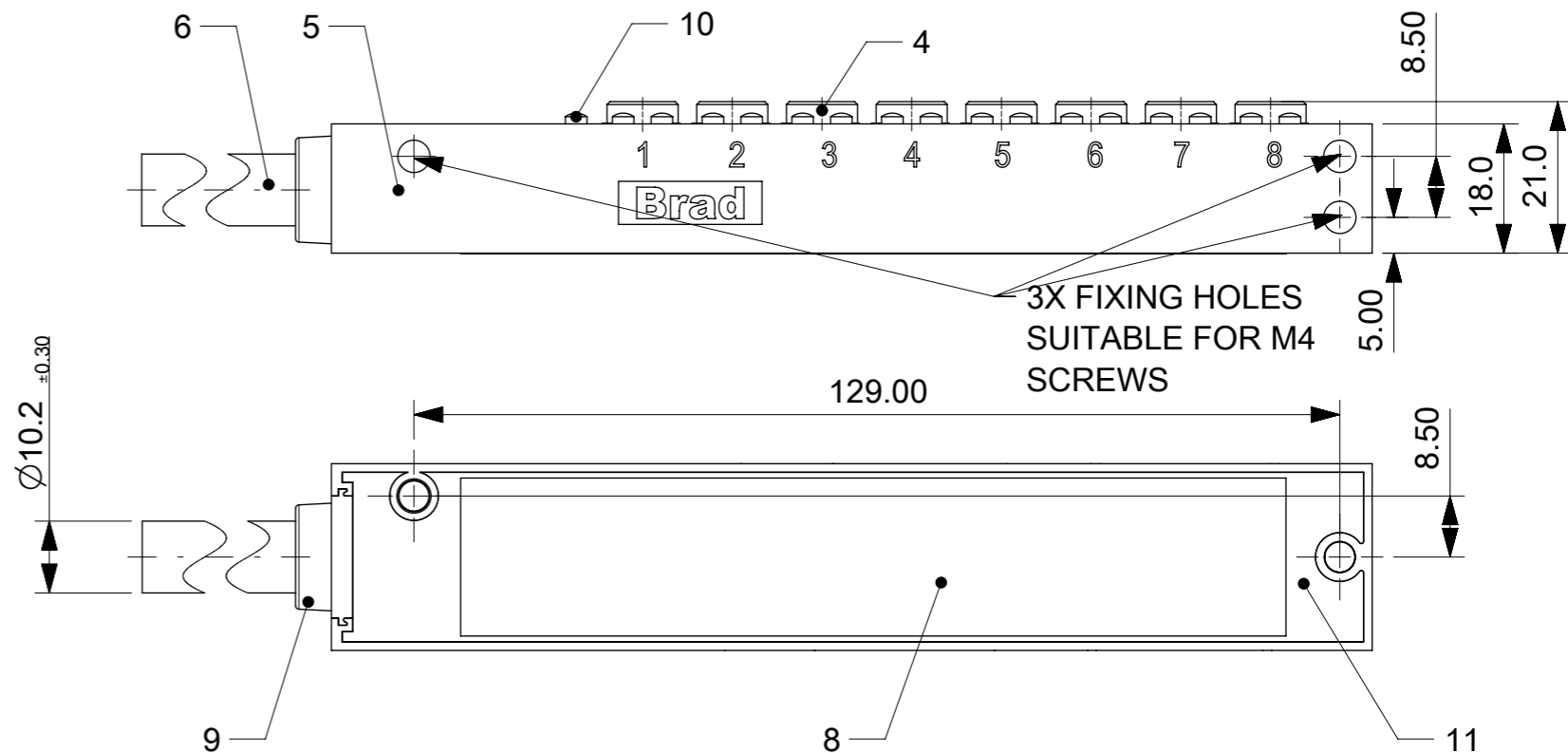
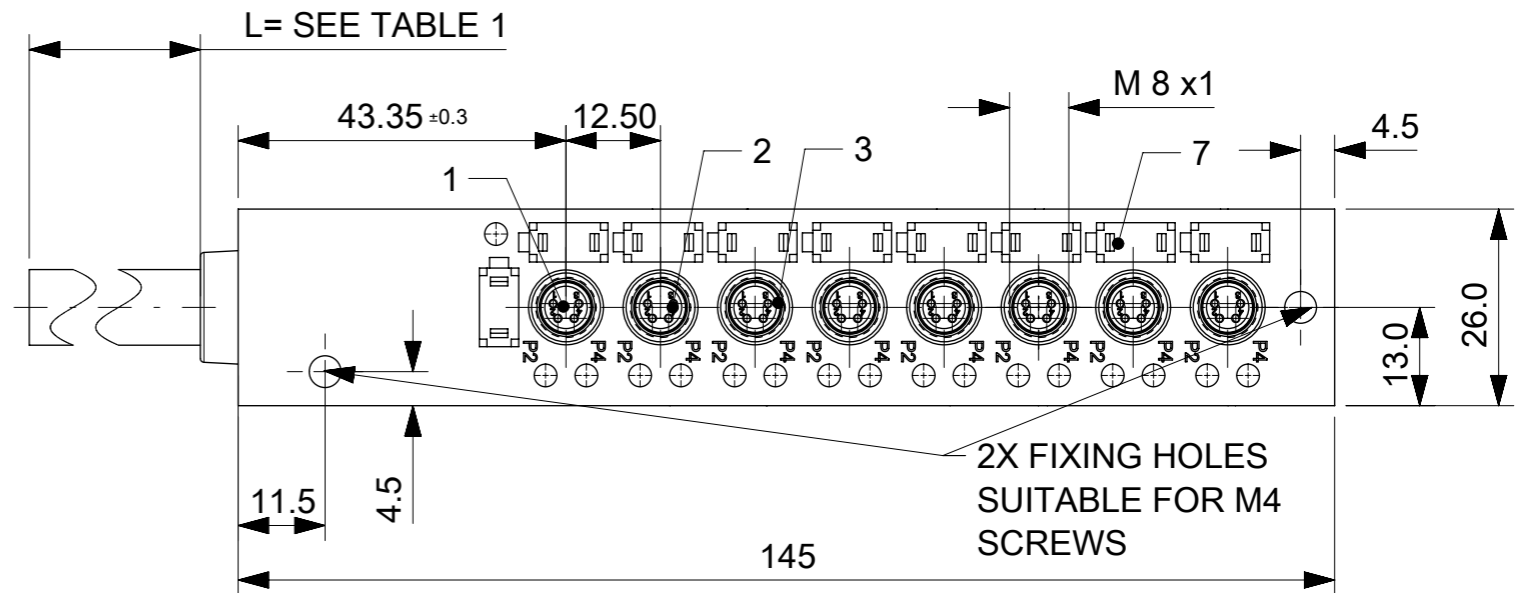


GENERAL CHARACTERISTICS:

NOMINAL VOLTAGE: 24 V DC
 RATED CURRENT: 2 A PER PORT / 6 A MAX: TOTAL
 IP DEGREE OF PROTECTION: IP 68
 TEMPERATURE RANGE: -25°C to + 85°C



SCALE 1:2

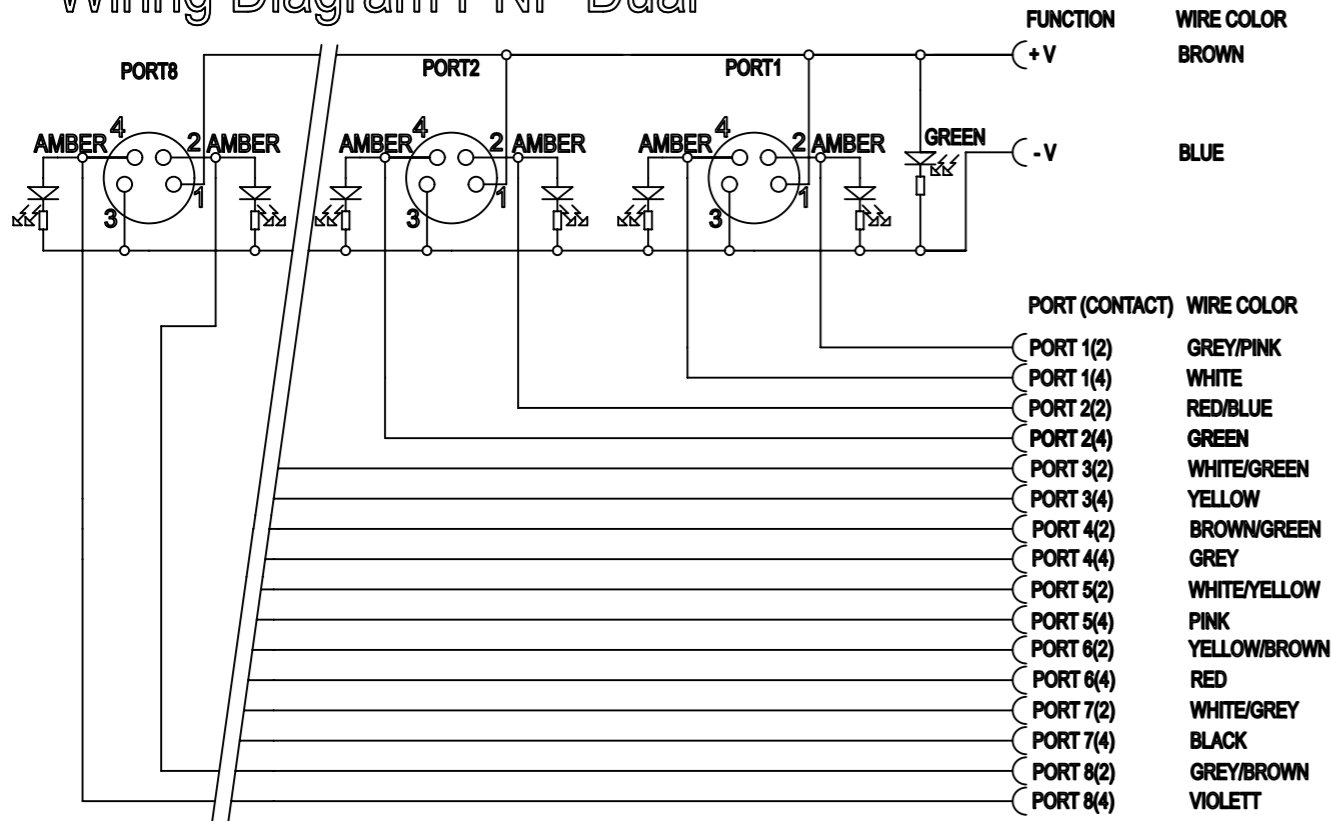


CABLE LENGTH TOLERANCES

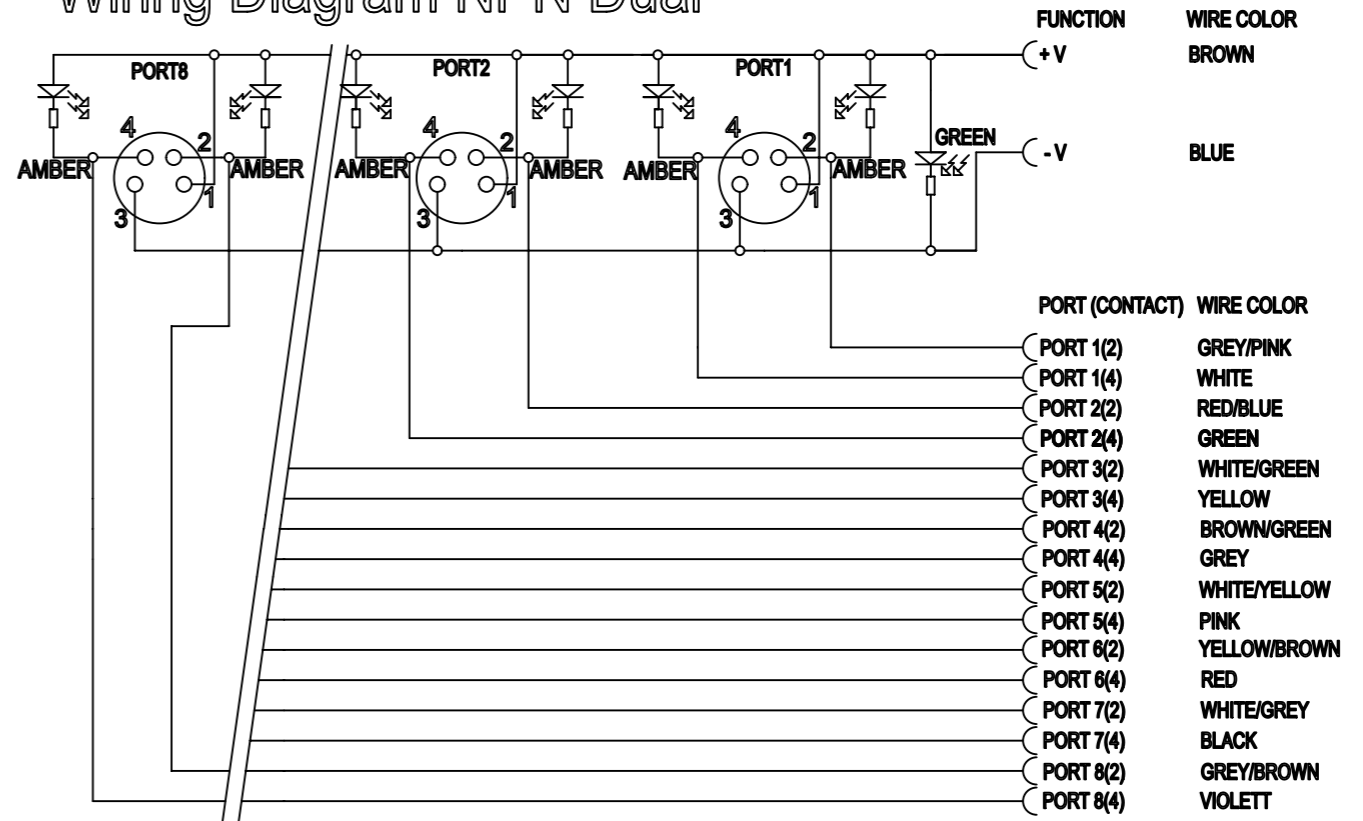
LENGTH	TOLERANCE
0m-1m	+40 mm
>1m-5m	+60 mm
>5m-10m	+80 mm
>10m-20m	+140 mm
>20m-30m	+160 mm
>30m	+1% length

FUNCTIONAL SYMBOLS ∇A = 0 ∇E = 0 ∇F = 0	THIS DRAWING CONTAINS INFORMATION THAT IS PROPRIETARY TO MOLEX ELECTRONIC TECHNOLOGIES, LLC AND SHOULD NOT BE USED WITHOUT WRITTEN PERMISSION	CURRENT REV DESC: ADDED CABLE TOLERANCE TABLE			
	DIMENSION UNITS: mm	SCALE: 1:1	MPIS M8 PNP NPN NOS 4P 8PT BK XM DUAL		
DIVISIONAL SYMBOLS	GENERAL TOLERANCES (UNLESS SPECIFIED)	ANGULAR TOL ± °		PRODUCT CUSTOMER DRAWING	
	4 PLACES ±	3 PLACES ±	2 PLACES ± 0.2	1 PLACE ± 0.3	0 PLACES ± 0.5
DRAFT WHERE APPLICABLE MUST REMAIN WITHIN DIMENSIONS		THIRD ANGLE PROJECTION	DRAWING: A3-SIZE	SERIES: 120247	MATERIAL NUMBER: SEE TABLE 1
EC NO: 699789		DRWN: MDHARMANTI	2022/03/11	DOCUMENT NUMBER: 1202470016	
CHK'D: RSILLER		2022/03/17	DOC TYPE: PSD		DOC PART: 000
APPR: RSILLER		2022/03/17	REVISION: B1		1 OF 2
INITIAL REVISION:		DRWN: ULETTENMEIER	2015/01/20	CUSTOMER: GENERAL MARKET	
APPR: RSILLER		2015/04/22	SHEET NUMBER: 1 OF 2		

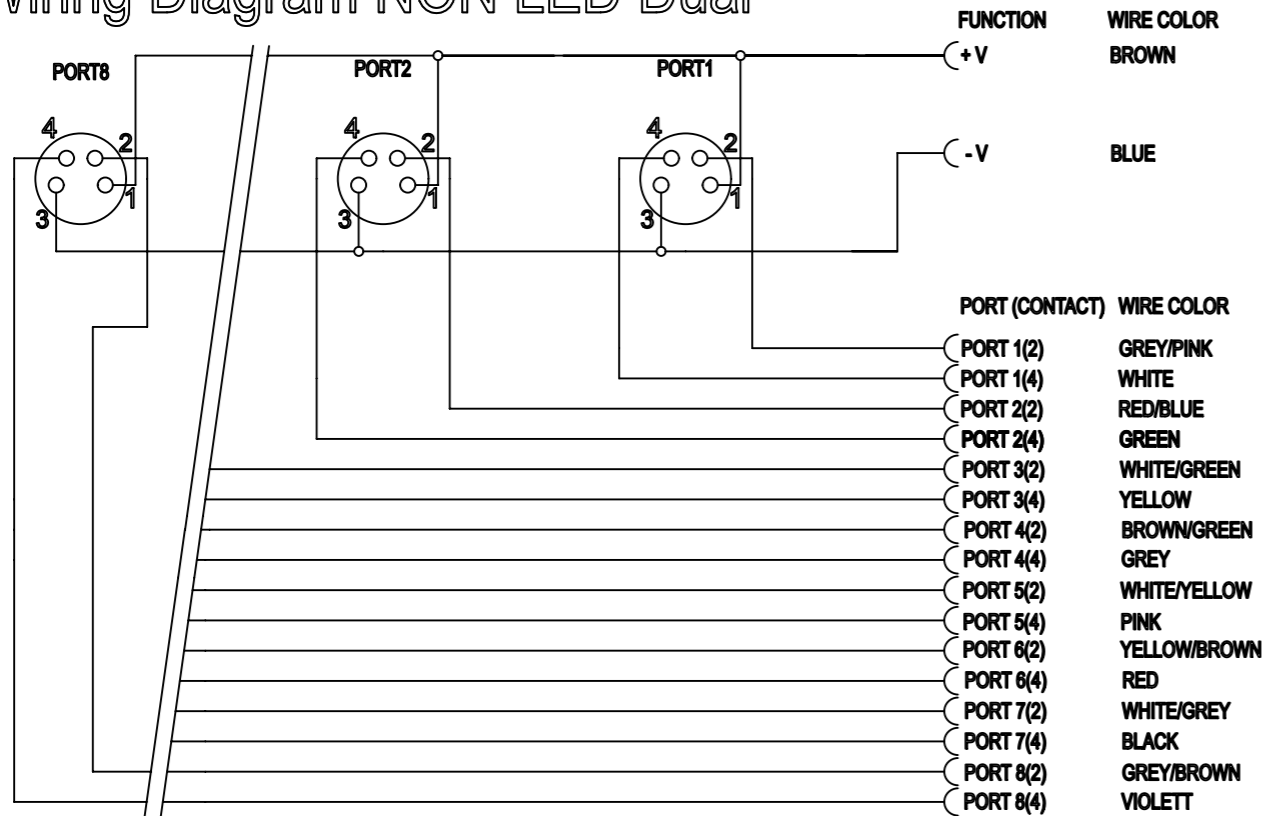
Wiring Diagram PNP Dual



Wiring Diagram NPN Dual



Wiring Diagram NON LED Dual



FUNCTIONAL SYMBOLS	THIS DRAWING CONTAINS INFORMATION THAT IS PROPRIETARY TO MOLEX ELECTRONIC TECHNOLOGIES, LLC AND SHOULD NOT BE USED WITHOUT WRITTEN PERMISSION				
	$\nabla_A = 0$ $\nabla_E = 0$ $\nabla_V = 0$	DIMENSION UNITS: mm SCALE: 1:1 GENERAL TOLERANCES (UNLESS SPECIFIED) ANGULAR TOL: ± °			
DIVISIONAL SYMBOLS	4 PLACES ±	INITIAL REVISION: DRWN: ULETTENMEIER 2015/01/20 APPR: RSILLER 2015/04/22	PRODUCT CUSTOMER DRAWING		
	3 PLACES ±		DOCUMENT NUMBER	DOC TYPE	DOC PART
	2 PLACES ± 0.2		1202470016	PSD	000
	1 PLACE ± 0.3				
0 PLACES ± 0.5					
DRAFT WHERE APPLICABLE MUST REMAIN WITHIN DIMENSIONS		THIRD ANGLE PROJECTION	DRAWING	SERIES	SHEET NUMBER
			A3-SIZE	120247	2 OF 2