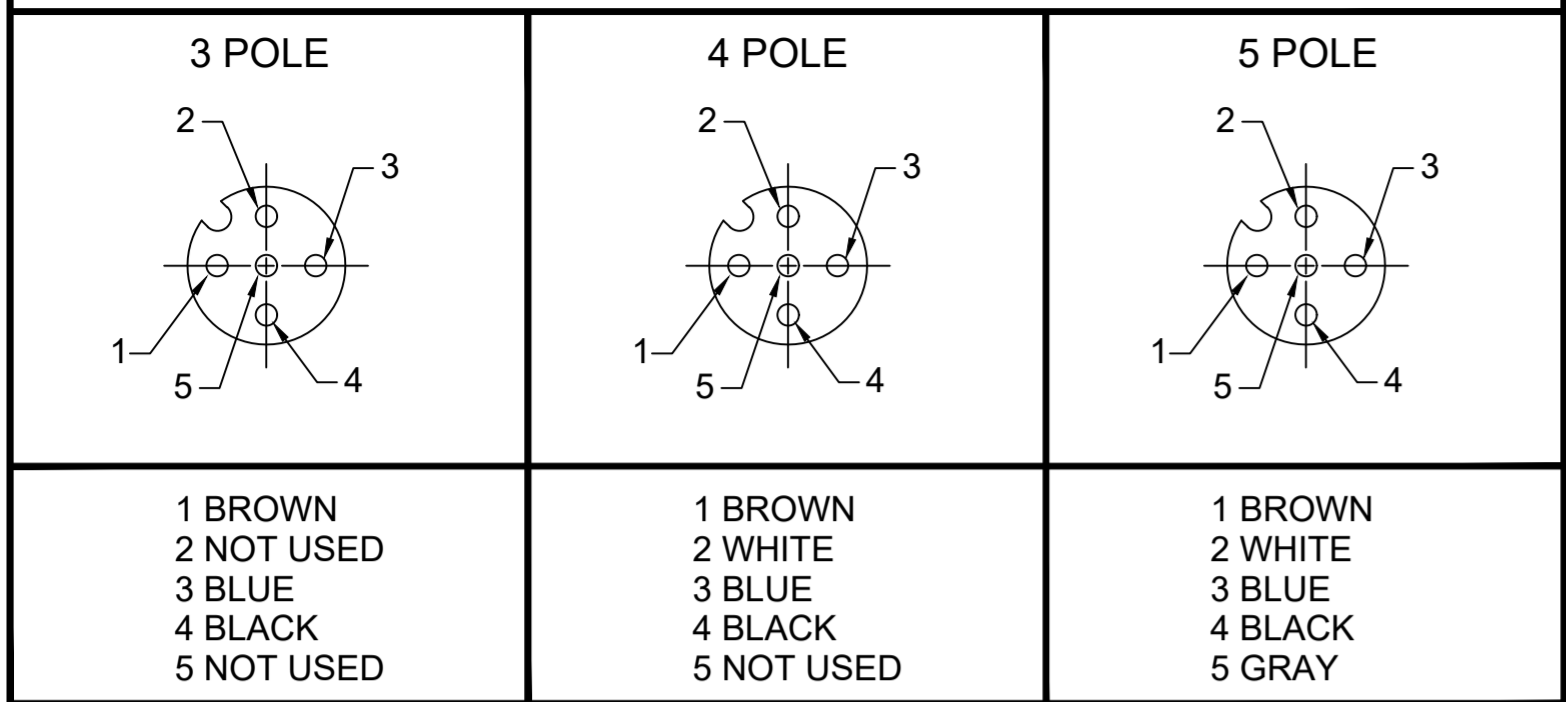


FACE VIEW - FEMALE INSERT



- |  |   |   |
|--|---|---|
| 1 BROWN<br>2 NOT USED<br>3 BLUE<br>4 BLACK<br>5 NOT USED | 1 BROWN<br>2 WHITE<br>3 BLUE<br>4 BLACK<br>5 NOT USED | 1 BROWN<br>2 WHITE<br>3 BLUE<br>4 BLACK<br>5 GRAY |
|--|---|---|

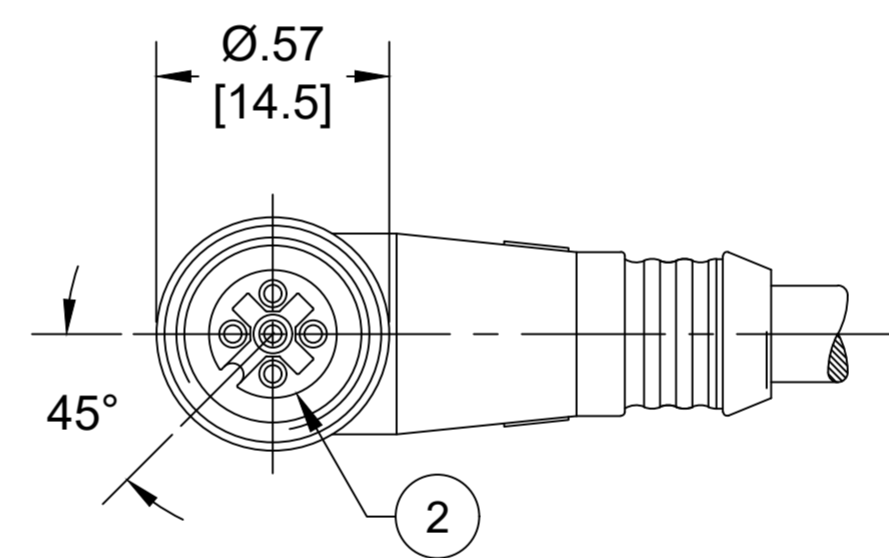
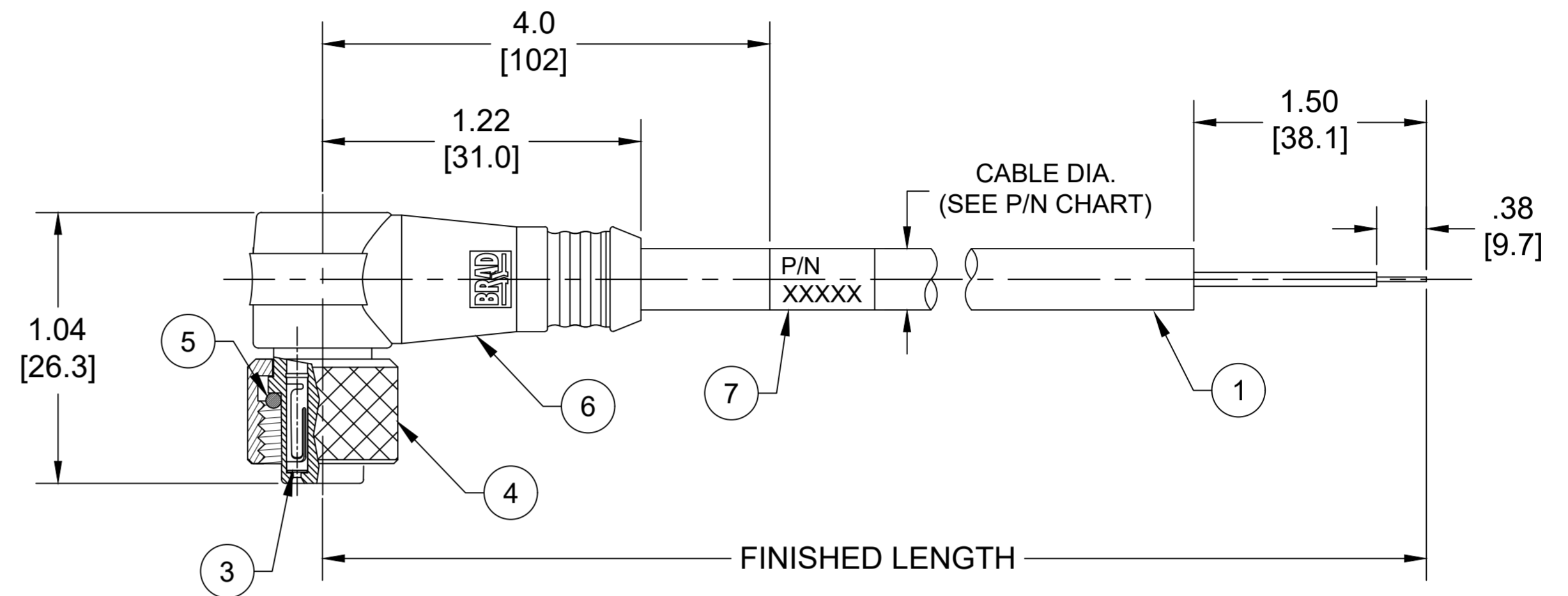
- NOTES:
- MATERIAL: AS NOTED
  - FINISH: AS NOTED
  - ELECTRICAL:  
VOLTAGE: 250V  
CURRENT: 4A
  - TEMP RATING: -20° TO +105°C (B)
  - PROTECTION: IP67 (WHEN MATED)
  - COUPLING THREAD: M12X1
  - UL RECOGNIZED FILE: E152210  
CSA CERTIFIED FILE: LR6837
  - ALL DIMENSIONS ARE FOR REFERENCE  
UNLESS TOLERANCED OR NOTED OTHERWISE

CABLE FLEX CHARACTERISTICS

TORSIONAL FLEX TEST	10 MILLION CYCLES PER MIL-C-13777G
BEND FLEX TEST	10 MILLION CYCLES PER MIL-C-13777G
WELD SLAG RESISTANCE	WOODHEAD STANDARD S-300

7	WRAP LABEL	VINYL	BLACK/YELLOW
6	OVERMOLD	TPC	YELLOW
5	O-RING	VITON	RED
4	COUPLING NUT	BRASS	NICKEL PLATED
3	CONTACT SOCKET	COPPER ALLOY	GOLD OVER NICKEL
2	FEMALE INSERT	PUR	BLACK
1	#22 AWG CABLE	TPE JACKET	YELLOW
ITEM	DESCRIPTION	MATERIAL	FINISH

PART NO	ENGINEERING NO.	FINISHED LENGTH	POLES	CABLE DIA.
1200651489	803001K05M020	2M [6FT 7 IN]	3	.20 [5.1]
1200651995	804001K05M250	25M [82FT]	4	.21 [5.3]
1200652460	805001K05M300	30M [98FT 5 IN]	5	.23 [5.8]



PART NO. MATRIX  
803001K05M010

POLES (3, 4 & 5)  
FINISHED LENGTH  
M005 = 0.5 METER  
M010 = 1 METER  
M100 = 10 METER

CABLE LENGTH TOLERANCES

<.3M [1FT]	+19mm-0 [+1.75in-0]
.3 - .9M [1 - 3FT]	+44.5mm-0 [+1.75in-0]
.9 - 1.8M [3 - 6FT]	+55.6mm-0 [+2.19in-0]
1.8 - 3.7M [6 - 12FT]	+88.9mm-0 [+3.50in-0]
3.7 - 7.3M [12 - 24FT]	+165.1mm-0 [+6.50in-0]
7.3-14.6M [24 - 48FT]	+317.5mm-0 [+12.50in-0]
14.6 - 30.5M [48-100FT]	+622.3mm-0 [+24.50in-0]
OVER 30M [100FT]	+2% OF FINISHED LENGTH

THIS DRAWING CONTAINS INFORMATION THAT IS PROPRIETARY TO MOLEX ELECTRONIC TECHNOLOGIES, LLC AND SHOULD NOT BE USED WITHOUT WRITTEN PERMISSION

FUNCTIONAL SYMBOLS	DIMENSION UNITS INCH/MM	SCALE NTS	CURRENT REV DESC: ITEM #6 WAS TPE. MODIFIED TEMP RATING & PN CHART.
FA=0	GENERAL TOLERANCES (UNLESS SPECIFIED)	mm INCH	EC NO: 671333
FC=0	4 PLACES ±----	±----	DRWN: ABENJAMINLW 2021/04/27
FD=0	3 PLACES ±----	±----	CHK'D: RSTONE 2021/07/23
DIVISIONAL SYMBOLS	2 PLACES ±----	±----	APPR: BWOODMAN 2021/07/28
	1 PLACE ±----	±----	INITIAL REVISION:
	0 PLACES ±----	±----	DRWN: RSTONE 2018/10/25
	ANGULAR TOL ± ---- °		APPR: BWOODMAN 2018/11/30
	DRAFT WHERE APPLICABLE MUST REMAIN WITHIN DIMENSIONS	THIRD ANGLE PROJECTION	DRAWING C-SIZE
			SERIES 120065
			MATERIAL NUMBER SEE CHART
			CUSTOMER GENERAL MARKET
			SHEET NUMBER 1 OF 1

PRODUCT CUSTOMER DRAWING

DOCUMENT NUMBER SD-120065-113 DOC TYPE/DOC PART REVISION PSD 001 B