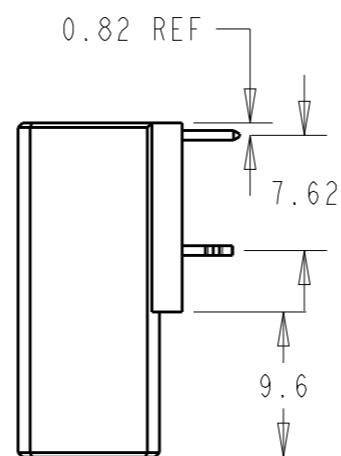
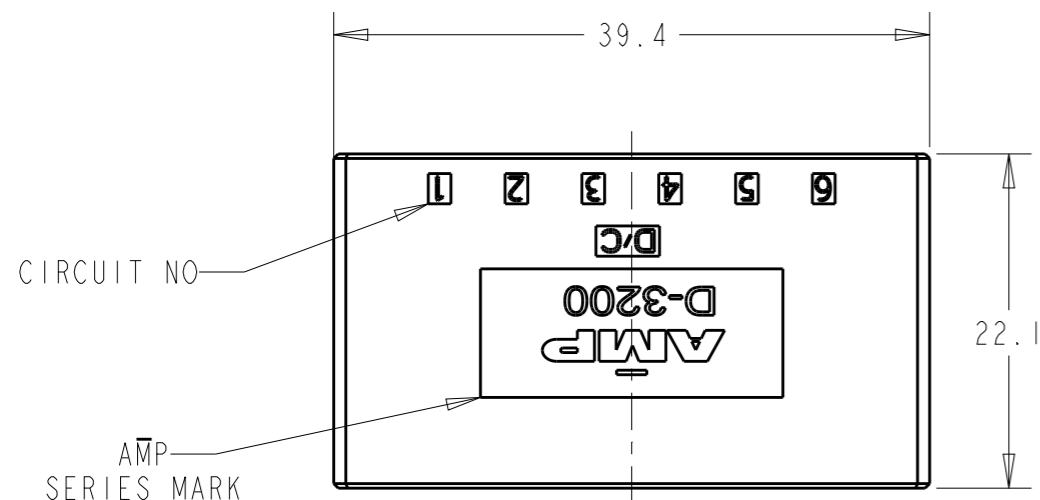


P	LTR	DESCRIPTION	DATE	DWN	APVD
O		REVISED (FJ00-2557-95)	31JUL1995	KI	YI
A		REVISED (FLD0-0114-03)	25APR2003	TS	SM
B		REVISED (FLD0-0039-03)	02JUN2003	TS	SM
BI		REVISED PER ECR-20-011916	24AUG2020	A.W	R.B

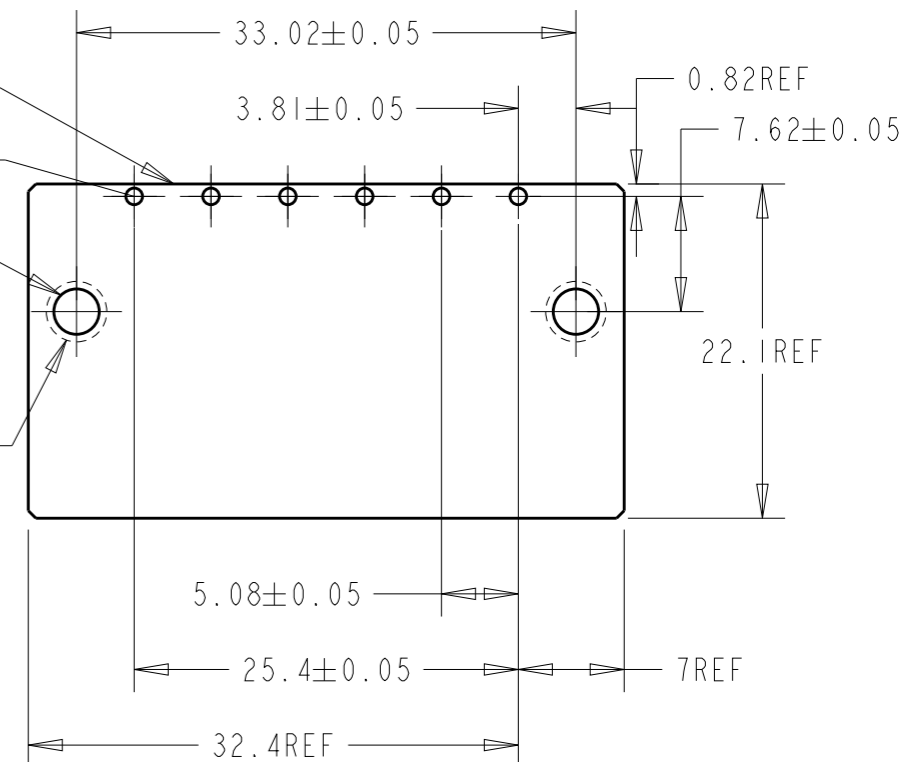


OUTLINE OF HEADER HOUSING

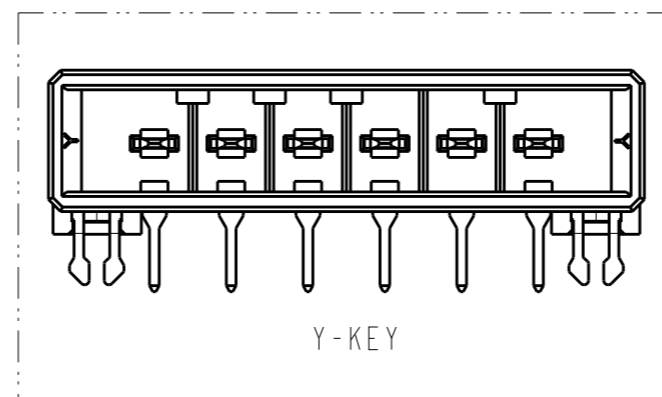
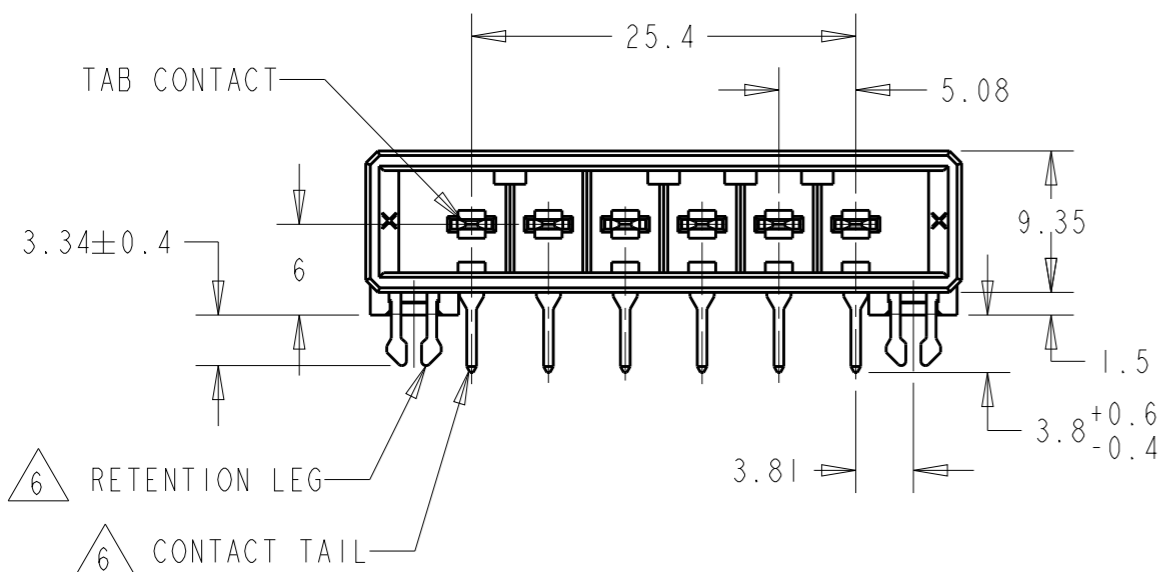
DIA 1.1±0.1 6PLACES

DIA 3±0.1 2PLACES

ROUND DIA 4MIN 2PLACES



RECOMEND PC BOARD HOLE PATTERN  
PC BOARD THICKNESS: 1.6±0.1  
(NOT ACCUMULATE TOLERANCE)  
(CONNECTOR MOUNT SIDE)



△6	△4	2-316131-5	Y
△6	△3	2-316131-3	Y
△6	△2	2-316131-2	Y
△6	△4	1-316131-5	X
△6	△3	1-316131-3	X
△6	△2	1-316131-2	X
(FINISH)	(PART NO)	KEY	

NOTE  
1. MATERIAL: HOUSING: GLASS FILED THERMO PLATIC, POLYESTER  
CONTACT: COPPER ALLOY  
RETENTION LEG: COPPER ALLOY

△2. FINISH (CONTACT AREA); 0.38µm MIN GOLD PLATING OVER Ni PLATING

△3. FINISH (CONTACT AREA); 0.76µm MIN GOLD PLATING OVER Ni PLATING

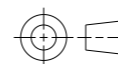
△4. FINISH (CONTACT AREA); 2.0µm MIN TIN PLATED OVER NICKEL

△5. ~~FINISH (RETENTION LEG): TIN LEAD PLATED (CONTACT TAIL) OVER NICKEL~~

△6. FINISH (RETENTION LEG): TIN-PLATED (CONTACT TAIL) OVER NICKEL

THIS DRAWING IS A CONTROLLED DOCUMENT.

DIMENSIONS:  
mm



TOLERANCES UNLESS OTHERWISE SPECIFIED:  
0 PLC ±0.2  
1 PLC ±0.3  
2 PLC ±0.4  
3 PLC ±  
4 PLC ±  
ANGLES ±3°

MATERIAL  
SEE NOTE

FINISH  
SEE TABLE

DWN K. IKEDA 26JUL1995

CHK Y. ISHIKAWA 31JUL1995

APVD S. MANABE 31JUL1995

PRODUCT SPEC

APPLICATION SPEC

WEIGHT

CUSTOMER DRAWING

**TE** TE Connectivity

NAME  
DYNAMIC CONN. 6POS.  
HORIZONTAL HDR. ASS'Y (D-3200)

SIZE A3 CAGE CODE 00779 DRAWING NO. C-316131 RESTRICTED TO

SCALE 2:1 SHEET 1 OF 1 REV BI