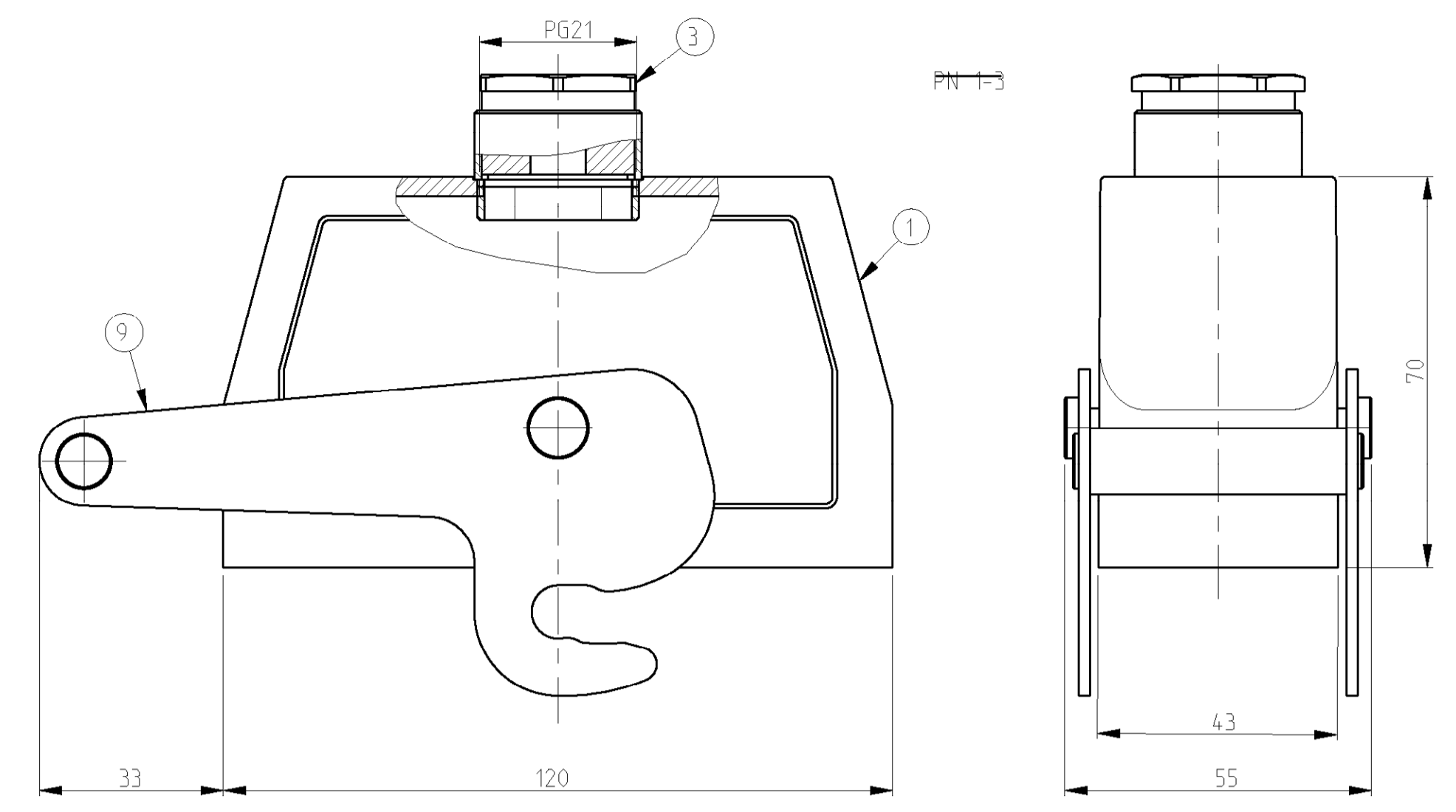
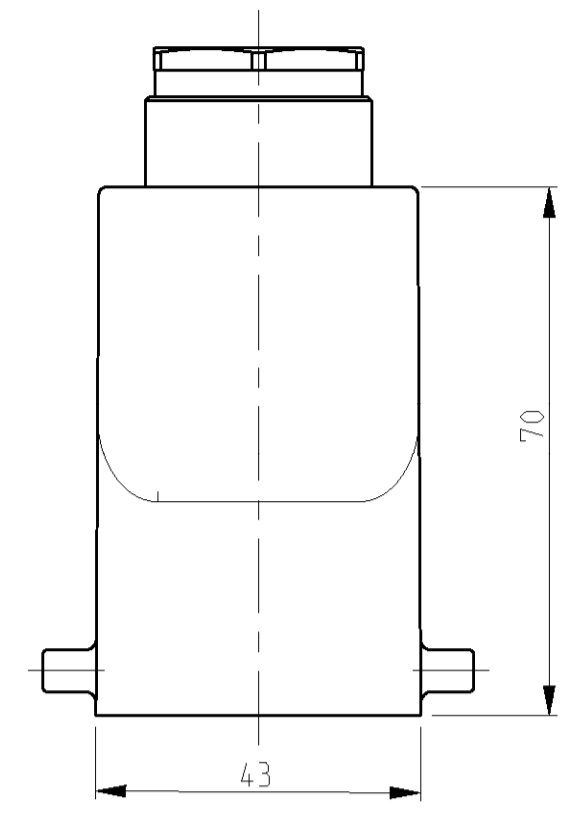
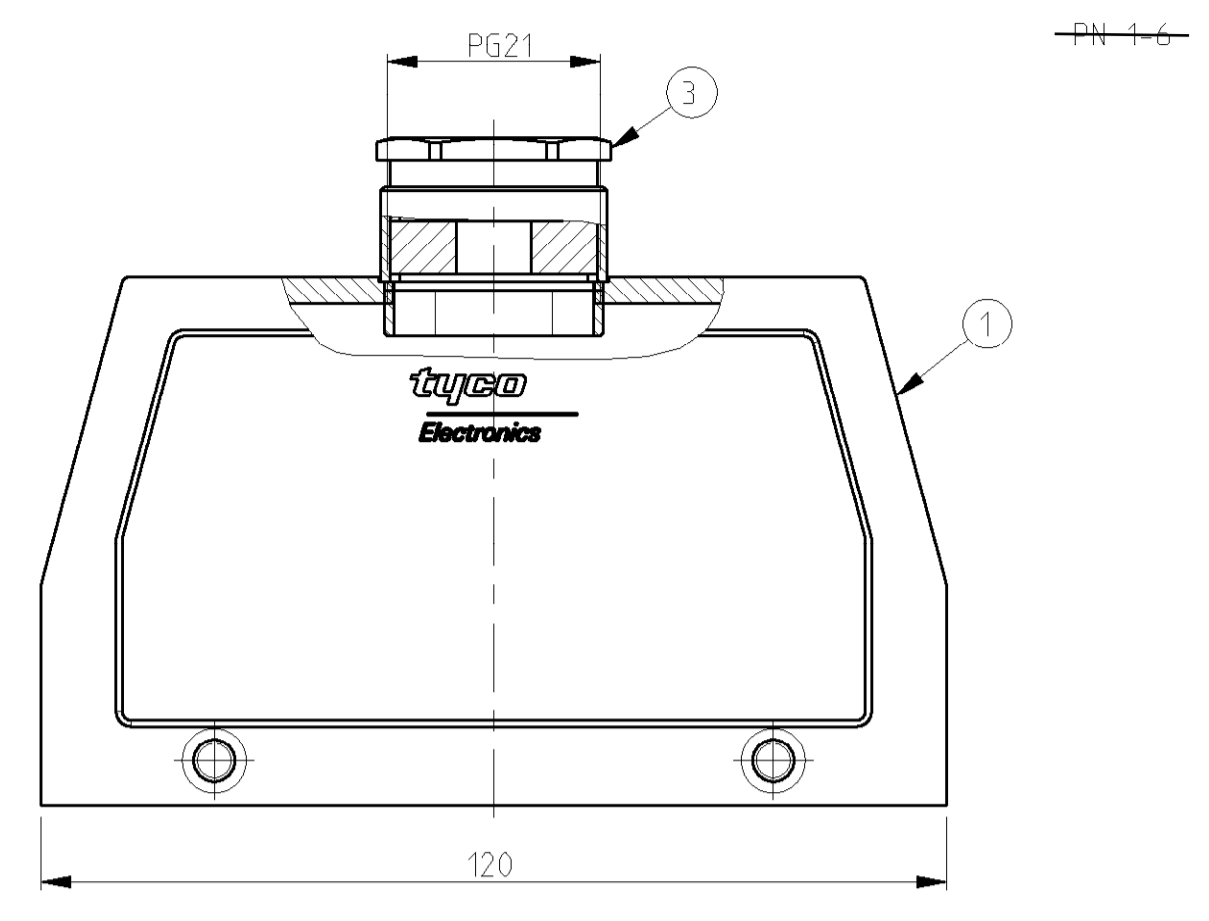
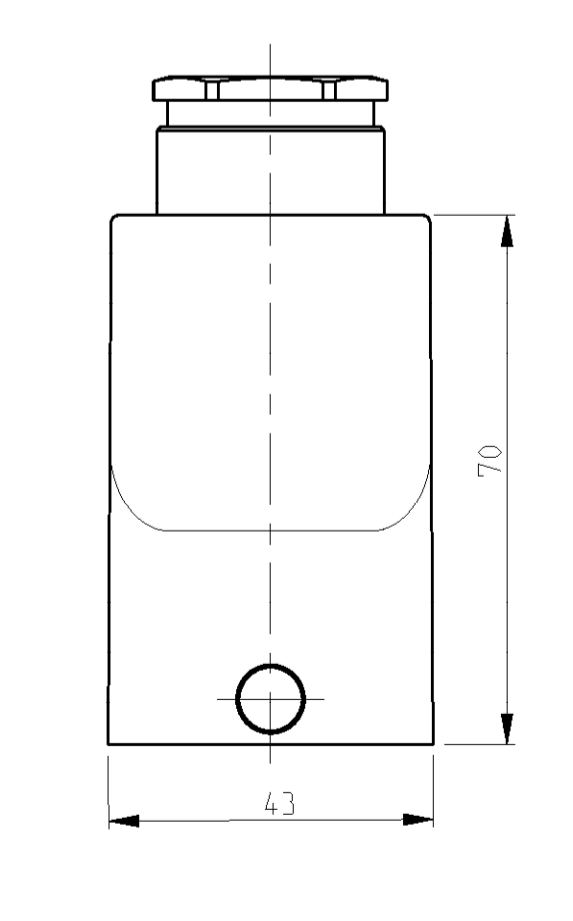
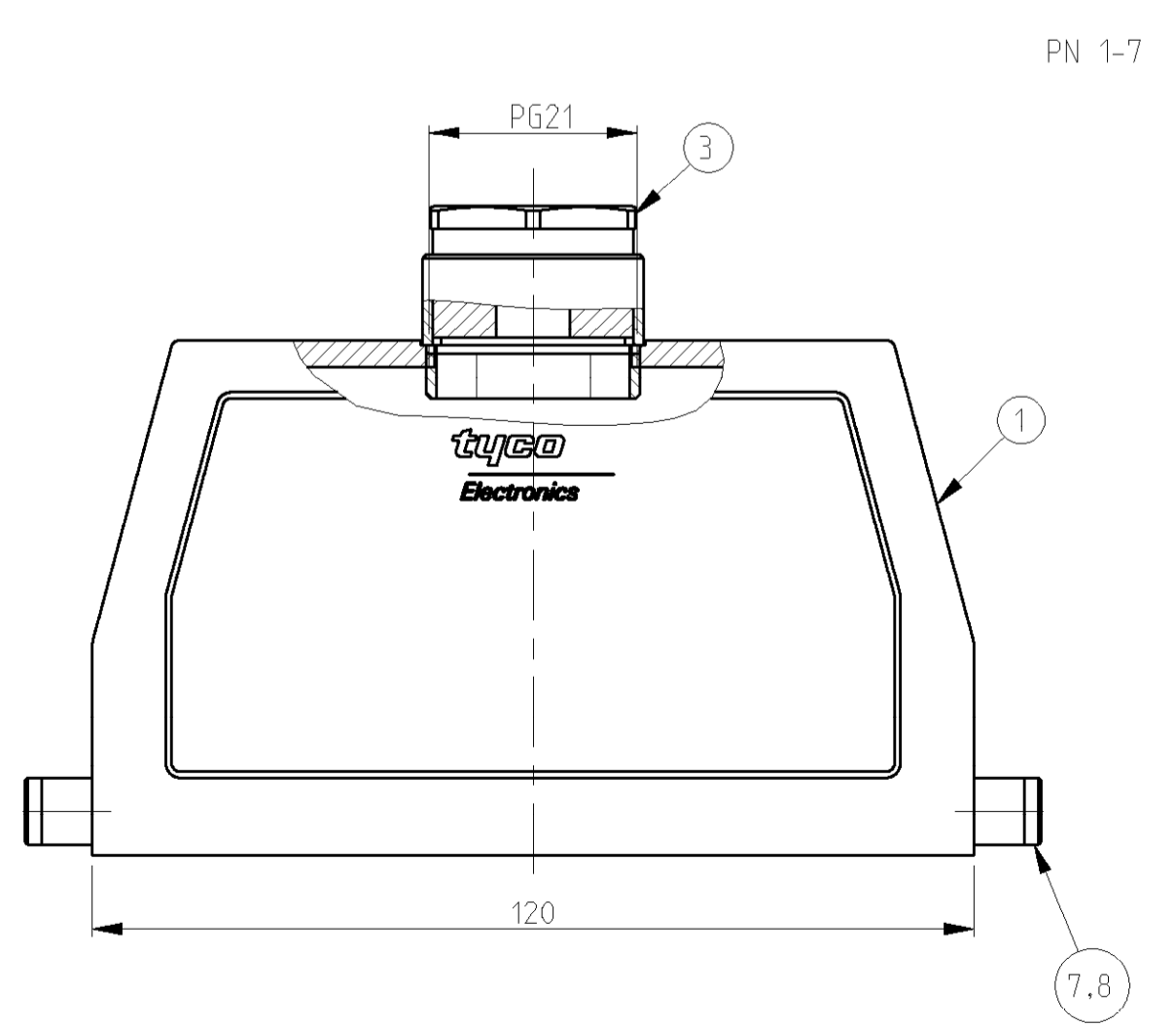
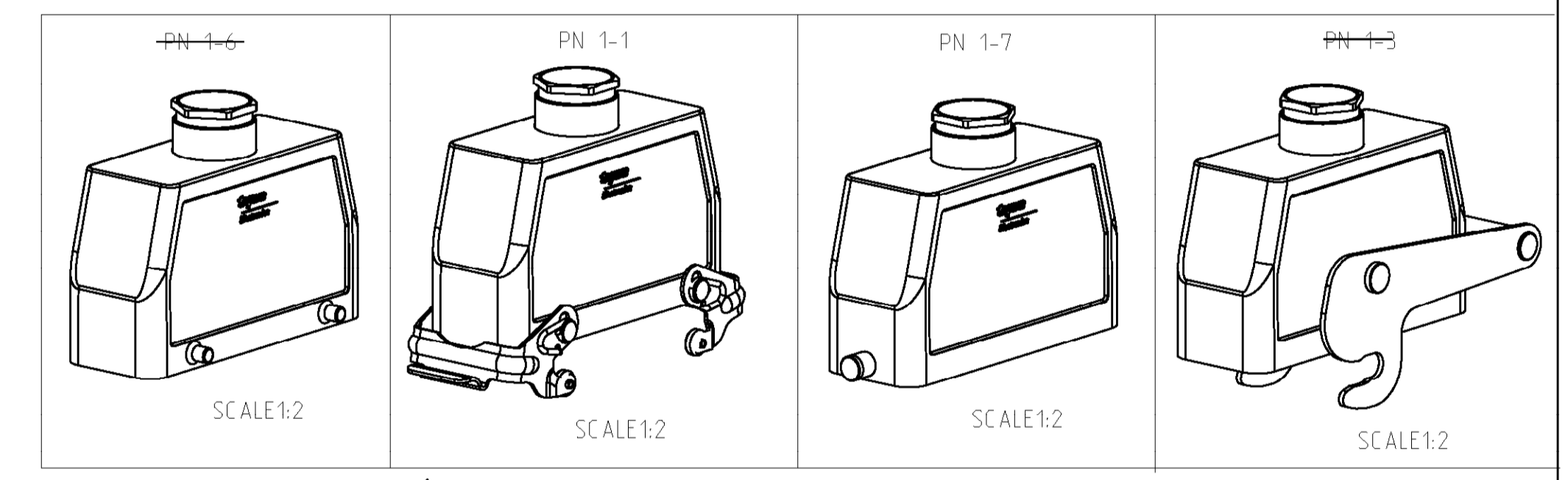
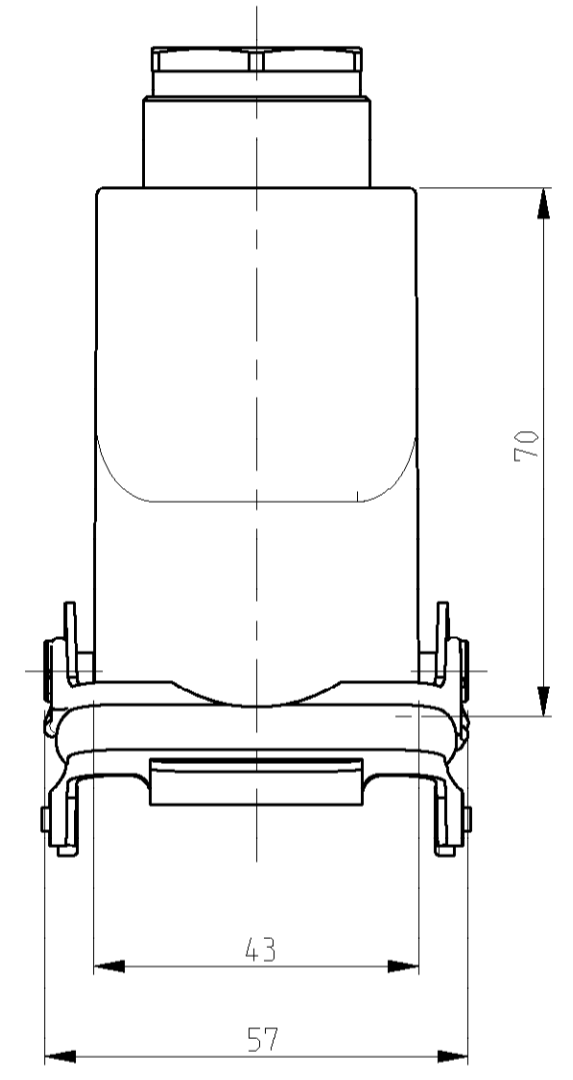
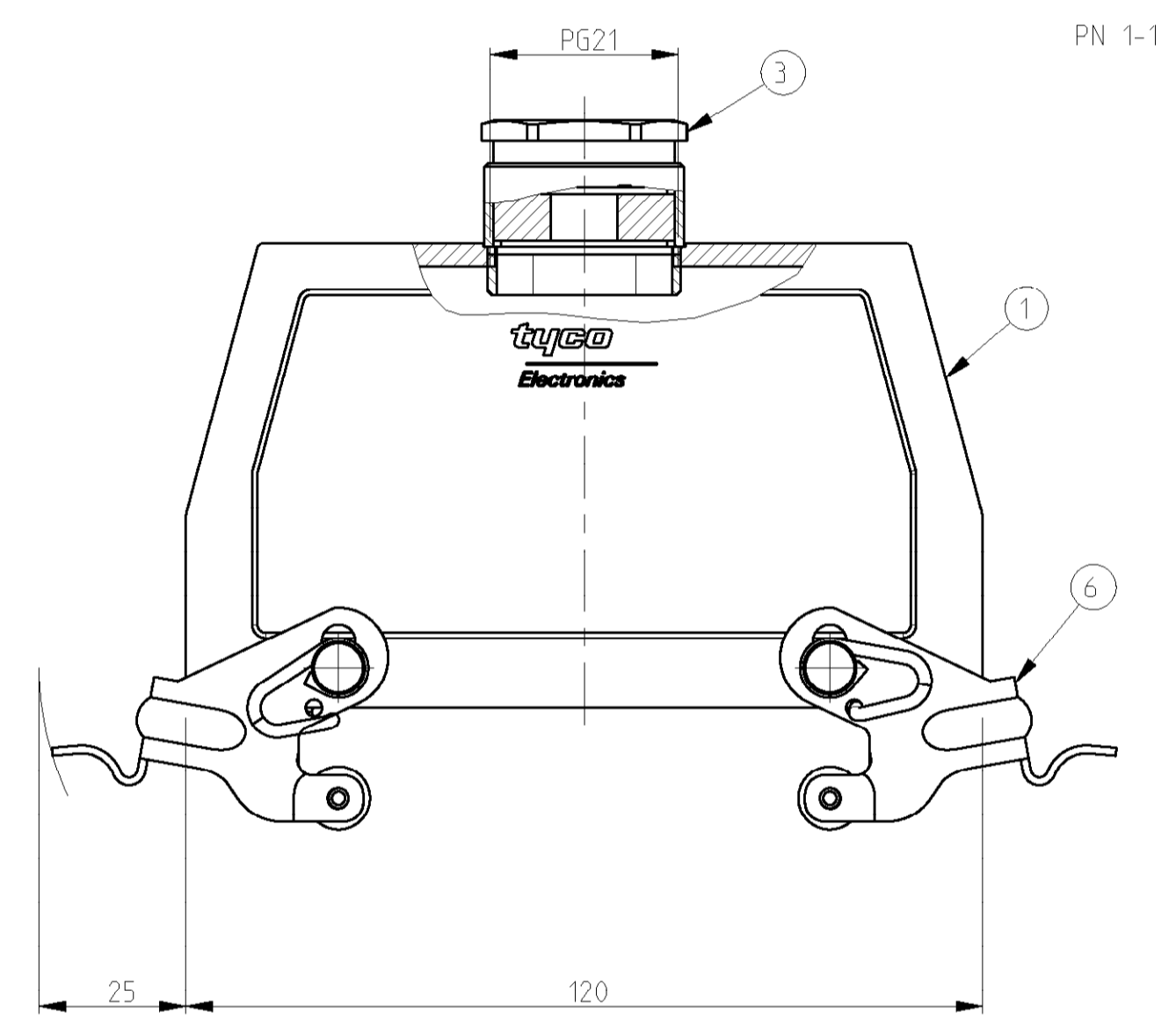


LOC	DIST	REVISIONS			
P	LYR	DESCRIPTION	DATE	DWN	APVD
A4		REVISED PER ECO-09-027197	19JAN10	KK	HMR
A5		ECR-17-013084	02APR18	SG	MKO



- NOTES:
- Material:Housing:Aluminium Diecasting Alloy
 - Surface:Varnish grey
 - Varnish on the inside not necessary
 - Packaging
Quantity 5 Pieces in a box
- ⚠️ OBSOLETE PARTS: OBSOLETE CIS STREAMLINING PER D.RENAUD/D.SINISI**



QTY	DESCRIPTION	MATERIAL	SURFACE	COLOR	ITEM NO	REMARKS
2	ZB-Central clip	Steel	Zinc plated	Blue	9	
	LB-Clip bolt	Stainless steel	-	-	8	
2	LB-Clip bolt	Steel	Zinc plated	Blue	7	
	VS-Locking clip	Steel	Zinc plated	Blue	6	
4	VS-Clip bolt	Stainless steel	-	-	5	
1	Hut Gland fitting Pg21	Brass	Nickel plated	-	4	
1	PG Gland fitting Pg21	Brass	Nickel plated	-	3	
1	HB Hood .24.Sto.1.21	Aluminium	Aluminium oxide	Black	2	
1	HB Hood .24.Sto.1.21	Aluminium	-	Grey	1	

ORDERING TEXT

HB-24.STO-1.21

HB-K.24.STO-1.21

HB.24.STO-VS.1.21

HB.24.STO-GR.1.21

HB-K.STO-GR.1.21

HB-Z.24.STO-ZD.1.21

DIMENSIONS: mm		TOLERANCES UNLESS OTHERWISE SPECIFIED:		DWN: Schneider 31.07.2000		CAX: Schneider 31.07.2000		NAME: Hood HB.24.STO.1.21	
0	mm-h10	0	mm-h10	PRODUCT SPEC	108-74001	SIZE	CAGE CODE	DRAWING NO	RESTRICTED TO
1	PLC	1	PLC	APPLICATION SPEC	114-74001	A	00779	C=1102323	-
2	PLC	2	PLC	WEIGHT	114-74004	SCALE	1:1	SHEET 1 OF 1	REV A5
3	PLC	3	PLC	CUSTOMER DRAWING					