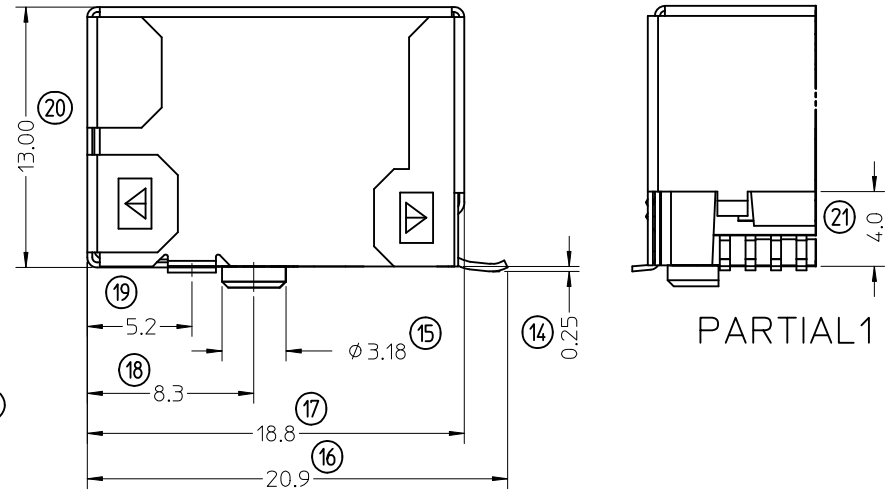
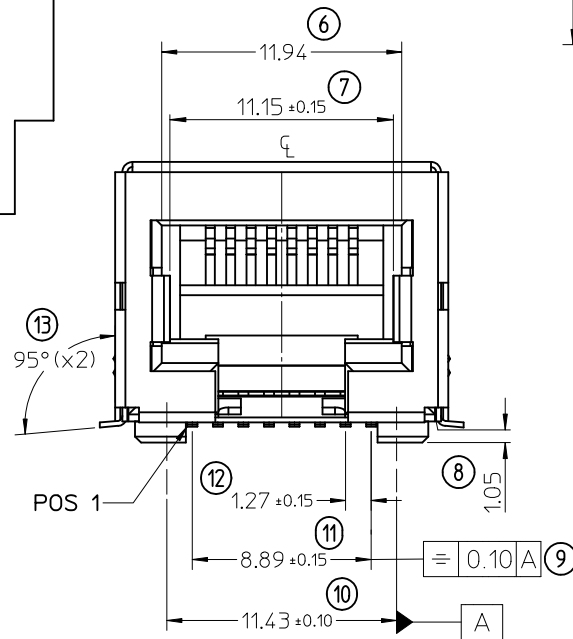
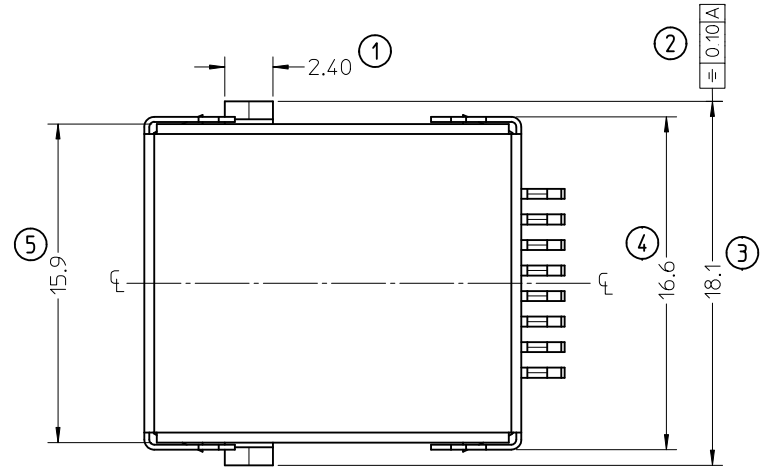


PART No
95622-5881



NOTES:

- 1- JACK FOR MATING WITH SHIELDED PLUG (MOLEX 95043 AND 85568 SERIES)
- 2- PRODUCT SPECIFICATION: PS-95622-001
- 3- PACKAGING SPECIFICATION: PK-95122-002 (TAPE AND REEL).
- 4- COPLANARITY OF SIGNAL LEADS: 0.10MAX
- 5- RECOMMENED PCB THICKNESS 1.57
- 6- LAST INSPECTION NUMBER: 21

TECHNICAL SPECIFICATIONS:

MATERIAL:

HOUSING: LCP GLASS FILLED UL 94V-0
COLOUR BLACK.

TERMINAL: COPPER ALLOY PLATED WITH:

BASE FINISH: NICKEL

CONTACT SURFACE FINISH:

GOLD,

OR

GOLD FLASH OVER PALLADIUM NICKEL.

EXCEEDS PRODUCT REQUIREMENTS BASED ON PS-95622-001

SHIELD: COPPER ALLOY PLATED WITH TIN.

PARTIAL 1

REMOVED OPTION EC NO: IPG2012-0746 DRW: DBYRNES 2012/04/17 CHKD: APPR: EFOLAN 2012/06/26	QUALITY SYMBOLS	GENERAL TOLERANCES (UNLESS SPECIFIED)		DIMENSION STYLE MM ONLY		SCALE 4:1	DESIGN UNITS METRIC	THIRD ANGLE PROJECTION	
	▽=0 ∇=0	mm	INCH	DRAWN BY DBYRNES	DATE 2009/11/20	TITLE FULLY SHIELDED TRUE SMT RIGHT ANGLE MODULAR JACK 8 CIRCUIT			
		4 PLACES ± --- ± ---	3 PLACES ± --- ± ---	CHECKED BY JDWALLACE	DATE 2010/03/02	MATERIAL NO. EFOLAN 2011/05/24			
		2 PLACES ± 0.25 ± ---	1 PLACE ± 0.35 ± ---	APPROVED BY EFOLAN	DATE 2011/05/24	DOCUMENT NO. SD-95622-012			
	ANGULAR ± 2 °	DRAFT WHERE APPLICABLE MUST REMAIN WITHIN DIMENSIONS		SEE CHART		SHEET NO. 1 OF 1			
		THIS DRAWING CONTAINS INFORMATION THAT IS PROPRIETARY TO MOLEX INCORPORATED AND SHOULD NOT BE USED WITHOUT WRITTEN PERMISSION							