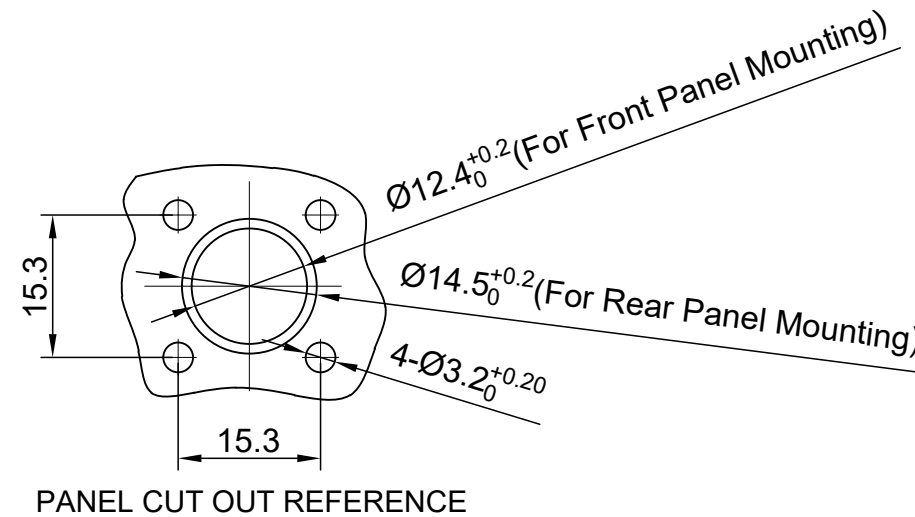
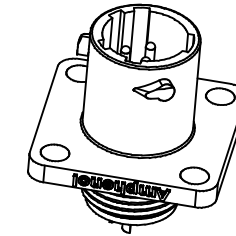
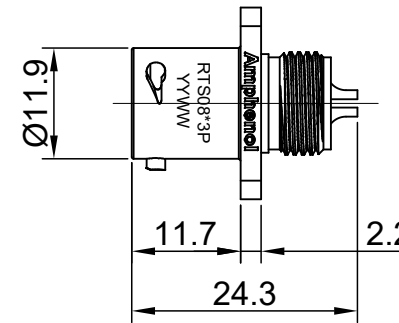
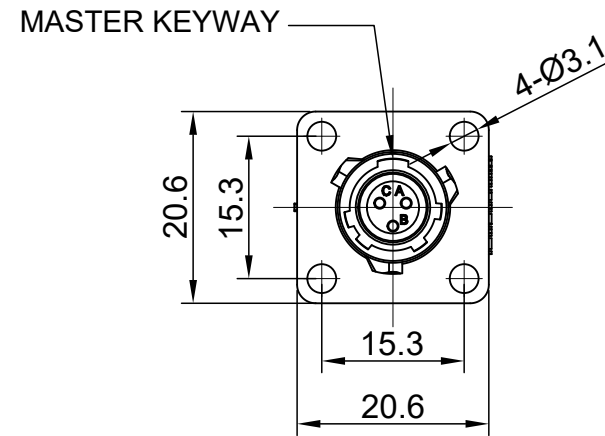


| REVISIONS |     |                  |             |       |       |
|-----------|-----|------------------|-------------|-------|-------|
| REV       | ECO | DESCRIPTION      | DATE        | BY    | APPR  |
| A1        | --  | RELEASED DRAWING | Jun-29-2017 | Nick  | Tommy |
| A2        | --  | UPDATE DRAWING   | Mar-16-2018 | White | Tommy |
| A3        | --  | UPDATE DRAWING   | Apr-10-2018 | White | Tommy |



NOTES : (UNLESS OTHERWISE SPECIFIED)

- MATERIAL :  
SHELL : THERMOPLASTIC , UL94 V-0.  
INSERT : CHLOROPRENE RUBBER.  
SEAL GASKET : NBR.  
CONTACT : COPPER ALLOY , GOLD PLATED.
- SPECIFICATIONS :  
2.1 RATED CURRENT : 7A (MAX).  
2.2 RATED VOLTAGE : 250V(AC/DC).  
2.3 OPERATING TEMPERATURE : -40°C ~ +105°C .  
2.4 DIELECTRIC WITHSTANDING VOLTAGE : LESS THAN  
2 MILLIAMPS CURRENT LEAKAGE@1500 VOLTS AC.  
2.5 INSULATION RESISTANCE : 5000 MEGOHMS MIN.  
2.6 IP--CLASS : IP67 AND IP69K IN THE MATED CONDITION,  
PANEL EXTERNAL.  
2.7 MATING CYCLES DURABILITY : 500 CYCLES MIN.  
2.8 RoHS COMPLIANT.
- ALL DIMENSIONS ARE FOR REFERENCE USE ONLY.

| KEY | PART NUMBER |
|-----|-------------|
| N   | RTS08N3P    |

| QUANTITY   | PART NUMBER | DESCRIPTION   | ITEM         |            |      |              |             |              |             |           |  |                 |             |
|--|-------------|---|--------------|------------|------|--------------|-------------|--------------|-------------|-----------|--|-----------------|-------------|
| <b>MATERIALS LIST</b>  |             |   |              |            |      |              |             |              |             |           |  |                 |             |
| UNLESS OTHERWISE SPECIFIED<br>1) All dimensions are in metric(mm).<br>2) Tolerances are as follows:<br>1 PL DEC ±0.30<br>2 PL DEC ±0.15<br>3 PL DEC ±0.08<br>3) Note reference = |             | <table border="1"> <thead> <tr> <th>SIGNATURES</th> <th>DATE</th> </tr> </thead> <tbody> <tr> <td>DRAWN: White</td> <td>Apr-10-2018</td> </tr> <tr> <td>CHECKED: Tod</td> <td>Apr-10-2018</td> </tr> <tr> <td>ENGINEER:</td> <td></td> </tr> <tr> <td>APPROVAL: Tommy</td> <td>Apr-10-2018</td> </tr> </tbody> </table> <p style="text-align: center;"><b>Amphenol</b><br/>Sine Systems - www.amphenol-sine.com<br/>44724 Morley Drive<br/>Clinton Township, MI 48036</p> |              | SIGNATURES | DATE | DRAWN: White | Apr-10-2018 | CHECKED: Tod | Apr-10-2018 | ENGINEER: |  | APPROVAL: Tommy | Apr-10-2018 |
| SIGNATURES   | DATE        |   |              |            |      |              |             |              |             |           |  |                 |             |
| DRAWN: White   | Apr-10-2018 |   |              |            |      |              |             |              |             |           |  |                 |             |
| CHECKED: Tod   | Apr-10-2018 |   |              |            |      |              |             |              |             |           |  |                 |             |
| ENGINEER:  |             |   |              |            |      |              |             |              |             |           |  |                 |             |
| APPROVAL: Tommy  | Apr-10-2018 |   |              |            |      |              |             |              |             |           |  |                 |             |
| MATERIAL SPECIFICATIONS:   |             | CUSTOMER: ECO-MATE, RECEPTACLE, FLANGE, SIZE 8, 3 POS, PIN  |              |            |      |              |             |              |             |           |  |                 |             |
| PROCESS SPECIFICATIONS:  |             | THIS DRAWING IS SUPPLIED FOR INFORMATION ONLY. DESIGN FEATURES, SPECIFICATIONS AND PERFORMANCE DATA SHOWN HEREON ARE THE PROPERTY OF THE AMPHENOL CORPORATION. NO RIGHTS OF REPRODUCTION ARE IMPLIED. ALL DIMENSIONS ARE SUBJECT TO NORMAL MANUFACTURING VARIATIONS.  |              |            |      |              |             |              |             |           |  |                 |             |
| NEXT ASSY:   |             | SIZE: B C-  | REVISION: A3 |            |      |              |             |              |             |           |  |                 |             |
|  |             | SCALE: NONE   | SHEET 1 OF 1 |            |      |              |             |              |             |           |  |                 |             |

TITLE: ECO-MATE RECEPTACLE FLANGE SIZE 8, 3 POS, PIN

DWG NO:

RTS08\*3P

REV: A3

SH: 1

OF: 1