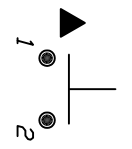
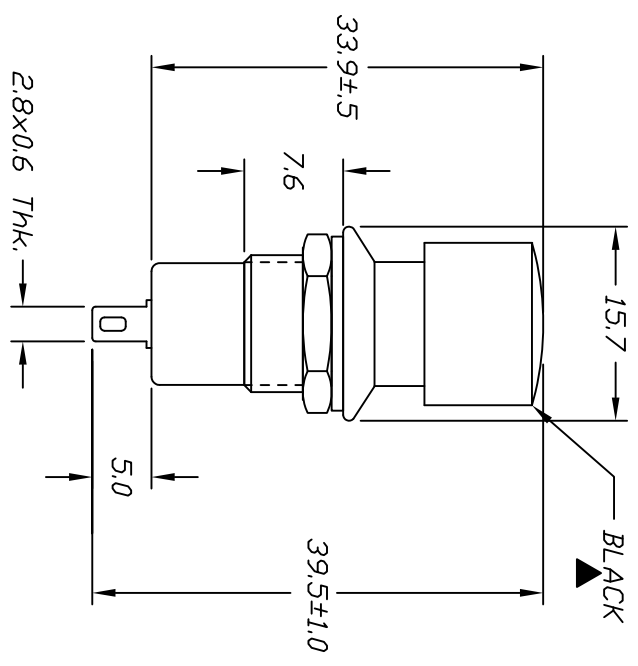
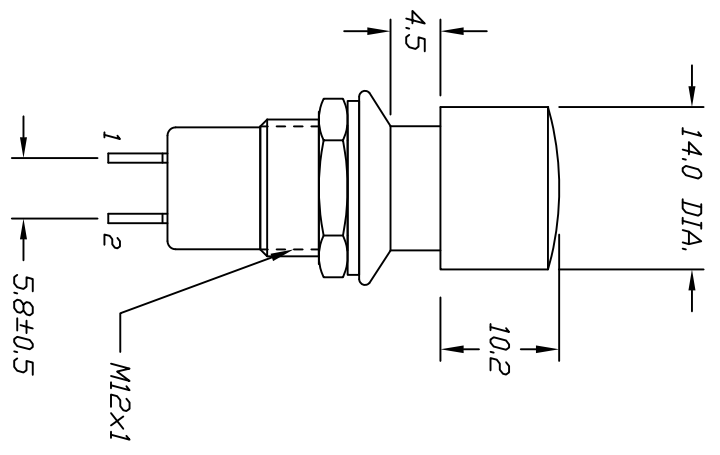
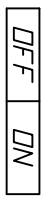


RECOMMEND PANEL LAYOUT



CIRCUIT: SPST (LATCHING)

CONTACT CONFIGURATION



< >=Momentary

NOTES:

1. ALL DIMENSIONS IN MM [INCH]
2. TERM. NOS. FOR REF ONLY
3. RATING: 3A 125VAC
4. ▲ DENOTES CRITICAL

REV.	ECN NDL	DESCRIPTION	DATE	CHKD
A	15170	NEW RELEASE	8/16/05	PV

TOLERANCES	
0.0	±0.4
0.00	±0.25

TITLE		SCALE	DATE	DR	DWG	REV
PS1040BBLK		1.5:1	8/16/05	PV	F010402	A



THE INFORMATION CONTAINED IN THIS DOCUMENT IS PROPRIETARY TO E-SWITCH AND IS NOT TO BE COPIED OR TRANSFERRED