

Ledex® Magnetic Latching Box Frame Size B17-L

Part Number: B17 - L - **X** **XX** - B-3

Coil Selection
(from performance chart below)

Pole Configuration
1 Flat Face

All products are RoHS Compliant

LINEAR Open Frame

Specifications

Operation	Pull
Dielectric Strength	500 VRMS for one second
Unlatch Voltage	See schematic and coil data below
Magnet Hold Force*	10 oz. (2.5 N)
Coil Insulation	Class "B": 130°C max.
Coil Termination	10" (254 mm) PVC lead wires
Spring Force	16.0 oz/in; 2.4 oz latched position
Plunger Pole Face	Flat face (other options available)
Plunger Weight	0.08 oz. (2.46 g)
Total Weight	0.70 oz. (19.85 g)*In no power, latched position.

* In no power, latched position, with return spring



Battery Powered



High Speed



Magnetic Latching



Miniature Size

Performance

Maximum Duty Cycle	Unlatch Voltage		
	50%	25%	10%
Recommended Max ON Time (sec)	1	1	1
Watts (@ 20°C)	1.6	3.2	6.4
Ampere Turns (@ 20°C)	292	414	584

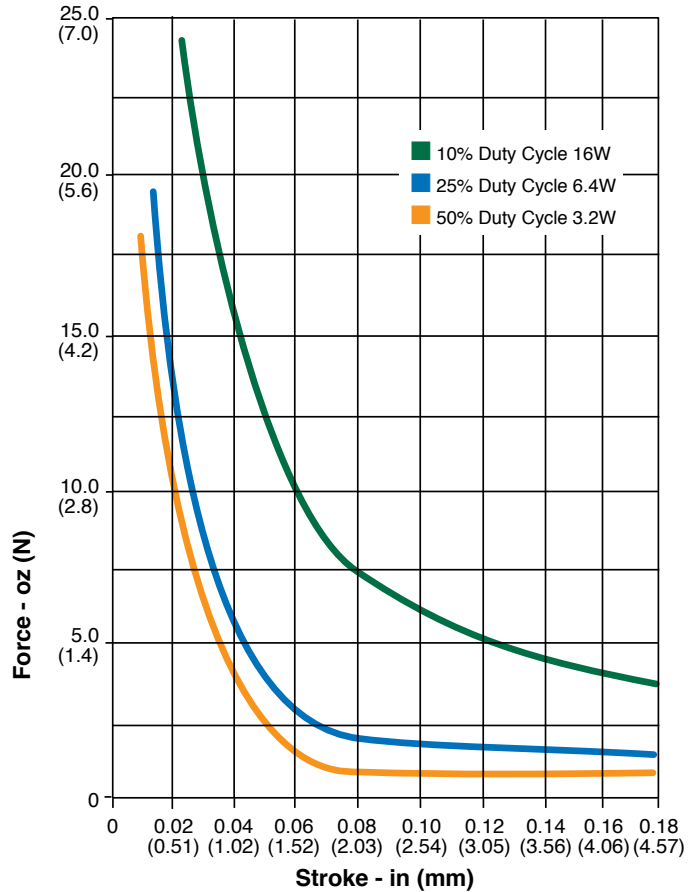
Coil Data

Part Number	Resistance (@20°C)	Ref # Turns	Unlatch VDC	VDC (Nom)	VDC (Nom)	VDC (Nom)
B17-L-158-B-3	5.40	556	3	4	6	9
B17-L-155-B-3	21.93	1112	6	8.5	12	19
B17-L-156-B-3	50.20	1540	9	12	18	28.3
B17-L-154-B-3	88.95	2208	12	17	24	38
B17-L-153-B-3	337.00	3687	24	34	48	76
B17-L-152-B-3	1465.00	9177	48	68	96	153

NOTES:

- All data is typical.
- Force testing is done with the solenoid in the horizontal position.
- All data reflects operation with no heatsink.

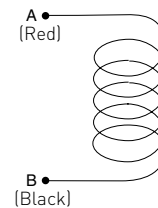
Typical Force @ 20°C (Net, with Spring)



Coil Polarity

Latch: A+ B-

Unlatch: A- B+



How to Order

Select the part number from the table provided. (For example, to order a 25% duty cycle unit rated at 48 VDC, specify B17-L-153-B-3.

Please see www.ledex.com for our list of stock products available through our North American distributors.

All specifications subject to change without notice.

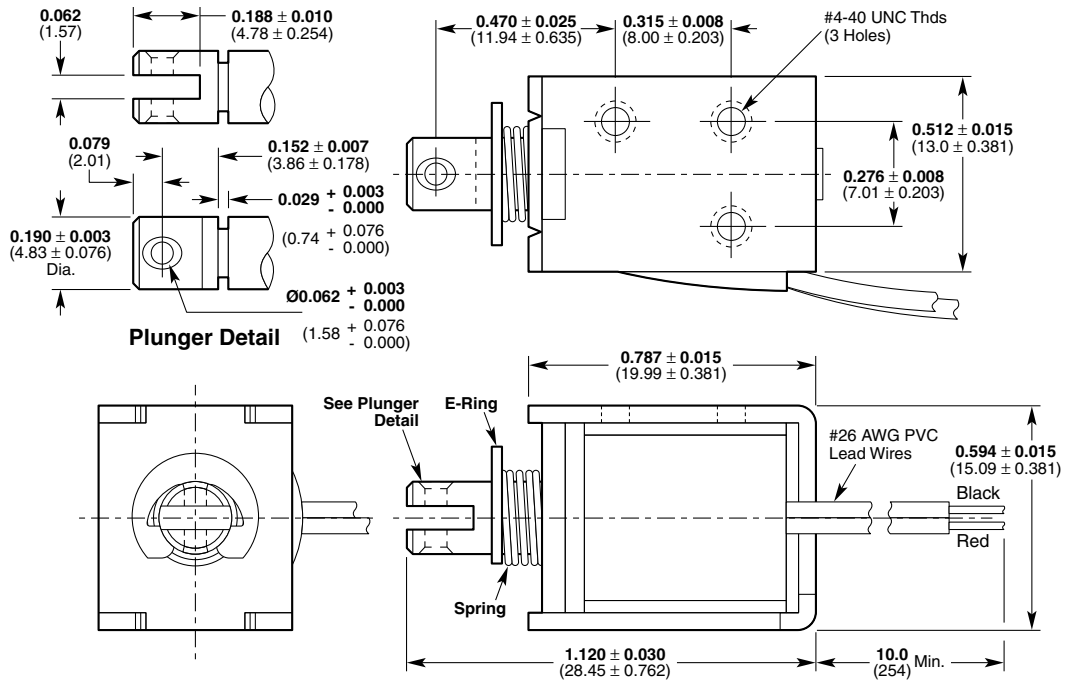
Force values for reference only.

Ledex® Magnetic Latching Box Frame Size B17-L

Dimensions

Inches (mm)

All solenoids are illustrated in energized state



All specifications subject to change without notice.