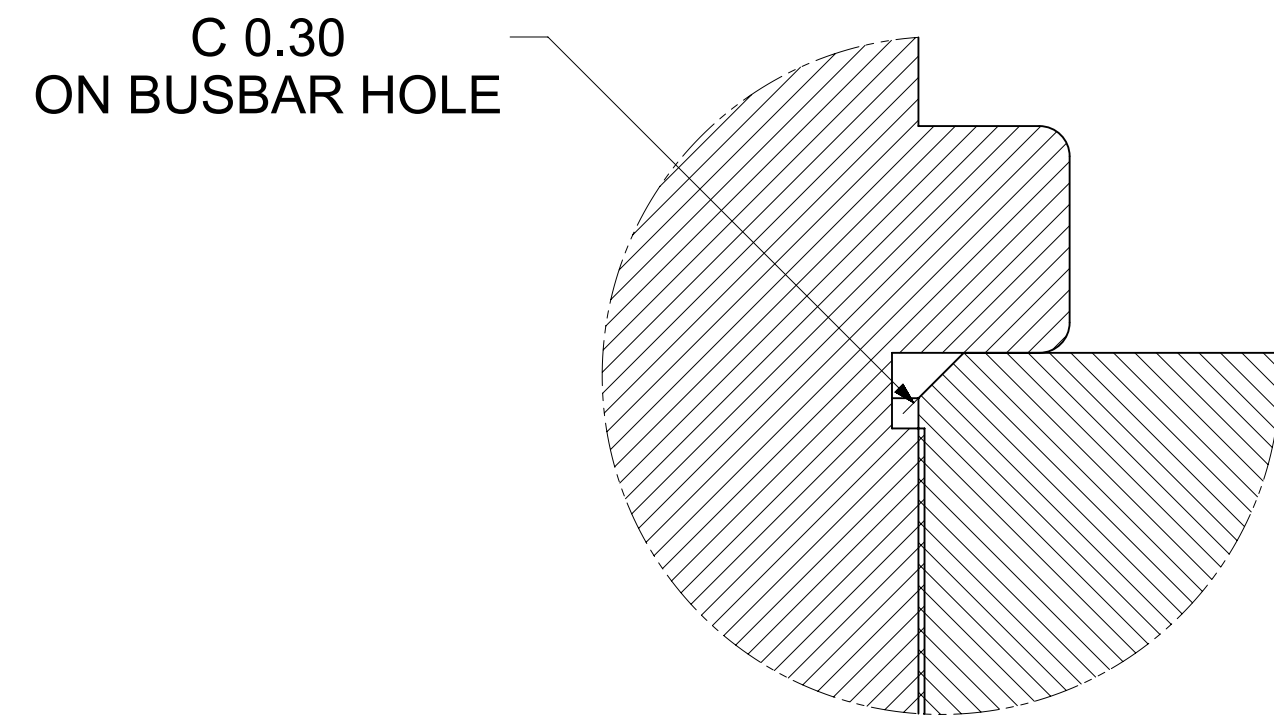
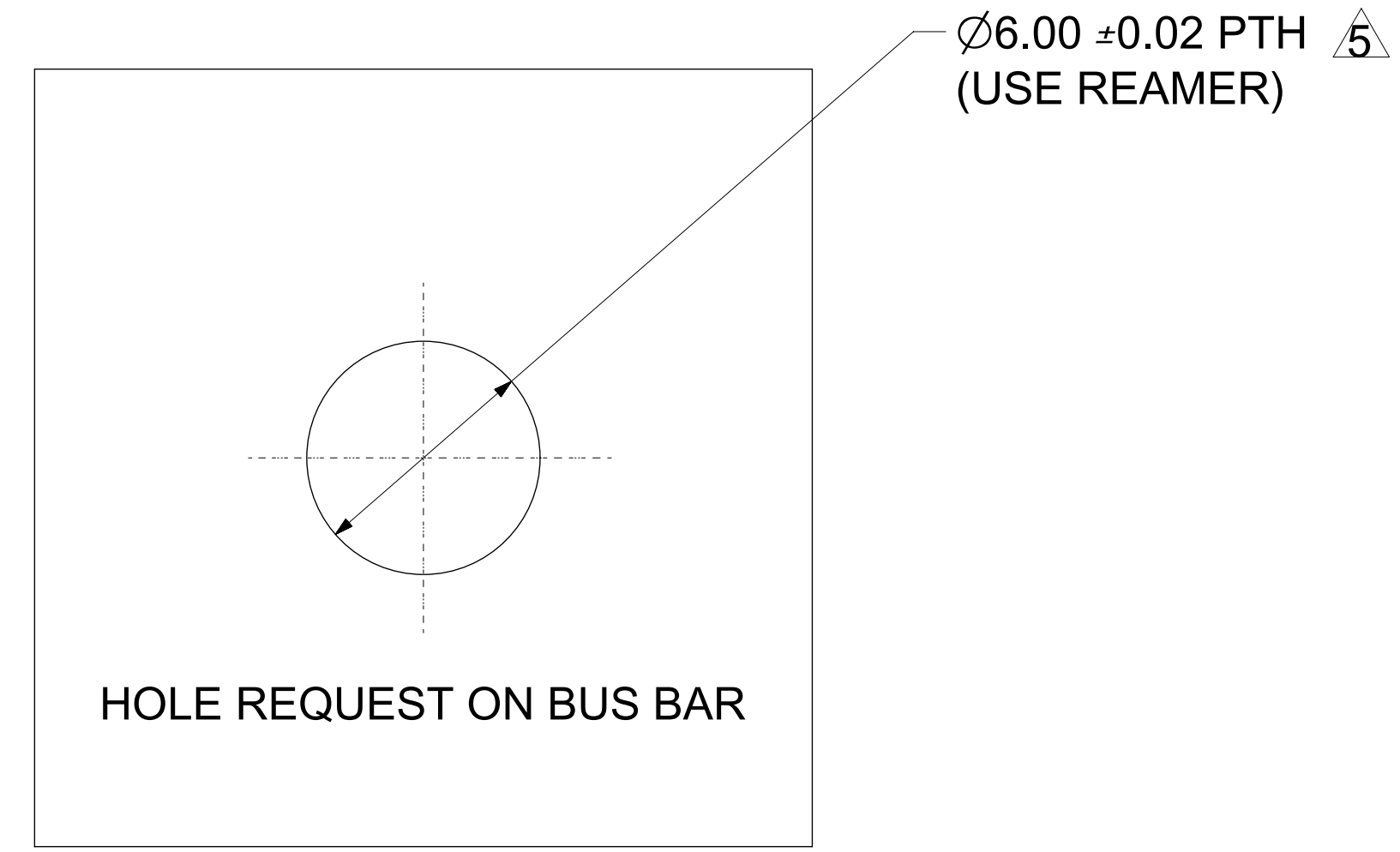
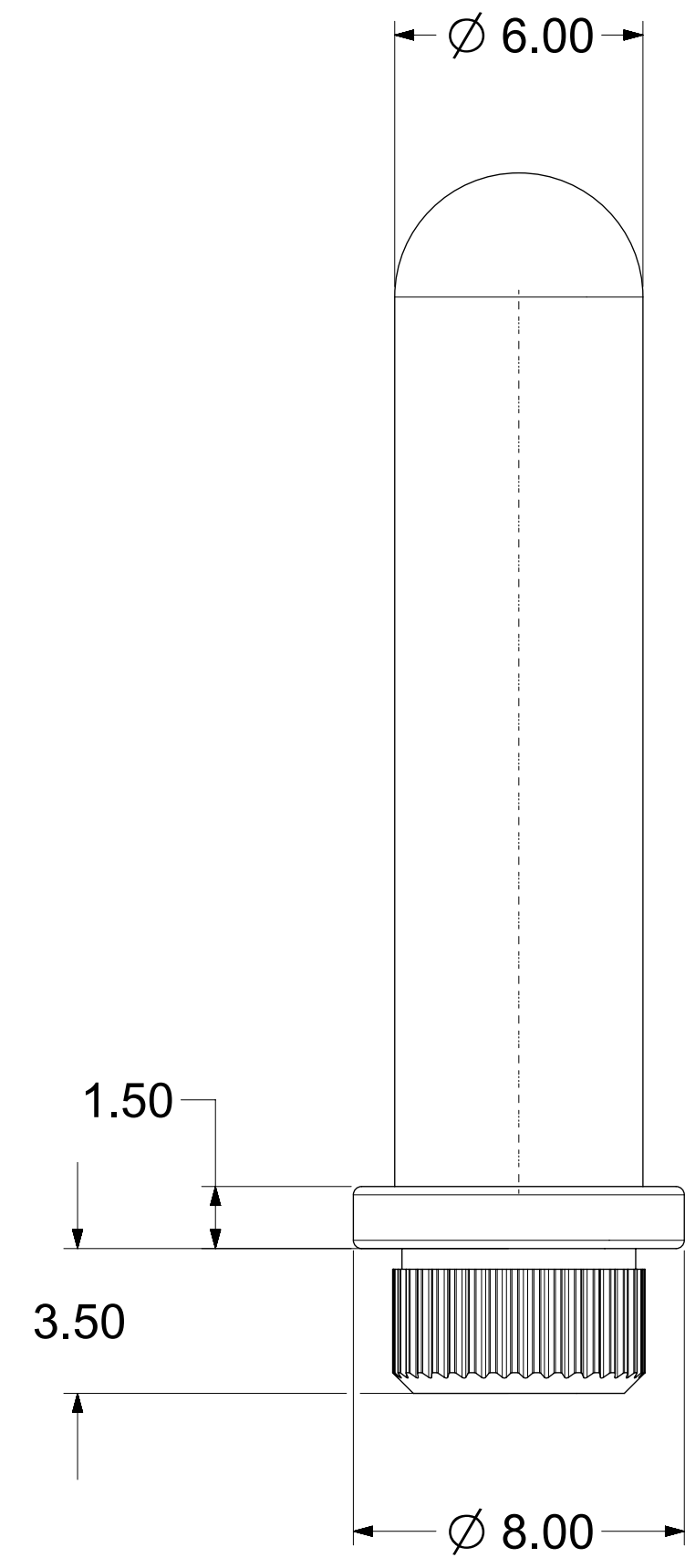
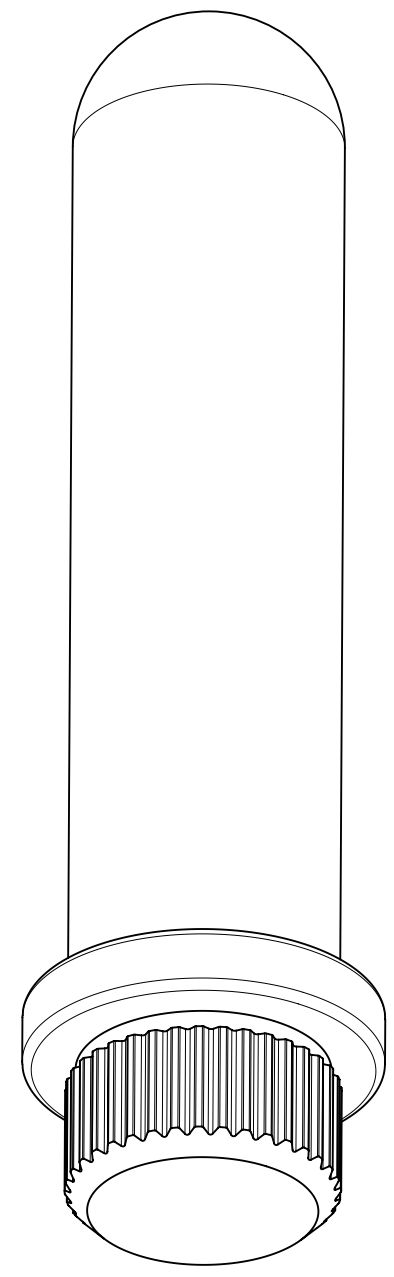


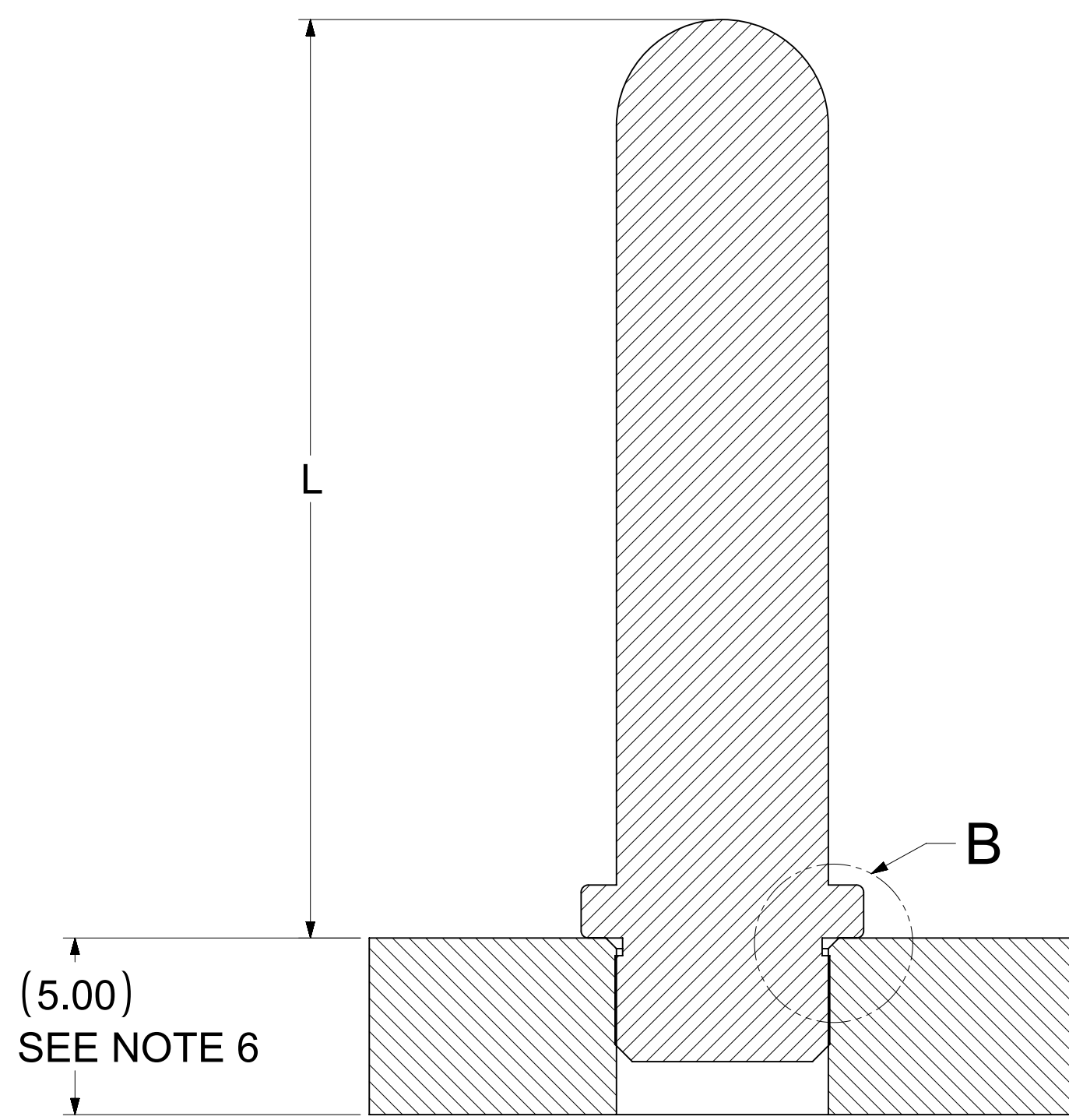
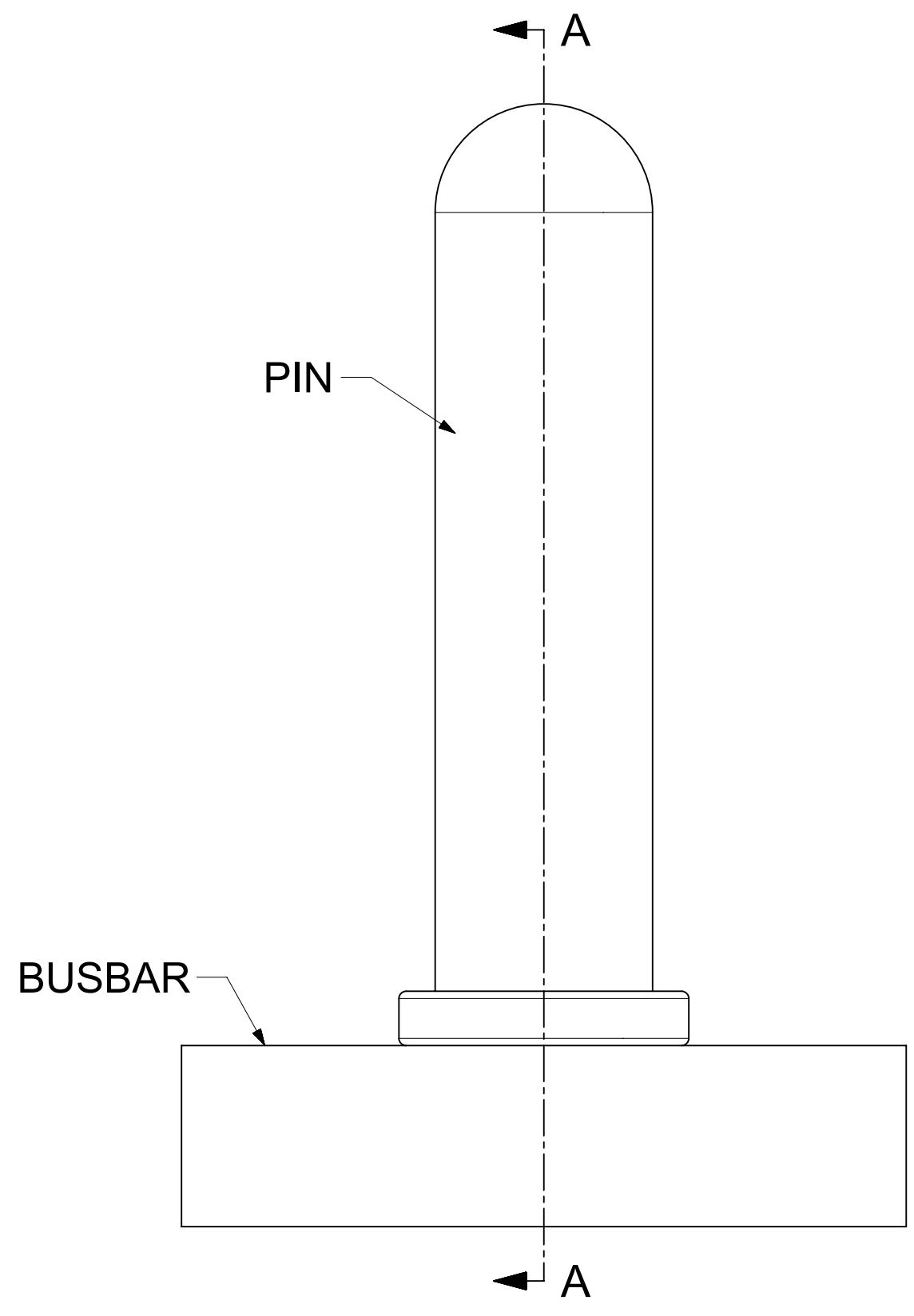
PART NUMBER	DIMENSION L
203263-0006	26.0
203263-0016	20.0
203263-0026	14.0
203263-0036	36.0
203263-0046	17.95



DETAIL B
SCALE 20:1

NOTES:

- MATERIAL:
BASE METAL: HIGH CONDUCTIVE COPPER ALLOY
PLATING ON BODY: 3.18 MICRON MIN SILVER OVER 1.27 MICRON MIN NICKEL
- PRODUCT SPECIFICATION: 2043130006-PS
- APPLICATION SPECIFICATION: 2043130006-AS
- PACKAGING SPECIFICATION: 2032630006-PK
- SILVER COMPONENTS WILL BE SUPPLIED TARNISH FREE BUT MAY TARNISH OVER TIME.
- MINIMUM RECOMMENDED BUSBAR THICKNESS IS 1.5MM



SECTION A-A

THIS DRAWING CONTAINS INFORMATION THAT IS PROPRIETARY TO MOLEX ELECTRONIC TECHNOLOGIES, LLC AND SHOULD NOT BE USED WITHOUT WRITTEN PERMISSION											
DIMENSION UNITS mm		SCALE 10:1		CURRENT REV DESC: PLATING SPEC UPDATED						molex	
GENERAL TOLERANCES (UNLESS SPECIFIED)				EC NO: 624981							
ANGULAR TOL ± 0.5°		4 PLACES ±		DRWN: TGREGORI		2019/09/26		6.0MM CST STD (PRESS FIT), MALE PIN			
3 PLACES ±		2 PLACES ± 0.15		CHK'D: BPISZCZOR		2019/10/03		PRODUCT CUSTOMER DRAWING			
1 PLACE ± 0.25		0 PLACES ±		APPR: BPISZCZOR		2019/10/03		DOCUMENT NUMBER			
DRAFT WHERE APPLICABLE MUST REMAIN WITHIN DIMENSIONS		THIRD ANGLE PROJECTION		INITIAL REVISION:		DRWN: FCSSO		2018/10/01		2019/06/10	
D-SIZE		SERIES		MATERIAL NUMBER		CUSTOMER		SHEET NUMBER			
D-SIZE		203263		SEE TABLE		GENERAL MARKET		1 OF 1			