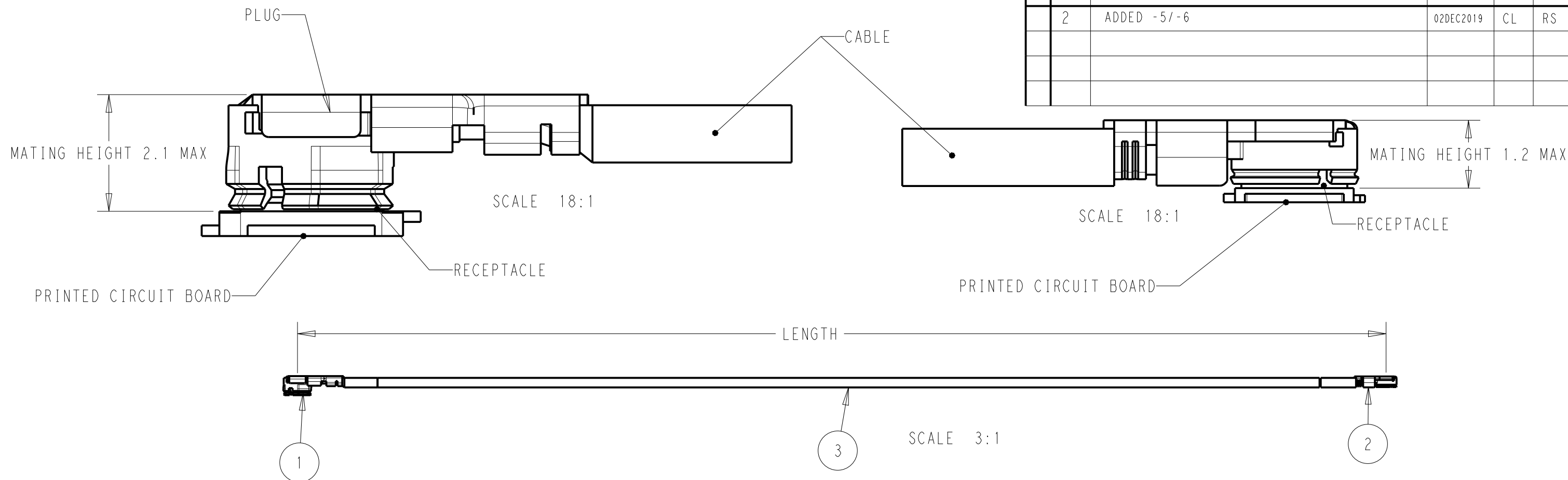


P	LTR	DESCRIPTION	DATE	DWN	APVD
2		ADDED -5/-6	02DEC2019	CL	RS



THIS PRINT IS  
**PRELIMINARY**  
UNQUALIFIED PRODUCT  
CONTACT PRODUCT ENGINEERING  
BEFORE USING THIS PRINT

1-2016677-0	220±3
2016677-9	170±3
2016677-8	120±3
2016677-7	70+3
2016677-6	350±3
2016677-5	250±3
2016677-4	80±3
2016677-3	50±3
2016677-2	80±3
2016677-1	50+3
PART NUMBER	LENGTH

- NOTES:
- MATERIAL AND PROCESSING MUST MEET REQUIREMENTS OF TEC-138-702
  - UMCC GEN2 AND GEN4 MATING HEIGHT AS SHOW
  - PRODUCT RATING:  
TEMPERATURE: -45°C TO +85°C  
VOLTAGE: 30V (RMS)  
CHARACTERISTIC IMPEDANCE: 50 OHMS Normal  
FREQUENCY RANGE: DC TO 6GHz  
BEND RADIUS: 4.5MM MIN
  - CABLE ASSEMBLY TO BE 100% SI TESTED  
VSWR:  
1.3:1 MAX @ DC~1000MHz  
1.5:1 MAX @ 1000~4000MHz  
2.0:1 MAX @ 4000~6000MHz  
INSERT LOSS:  
(5.30\*LENGTH+0.4)dB MAX @2GHz  
LENGTH UNIT IS METER IN THE FORMULA
  - UMCC CAN MATE WITH I-PEX MHF SERIES AND HIROSE U.FL SERIES

Q'TY	UNIT	DESCRIPTION	ITEM
PC	1	COAXIAL CABLE, 0.81MM, 50OHM, BLACK	3
PC	1	UMCC PLUG, GEN4, FOR 0.81 CABLE	2
PC	1	UMCC PLUG, GEN2, FOR 0.81 CABLE	1

THIS DRAWING IS A CONTROLLED DOCUMENT.		DWN	22MAR2019	<b>TE</b> TE Connectivity	
DIMENSIONS: mm		CHK	-		
TOLERANCES UNLESS OTHERWISE SPECIFIED:		APVD	-	NAME RF CA, UMCC GEN2-GEN4, 0.81, BK	
0 PLC ±-		PRODUCT SPEC	-	SIZE	
1 PLC ±0.1		APPLICATION SPEC	-	CAGE CODE	DRAWING NO
2 PLC ±0.01		WEIGHT	-	A3	00779
3 PLC ±0.001		CUSTOMER DRAWING	-	SCALE	1:1
4 PLC ±0.0001		MATERIAL	TBD	SHEET	1 OF 1
ANGLES ±-		FINISH	-	REV	3
MATERIAL		material_2	finish_spec_2	RESTRICTED TO	