

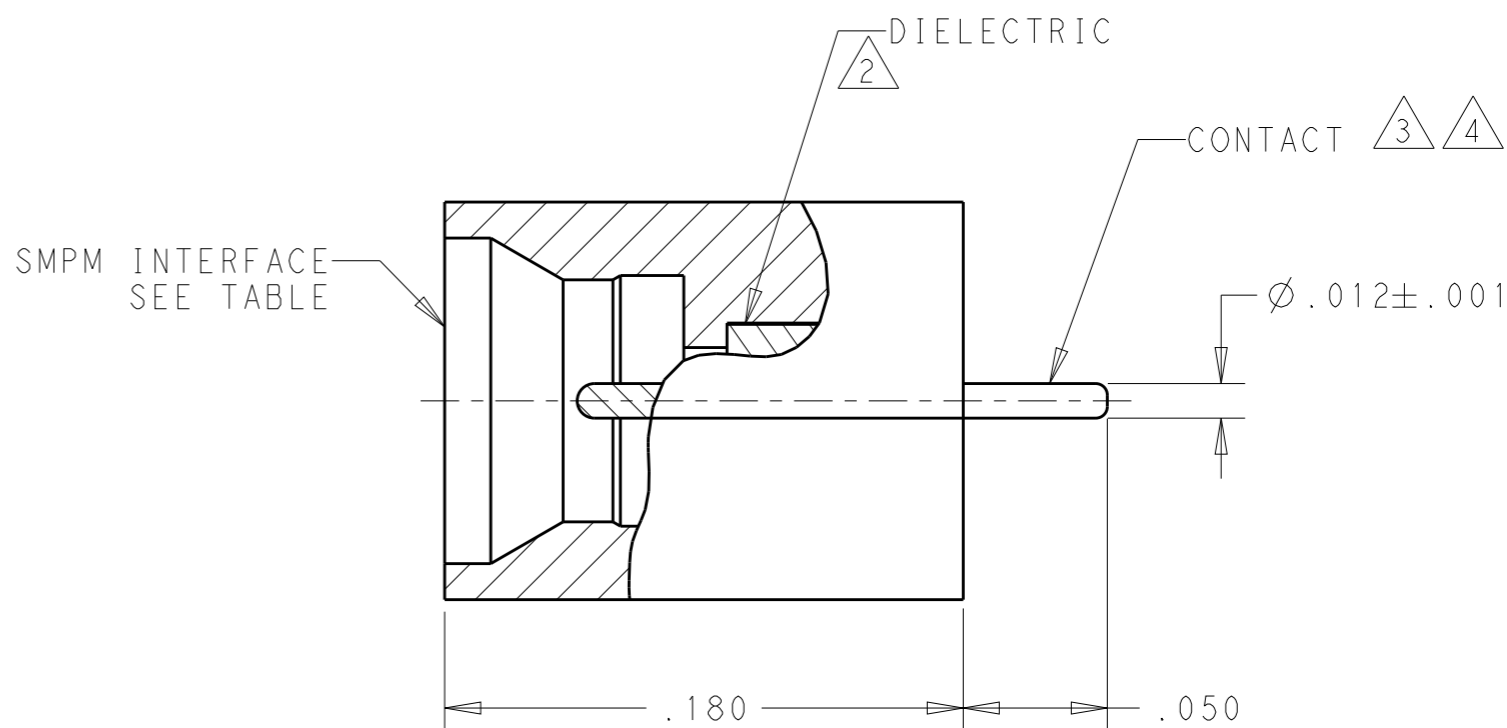
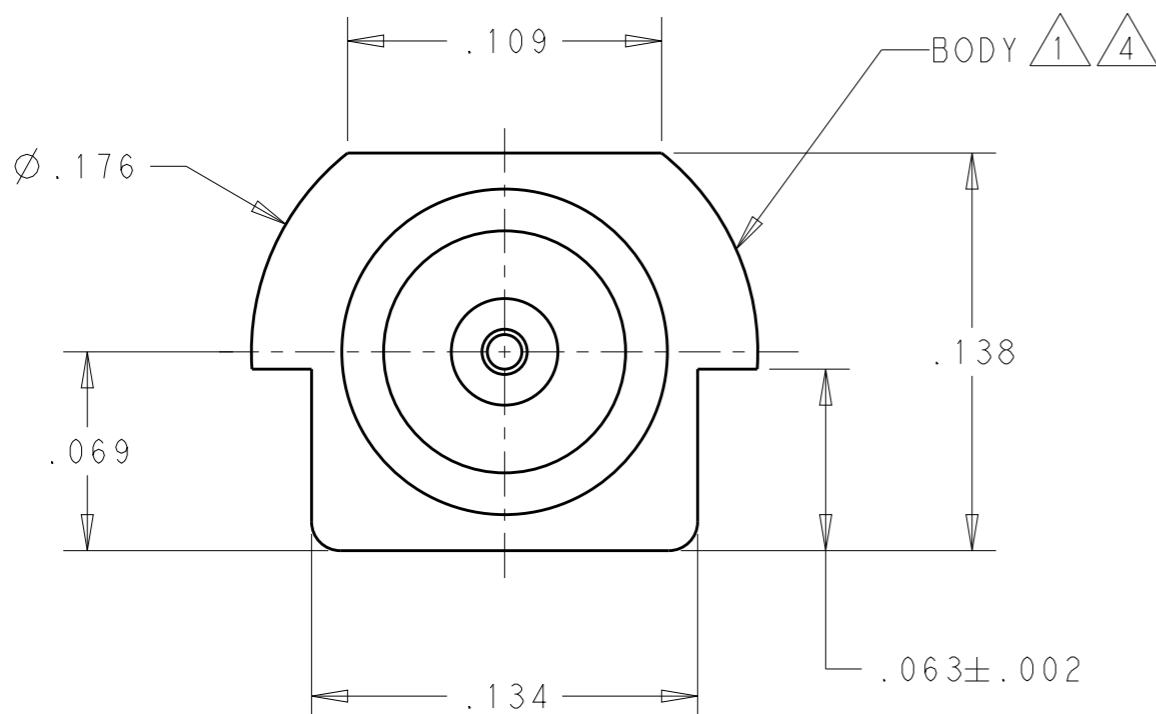
THIS DRAWING IS UNPUBLISHED.

RELEASED FOR PUBLICATION

© COPYRIGHT - BY - ALL RIGHTS RESERVED.

LOC	DIST	REVISIONS					
		P	LTR	DESCRIPTION	DATE	DWN	APVD
-	-		C	REV PER ECO 13-008189	5-21-13	CT	BM

- 1 BRASS PER ASTM B 16
- 2 TEFLON (PTFE) PER ASTM D 1710
- 3 BERYLLIUM COPPER PER ASTM B 196
- 4 GOLD PLATE, .000050 MIN THICK, PER MIL-G-45204 OVER NICKEL PLATE, .000100 MIN THICK, PER QQ-N-290
- 5 SMPM FULL DETENT INTERFACE PER MIL-STD-348, FIGURE 328-2
- 6 SMPM SMOOTH BORE INTERFACE PER MIL-STD-348, FIGURE 328-3



6	1757640-2
5	1757640-1
INTERFACE	PART NUMBER

THIS DRAWING IS A CONTROLLED DOCUMENT.		DWN B. MOYER 31MAY2005	STE TE Connectivity	
DIMENSIONS: INCHES		CHK W. MOYER 5-16-11		
TOLERANCES UNLESS OTHERWISE SPECIFIED:		APVD B. MOYER 5-16-11	NAME SMPM, MALE, PCB, EDGE MOUNT, 50 OHM	
0 PLC ±-		PRODUCT SPEC 108-2242	SIZE A3	
1 PLC ±-		APPLICATION SPEC -	CAGE CODE 00779	DRAWING NO 1757640
2 PLC ±.01		WEIGHT -	RESTRICTED TO -	
3 PLC ±.005		CUSTOMER DRAWING	SCALE 15:1	SHEET 1 OF 1
4 PLC ±-			REV C	
ANGLES ±3				
MATERIAL -	FINISH -			