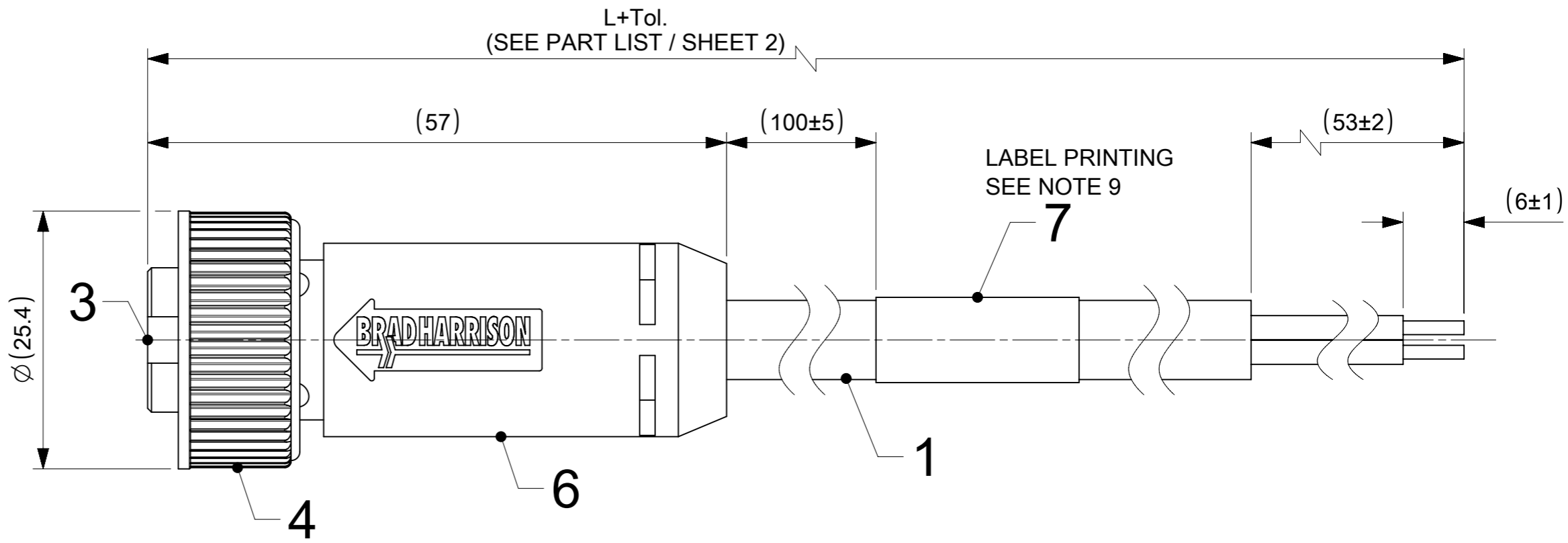


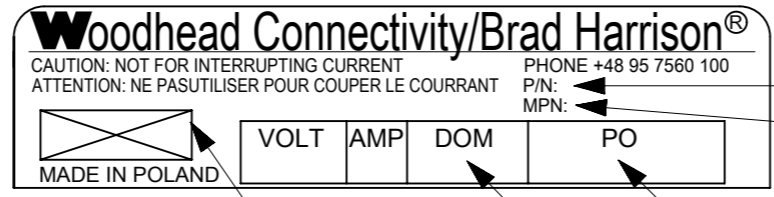
VIEW FROM THE FRONT SIDE



NOTES:

1. MATERIAL: AS NOTED
2. FINISH: AS NOTED
3. ELECTRICAL:
VOLTAGE: 600 V
CURRENT: 10 A
4. TEMPERATURE RATING:
STATIC: -40 °C TO 90 °C
DYNAMIC: -25 °C TO 80 °C
5. PROTECTION: IP67 (WHEN MATED)
6. UL CERTIFICATION: UL LISTED, FILE NO. E152210
7. UV RESISTANCE: YES (UL1581/2556-300h)
8. HOMOLOGATION: UL STYLE 21215 + CSA; RATING 80°C 600V
9. LABEL PRINTING ACC. STANDARD LABEL INSTRUCTION

LABEL PRINTING



ENGINEERING NO.
MOLEX PN

PO NO.
PRODUCT. DATE

CERTIFICATION SYMBOLS

WIRING DIAGRAM

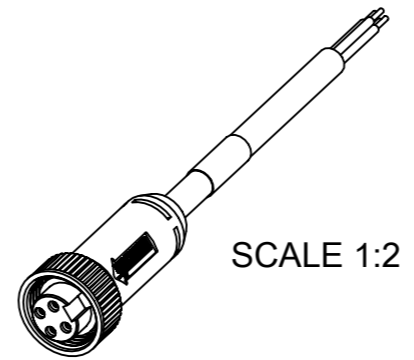
MC 4P
FEMALE



CENELEC PIN-OUT
(SAE PIN-OUT IN PARANTHESIS)

BILL OF MATERIAL

ITEM	QTY	DESCRIPTION	MATERIAL	FINISH/COLOR
1	-	CABLE #16-4, OD=7.8MM,WSR	TPU	GRAY
2	4	FEMALE CONTACT	Cu ALLOY	GOLD OVER NICKEL
3	1	INSERT	TPE	BLACK
4	1	COUPLING NUT	ZINC DIE-CAST	BLACK E-COAT
5	1	FRICTION RING	NYLON	NATURAL
6	-	OVERMOLD	TPE	BLACK
7	1	LABEL	VINYL	YELLOW



FUNCTIONAL SYMBOLS ▽/A = 0 ▽/E = 0 ▽/V = 0	THIS DRAWING CONTAINS INFORMATION THAT IS PROPRIETARY TO MOLEX ELECTRONIC TECHNOLOGIES, LLC AND SHOULD NOT BE USED WITHOUT WRITTEN PERMISSION	CURRENT REV DESC: NOTES UPDATED, LABEL PRINTING ADDED		molex		
	DIMENSION UNITS: mm	SCALE: 2:1	GENERAL TOLERANCES (UNLESS SPECIFIED)			CSE MC 4P A-SIZE FE STR WSOR XM SE
DIVISIONAL SYMBOLS	ANGULAR TOL ± 1.0 °	4 PLACES ±	3 PLACES ±	PRODUCT CUSTOMER DRAWING		
	2 PLACES ± 0.05	1 PLACE ± 0.3	0 PLACES ± 0.5	DOCUMENT NUMBER: 1300068198		
	DRAFT WHERE APPLICABLE MUST REMAIN WITHIN DIMENSIONS			EC NO: 747270	DRWN: RSILLER	2023/04/19
	THIRD ANGLE PROJECTION			CHK'D: RSILLER	2023/04/27	2023/04/27
DRAWING: A3-SIZE			SERIES: 130006	DRWN: AKABADI	2022/07/25	
MATERIAL NUMBER: SEE PART LIST			CUSTOMER: GENERAL MARKET	APPR: RSILLER	2023/01/30	
SHEET NUMBER: 1 OF 2						

PART No. MATRIX

1 0 4 0 0 0 B 3 5 M X X X

10 = A-SIZE
single ended

Poles:
4 = 4 Poles

Heads style:
000 = Female straight


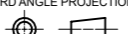
Cable:
B35 = 4x1.5mm² TPU GY

Units:
M = Meter

Length
Examples:
005 = 0.5 m
010 = 1 m
050 = 5 m
100 = 10 m
150 = 15 m

PART LIST

MOLEX PN	ENGINEERING NO.	L+Tol. [mm]
1300068187	104000B35M020	2000+89
1300068188	104000B35M030	3000+89
1300068189	104000B35M040	4000+165
1300068190	104000B35M050	5000+165
1300068196	104000B35M100	10000+317
1300068197	104000B35M150	15000+610
1300068198	104000B35M200	20000+610

FUNCTIONAL SYMBOLS	THIS DRAWING CONTAINS INFORMATION THAT IS PROPRIETARY TO MOLEX ELECTRONIC TECHNOLOGIES, LLC AND SHOULD NOT BE USED WITHOUT WRITTEN PERMISSION			
	$\nabla_A = 0$ $\nabla_F = 0$ $\nabla_V = 0$	DIMENSION UNITS mm	SCALE 1:1	
DIVISIONAL SYMBOLS	CURRENT REV DESC: NOTES UPDATED, LABEL PRINTING ADDED		 CSE MC 4P A-SIZE FE STR WSOR XM SE	
	EC NO: 747270 DRWN: RSILLER 2023/04/19 CHK'D: RSILLER 2023/04/27 APPR: RSILLER 2023/04/27			PRODUCT CUSTOMER DRAWING
	INITIAL REVISION:		DOCUMENT NUMBER	DOC TYPE
	DRWN: AKABADI 2022/07/25 APPR: RSILLER 2023/01/30		1300068198	PSD
	DRAFT WHERE APPLICABLE MUST REMAIN WITHIN DIMENSIONS		THIRDS ANGLE PROJECTION 	DRAWING A3-SIZE
		SERIES	MATERIAL NUMBER	
		130006	CUSTOMER GENERAL MARKET	
			SHEET NUMBER 2 OF 2	