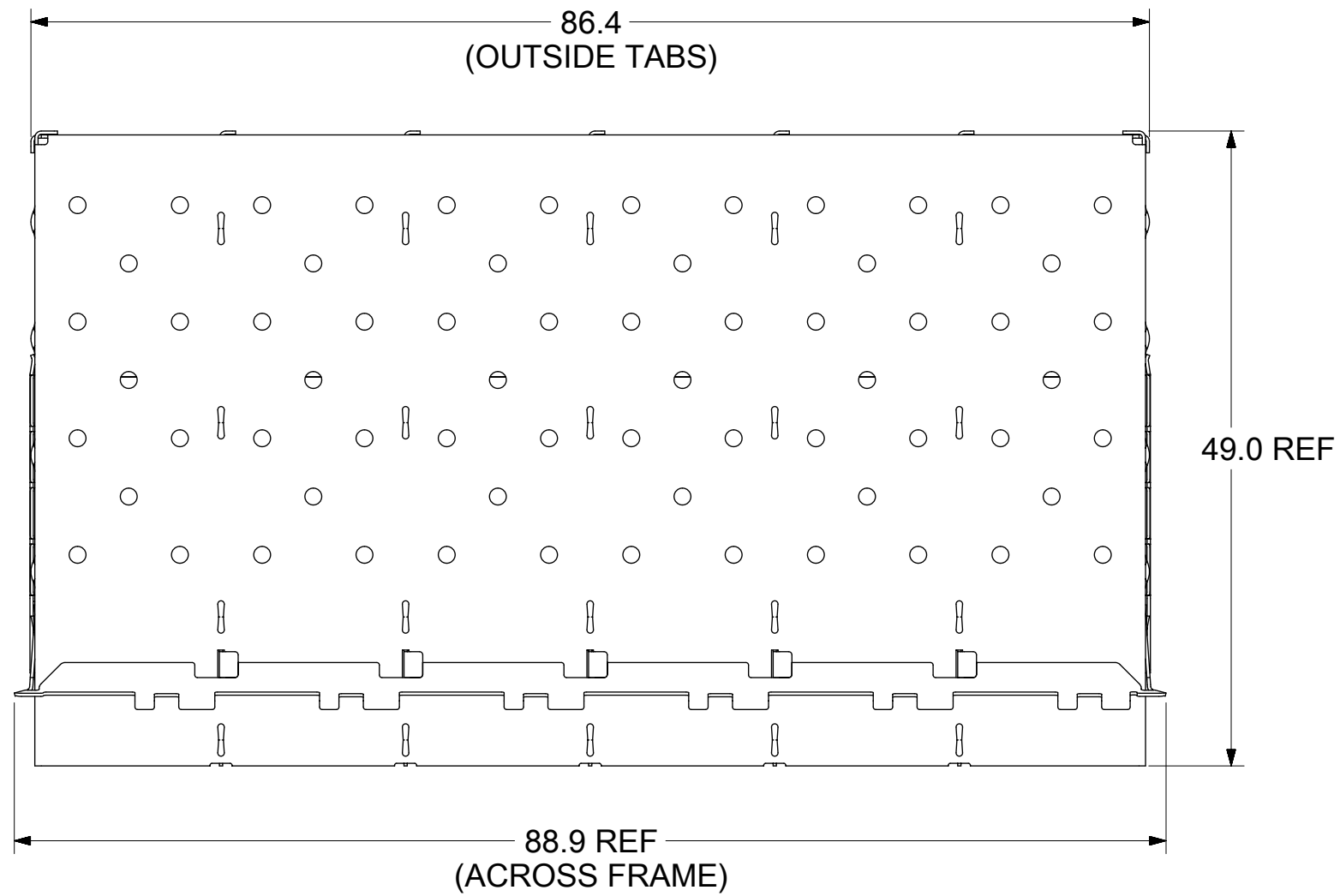


BASE CAGE DETAILS

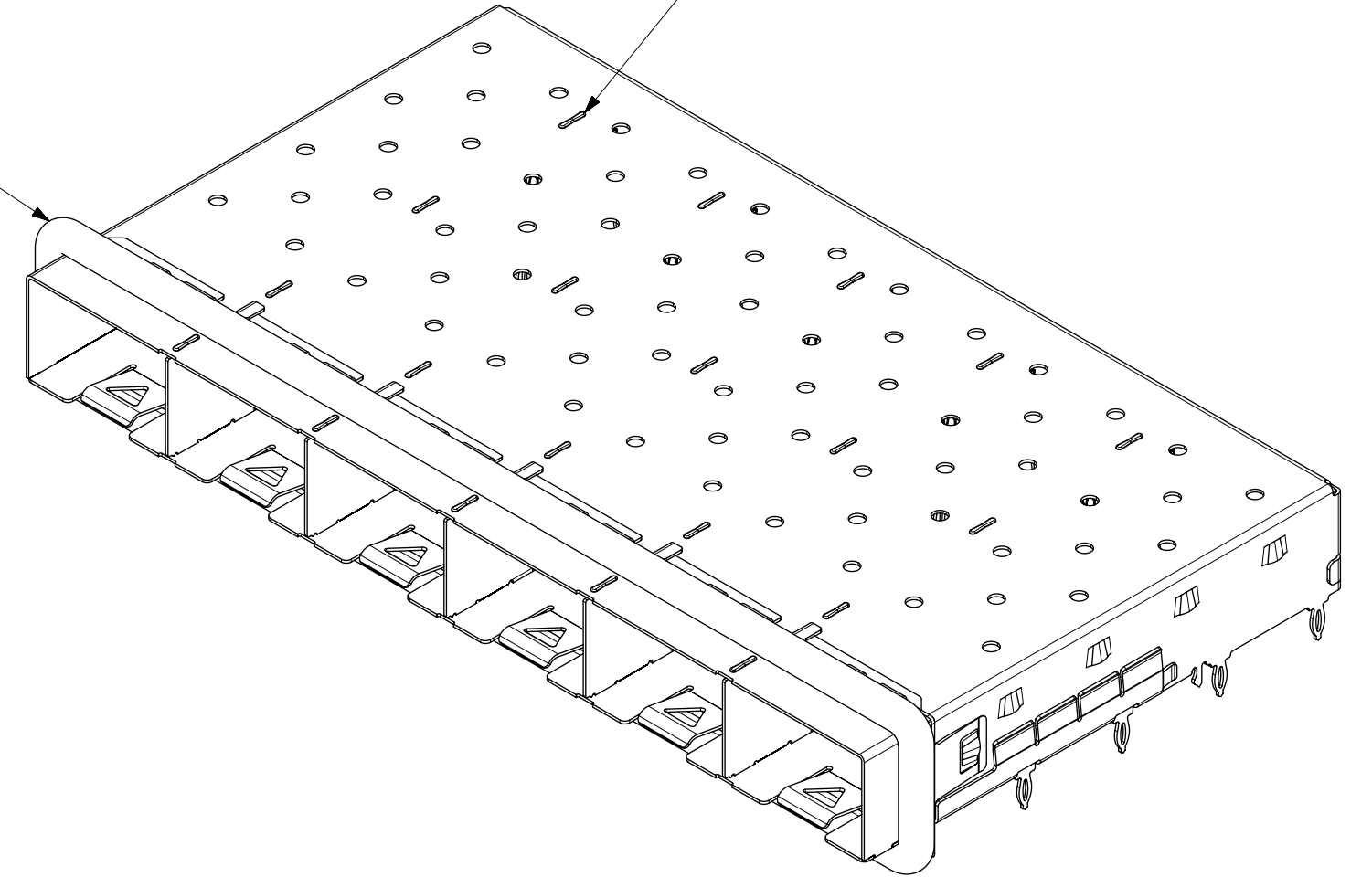
(APPLIES TO ALL CAGES IN THIS DRAWING)

747540610
 SHOWN

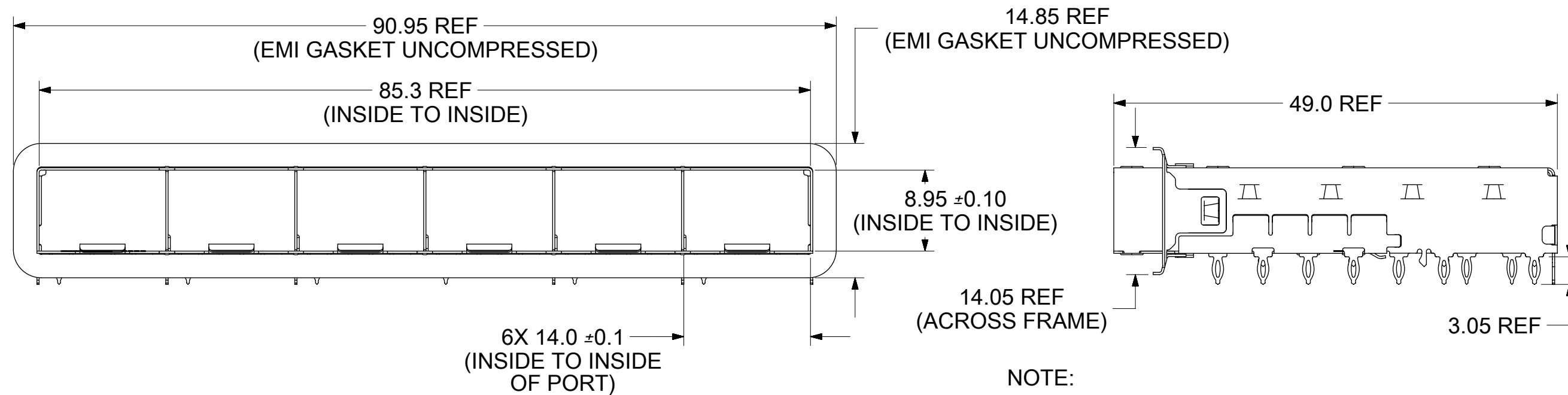


360° SOFT ELASTOMERIC GASKET

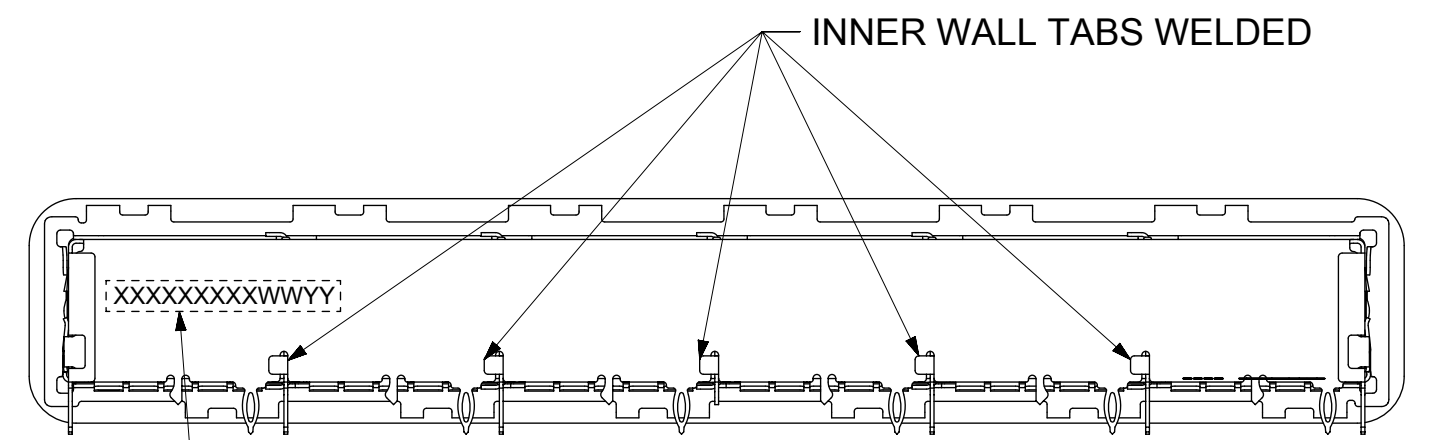
INNER WALLS ARE COINED FOR EXTRA RIGIDITY



NOTE:
 EMI GASKET REMOVED FROM THIS VIEW FOR CLARITY.



NOTE:
 EMI GASKET REMOVED FROM THIS VIEW FOR CLARITY.



INNER WALL TABS WELDED

PN/DATE CODE TO BE PRINTED ON THE BACK OF COMPLETED CAGE ASSEMBLY APPROXIMATELY AS SHOWN.

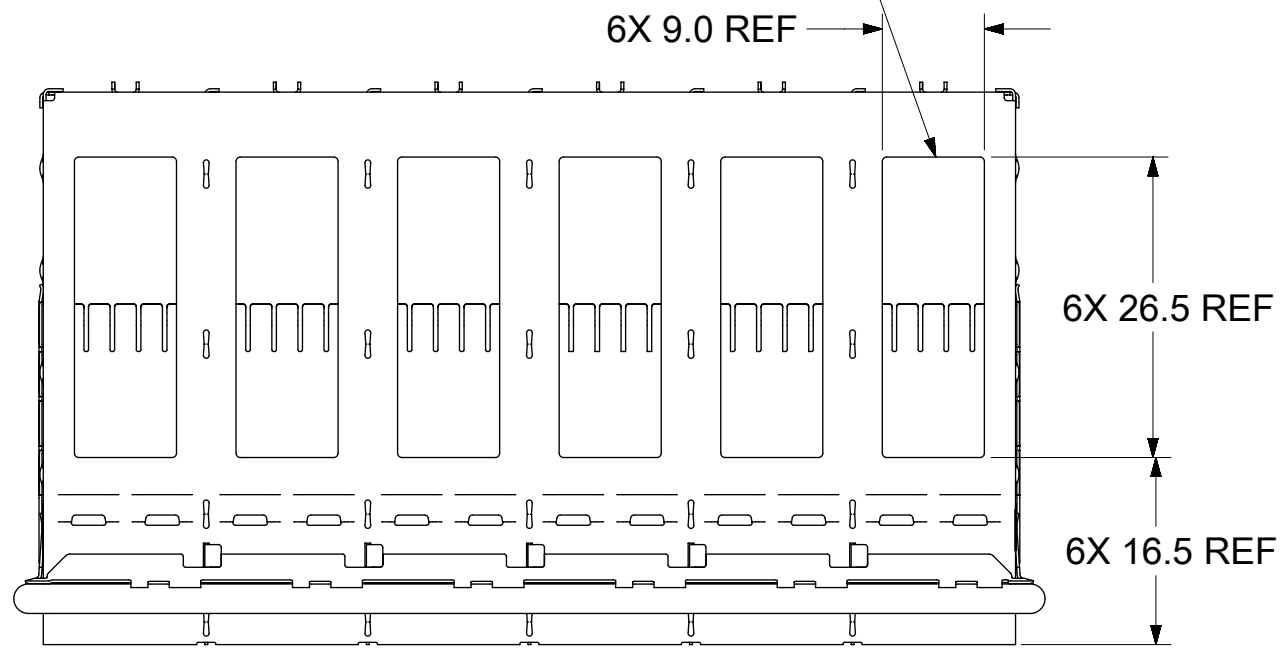
- NOTES:
- MATERIAL:
 CAGE: 0.25mm THICK COPPER ALLOY, NICKEL PLATED.
 SPRING FINGERS: 0.10mm THICK COPPER ALLOY, NICKEL PLATED.
 HEATSINK: ALUMINUM, NICKEL PLATED.
 HEATSINK SPRING CLIP: STAINLESS STEEL.
 - PRESS FIT LEGS 3.05mm LONG:
 - PORTS ARE DESIGNED FOR SFP+ TRANSCEIVERS AND ARE COMPATIBLE WITH SFP TRANSCEIVERS. THE TOP SURFACE OF THE MODULE MUST BE FLAT (NO PRODUCT LABEL RECESS) AND THERMALLY CONDUCTIVE TO FUNCTION OPTIMALLY.
 - WELD SPOT MAY SHOW SLIGHT MATERIAL DISCOLORATION.
 - NO RoHS EXEMPTIONS.
 - CUSTOM HEATSINKS AVAILABLE UPON REQUEST.

WEEK/YEAR DATE CODE TABLE	
WW	01 THRU 52, EXAMPLE: 01 = FIRST WEEK OF YEAR, 52 = LAST WEEK OF YEAR
YY	17, 18, 19 ETC. EXAMPLE: YEAR 2017 = 17

THIS DRAWING CONTAINS INFORMATION THAT IS PROPRIETARY TO MOLEX ELECTRONIC TECHNOLOGIES, LLC AND SHOULD NOT BE USED WITHOUT WRITTEN PERMISSION		DIMENSION UNITS MM		SCALE 2:1				
GENERAL TOLERANCES (UNLESS SPECIFIED)		DRWN BY MHANUMAPPARE		DATE 2017/02/27				
ANGULAR TOL ± 1.0 °		CHKD BY DSUN15		DATE 2017/04/27		PRODUCT CUSTOMER DRAWING		
4 PLACES ±		APPR BY RCHEN08		DATE 2017/05/03		SERIES 111112		
3 PLACES ±		DRAWING SIZE C		THIRD ANGLE PROJECTION		MATERIAL NUMBER SEE SHEET 4		
2 PLACES ± 0.13		DRAFT WHERE APPLICABLE MUST REMAIN WITHIN DIMENSIONS		C		CUSTOMER GENERAL MARKET		
1 PLACE ± 0.25						DOCUMENT NUMBER 111122610		
0 PLACES ±						DOC TYPE PSD		
						DOC PART ASY		
						SHEET NUMBER 1 OF 9		

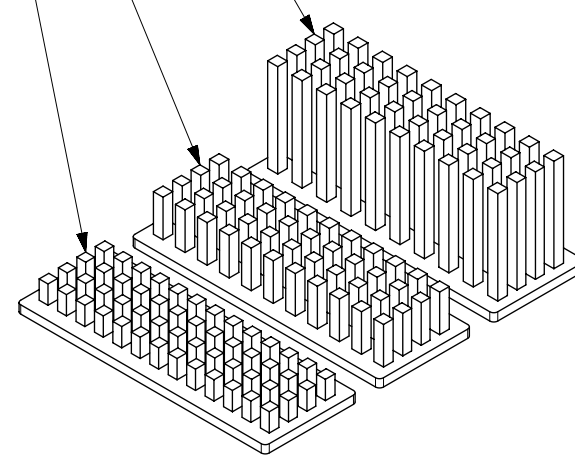
CAGE ASSEMBLY OPTIONS

OPEN TOP
111120610
SHOWN
(APPLIES TO ALL
OPEN TOP CAGES)



HEATSINK OPTIONS

PIN FIELD NETWORKING
PIN FIELD SAN
PIN FIELD PCI



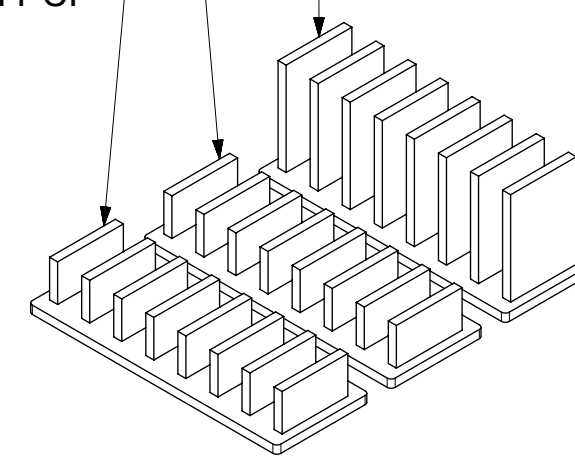
OVERALL HEATSINK HEIGHT

APPLICATION	DIM 'A'
PCI	14.3
SAN	16.6
NETWORKING	23.6

NOTE: PCI - 13 ROWS
SAN - 11 ROWS
NETWORKING - 10 ROWS

HEATSINK OPTIONS

LATERAL FIN NETWORKING
LATERAL FIN SAN
LATERAL FIN PCI

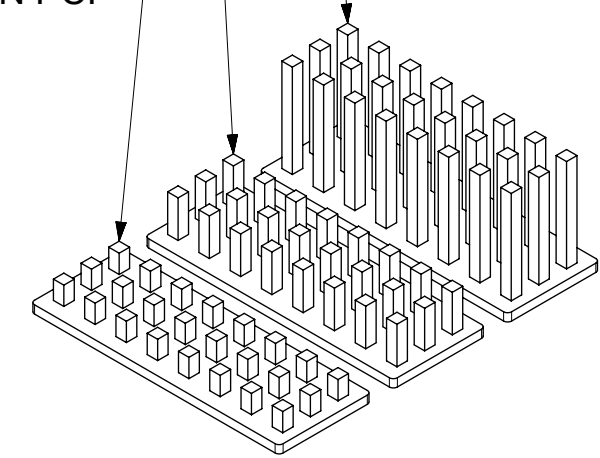


OVERALL HEATSINK HEIGHT

APPLICATION	DIM 'A'
PCI	14.3
SAN	16.6
NETWORKING	23.6

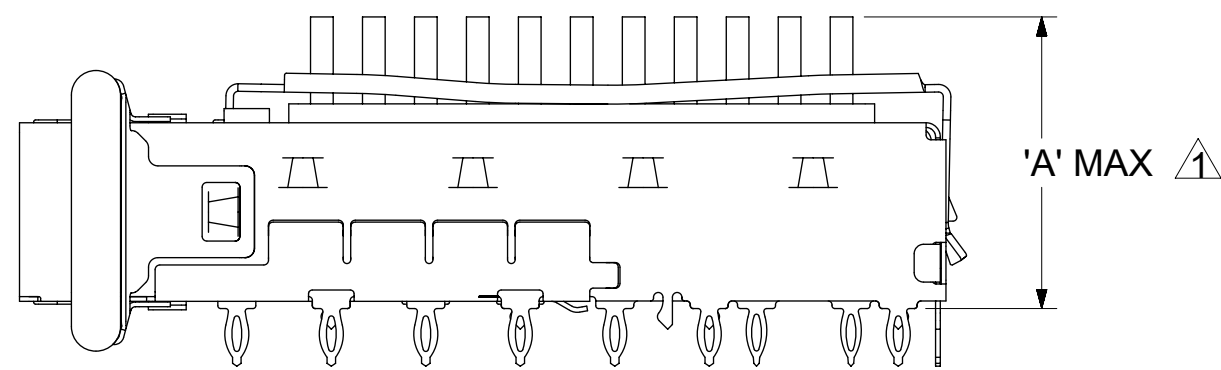
HEATSINK OPTIONS

WIDE GAP PIN NETWORKING
WIDE GAP PIN SAN
WIDE GAP PIN PCI



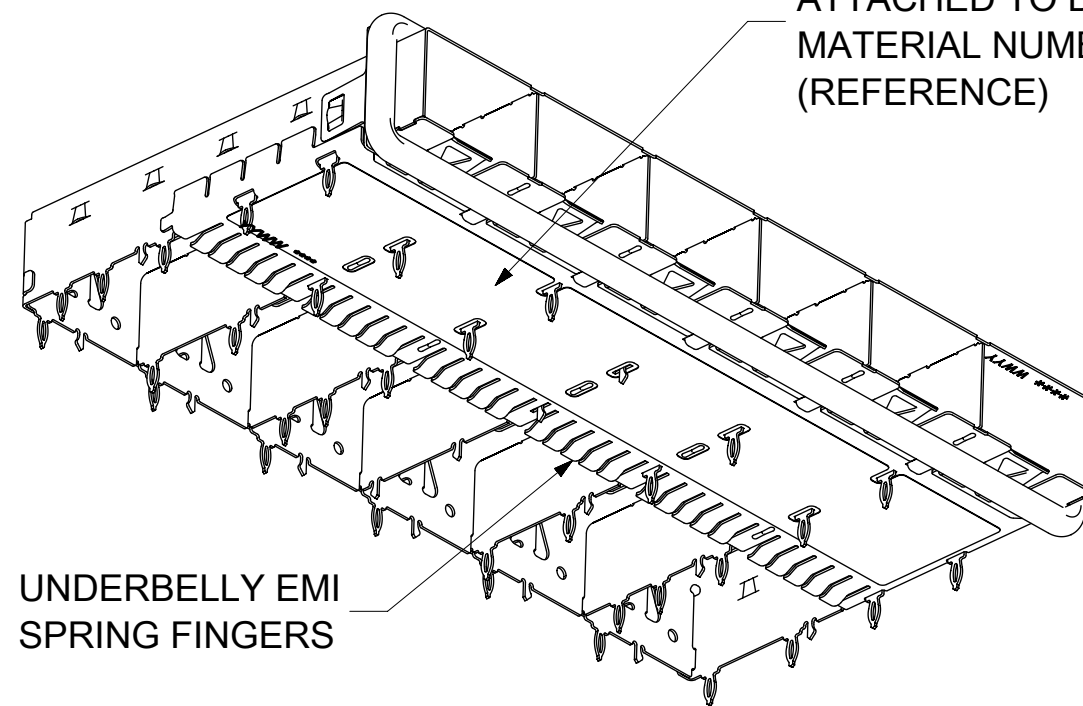
OVERALL HEATSINK HEIGHT

APPLICATION	DIM 'A'
PCI	14.3
SAN	16.6
NETWORKING	23.6

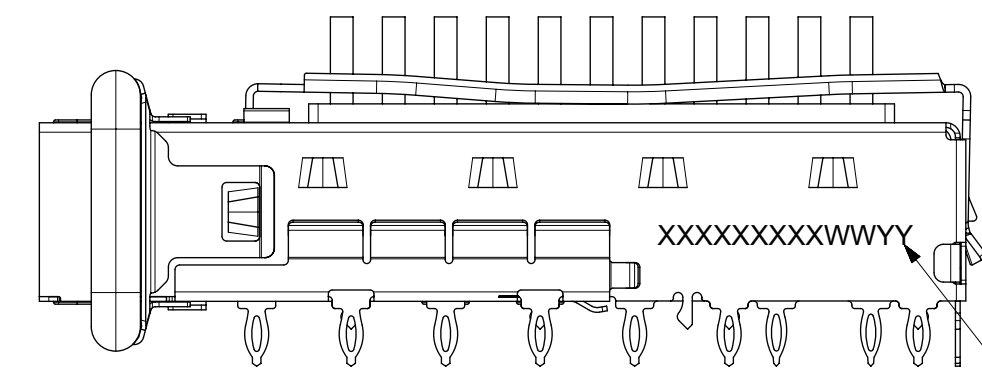


NOTES:
HEIGHT OF HEATSINK WITH MODULE INSERTED.
DIMENSION MAY BE LESS DUE TO MODULE AND HEATSINK VARIATIONS.

OPTIONAL POLYIMIDE INSULATOR
ATTACHED TO BOTTOM OF CAGE
MATERIAL NUMBER 739300634
(REFERENCE)



UNDERBELLY EMI
SPRING FINGERS

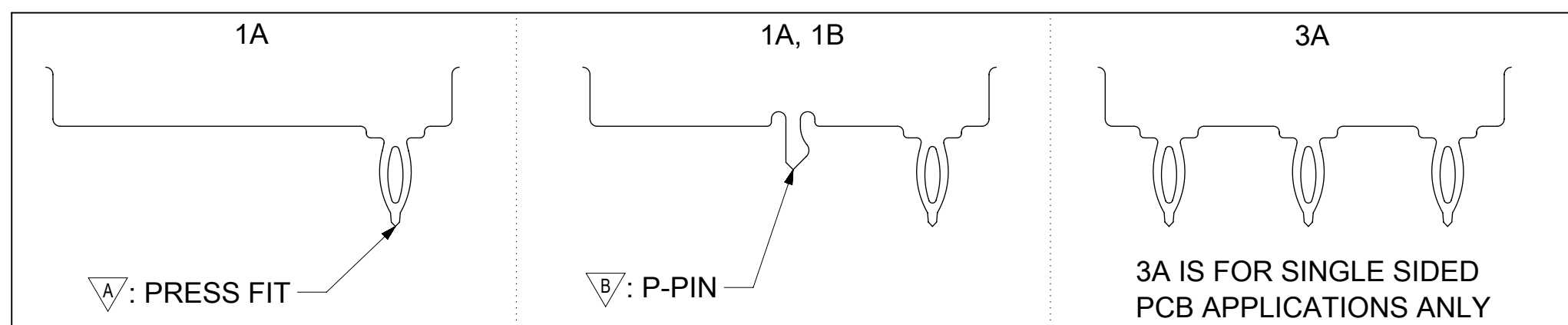


PN/DATE CODE TO BE PRINTED ON THE SIDE OF
COMPLETED CAGE ASSEMBLY APPROXIMATELY AS SHOWN.

WEEK/YEAR DATE CODE TABLE

WW	01 THRU 52, EXAMPLE: 01 = FIRST WEEK OF YEAR, 52 = LAST WEEK OF YEAR
YY	17, 18, 19 ETC. EXAMPLE: YEAR 2017 = 17

REAR LEG OPTIONS (PER PORT)



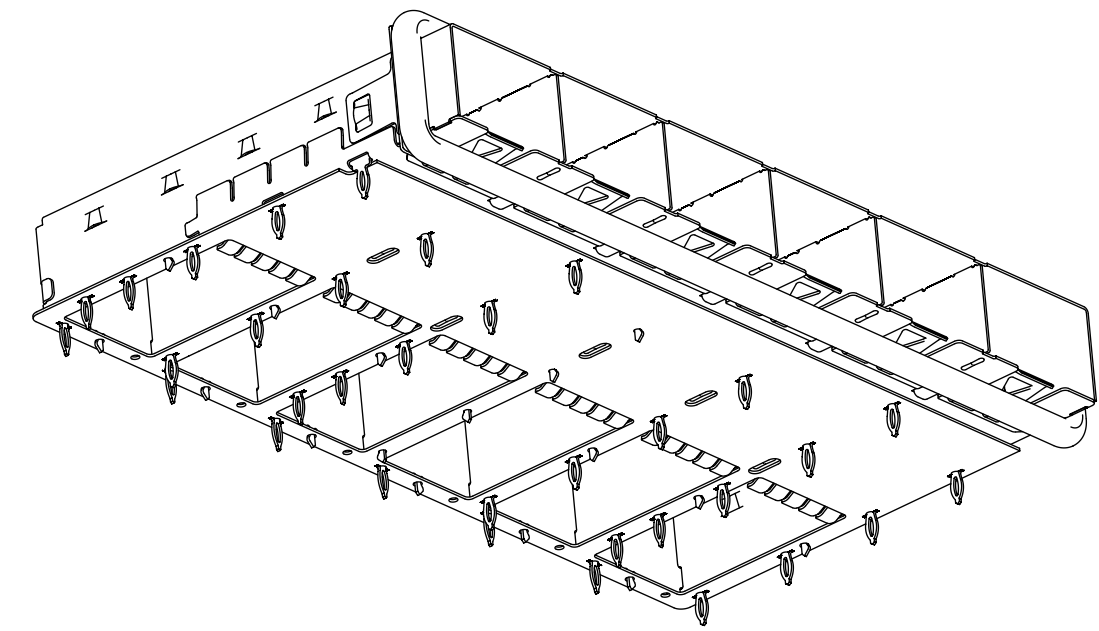
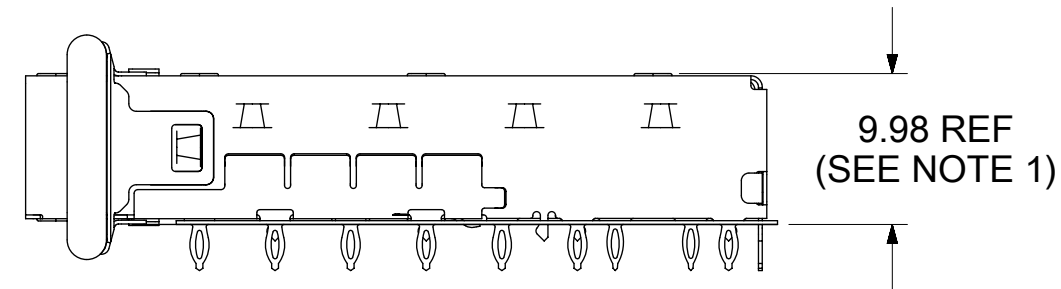
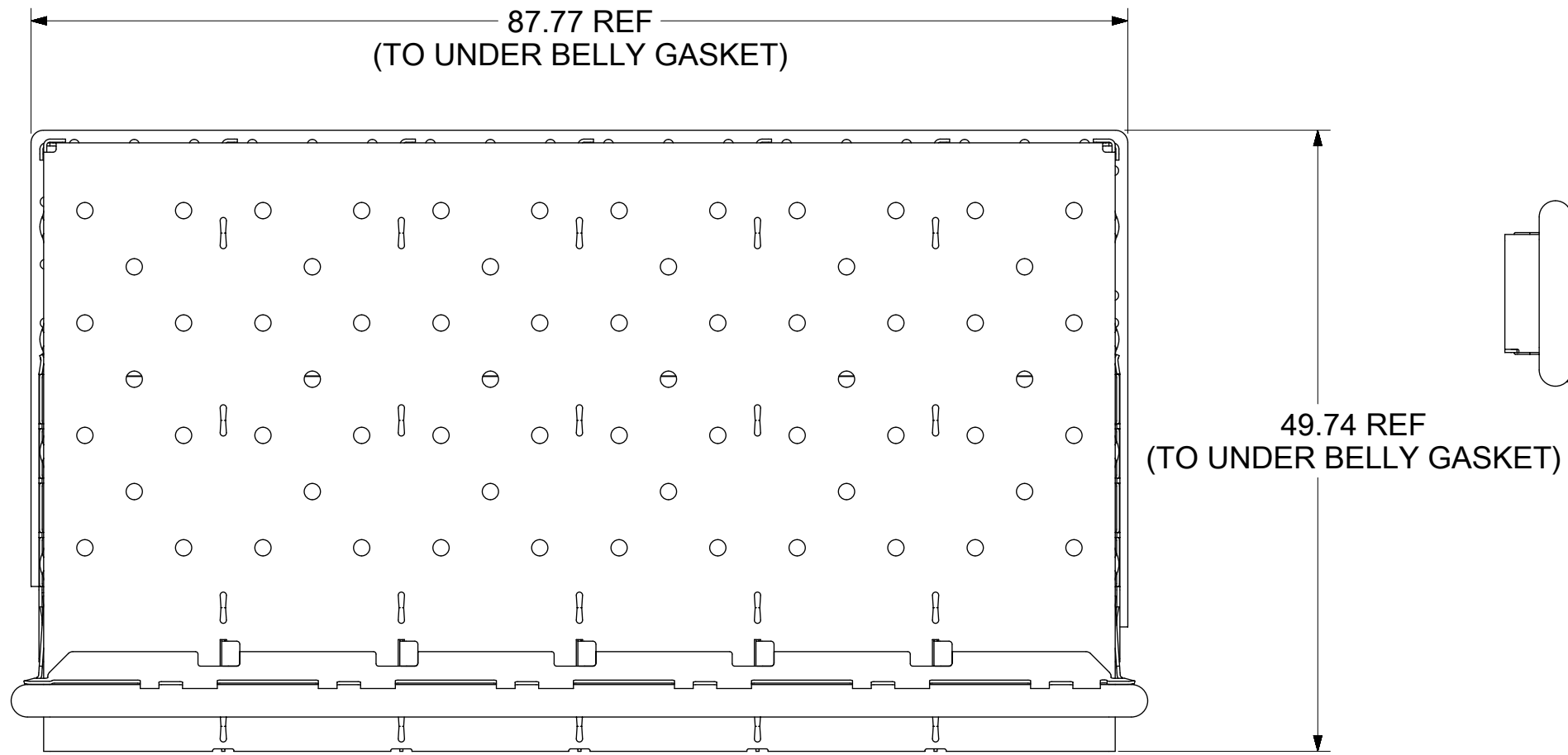
THIS DRAWING CONTAINS INFORMATION THAT IS PROPRIETARY TO MOLEX ELECTRONIC TECHNOLOGIES, LLC AND SHOULD NOT BE USED WITHOUT WRITTEN PERMISSION

SEE REVISION TABLE EC NO: 116175 DRWN: MHANUMAPPARE CHKD: DSUN15 REV: APPR: RCHEN08	2017/02/27	2017/04/27	2017/05/03
	GENERAL TOLERANCES (UNLESS SPECIFIED)		
	DIMENSION UNITS: MM		SCALE: 1.5:1
	DRAWN BY: MHANUMAPPARE		
4 PLACES ±		DATE: 2017/02/27	<p>1X6 SFP+ CAGE, 120 INCH PRESS FIT, HEAT SINK, ELASTOMERIC GASKET</p> <p>PRODUCT CUSTOMER DRAWING</p>
3 PLACES ±		DATE: 2017/04/27	
2 PLACES ± 0.13		DATE: 2017/05/03	
1 PLACE ± 0.25			
0 PLACES ±			
DRAFT WHERE APPLICABLE MUST REMAIN WITHIN DIMENSIONS		DRAWING SIZE: C	THIRD ANGLE PROJECTION
RELEASE STATUS: P1	RELEASE DATE: 03.05.2017	06:33:50	
SERIES: 111112	MATERIAL NUMBER: SEE SHEET 4	CUSTOMER: GENERAL MARKET	
DOCUMENT NUMBER: 111122610	DOC TYPE: PSD	DOC PART: ASY	SHEET NUMBER: 2 OF 9

OPTIONAL GEN 2 UNDER BELLY GASKET

1001150610

SHOWN



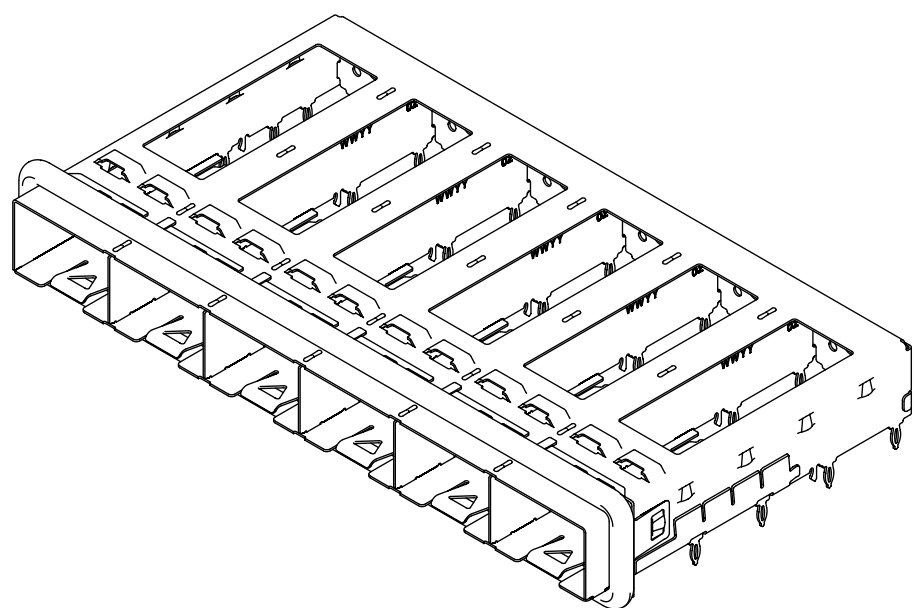
NOTE:
1. CAGE LEG STANDOFF WILL PIERCE GASKET WHEN PROPERLY PRESSED INTO PCB

THIS DRAWING CONTAINS INFORMATION THAT IS PROPRIETARY TO MOLEX ELECTRONIC TECHNOLOGIES, LLC AND SHOULD NOT BE USED WITHOUT WRITTEN PERMISSION

SEE REVISION TABLE EC NO: 116175 DRWN: MHANUMAPPARE CHKD: DSUN15 REV: APPR: RCHEN08	2017/02/27	2017/04/27	2017/05/03	GENERAL TOLERANCES (UNLESS SPECIFIED) ANGULAR TOL ± 1.0 ° 4 PLACES ± 3 PLACES ± 2 PLACES ± 0.13 1 PLACE ± 0.25 0 PLACES ± DRAFT WHERE APPLICABLE MUST REMAIN WITHIN DIMENSIONS	DIMENSION UNITS	SCALE	<p>1X6 SFP+ CAGE.120 INCH PRESS FIT, HEAT SINK, ELASTOMERIC GASKET</p> <p>PRODUCT CUSTOMER DRAWING</p>		
	MHANUMAPPARE	DSUN15	RCHEN08		MM	2:1			
	DRWN BY	DATE	DATE		MHANUMAPPARE	2017/02/27		2017/04/27	
	CHKD BY	DATE	DATE		DSUN15	2017/04/27		2017/05/03	
	APPR BY	DATE	DATE		RCHEN08	2017/05/03			
				DRAWING SIZE	THIRD ANGLE PROJECTION	SERIES	MATERIAL NUMBER	CUSTOMER	
				C		111112	SEE SHEET 4	GENERAL MARKET	
						DOCUMENT NUMBER	DOC TYPE	DOC PART	SHEET NUMBER
						1111122610	PSD	ASY	3 OF 9

PART NUMBER SELECTION

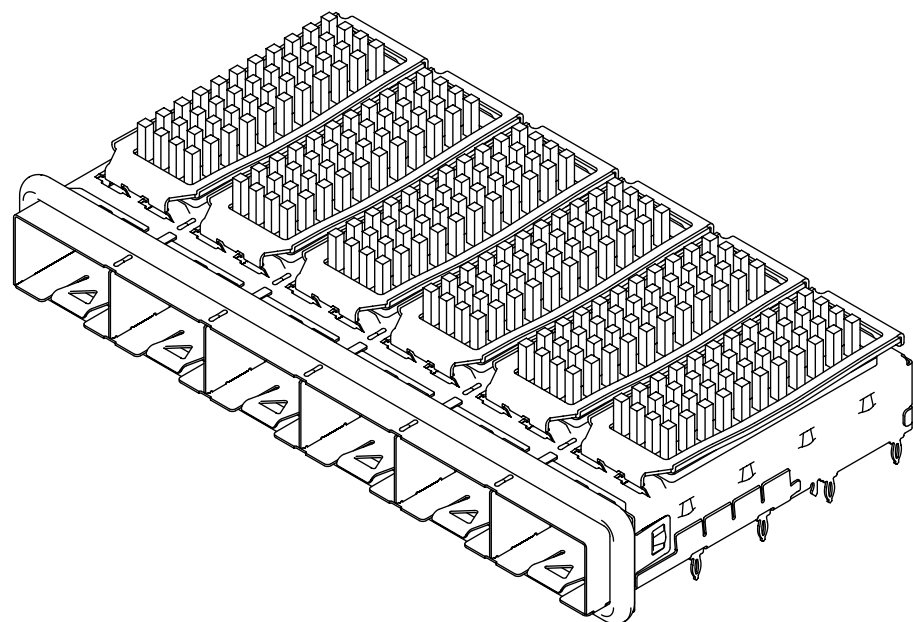
1111120610
SHOWN



SFP+ OPEN TOP BASE CAGE FOR HEATSINKS			
PART NO.	POLYIMIDE INSOLATOR	HEATSINK	# OF REAR LEGS PER PORT
1111120610	---	---	1A, 1B
1111120650	YES	---	1A, 1B

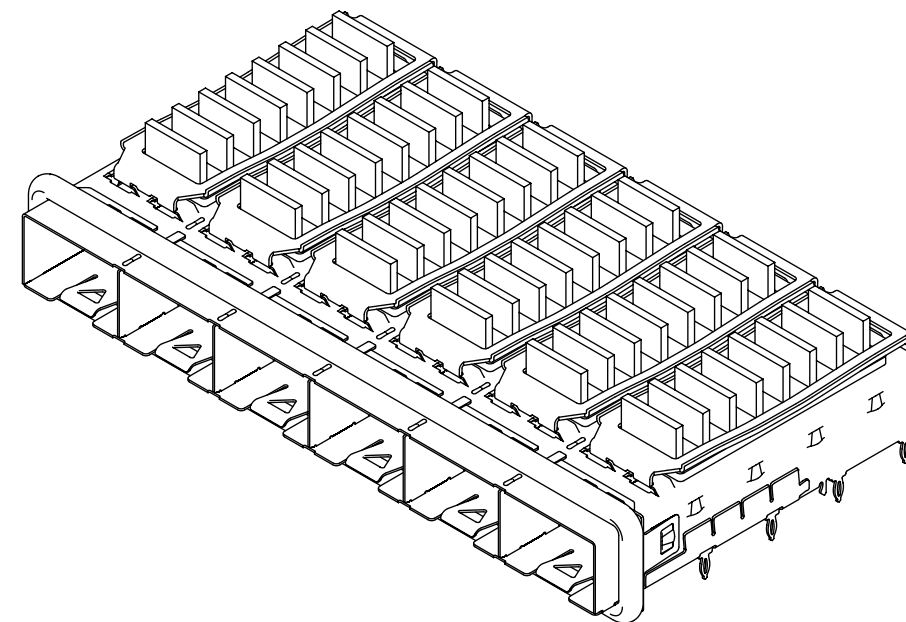
NOTE: PCI - 13 ROWS
SAN - 11 ROWS
NETWORKING - 10 ROWS

1111122610
SHOWN



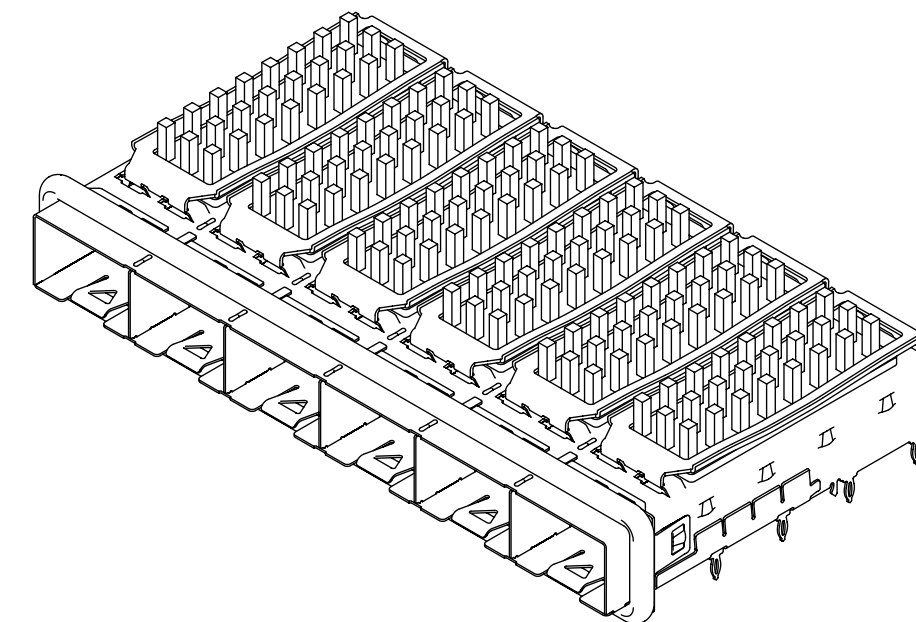
SFP+ PIN FIELD HEATSINK OPTION			
PART NO.	POLYIMIDE INSOLATOR	HEATSINK	# OF REAR LEGS PER PORT
1111121610	---	PCI	1A, 1B
1111121650	YES	PCI	1A, 1B
1111122610	---	SAN	1A, 1B
1111122650	YES	SAN	1A, 1B
1111123610	---	NET	1A, 1B
1111123650	YES	NET	1A, 1B

1111125610
SHOWN



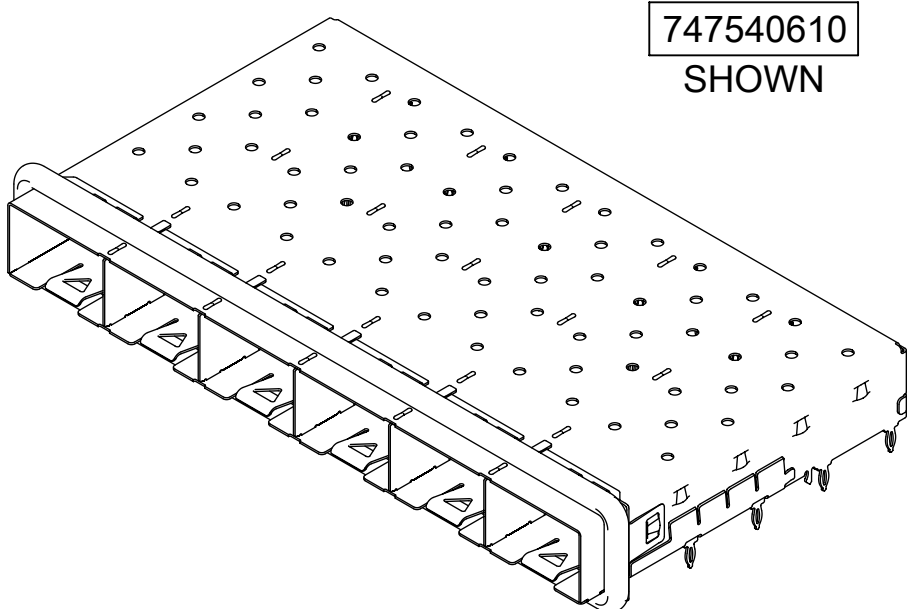
SFP+ LATERAL FIN HEATSINK OPTION			
PART NO.	POLYIMIDE INSOLATOR	HEATSINK	# OF REAR LEGS PER PORT
1111124610	---	PCI	1A, 1B
1111124650	YES	PCI	1A, 1B
1111125610	---	SAN	1A, 1B
1111125650	YES	SAN	1A, 1B
1111126610	---	NET	1A, 1B
1111126650	YES	NET	1A, 1B

1111128610
SHOWN



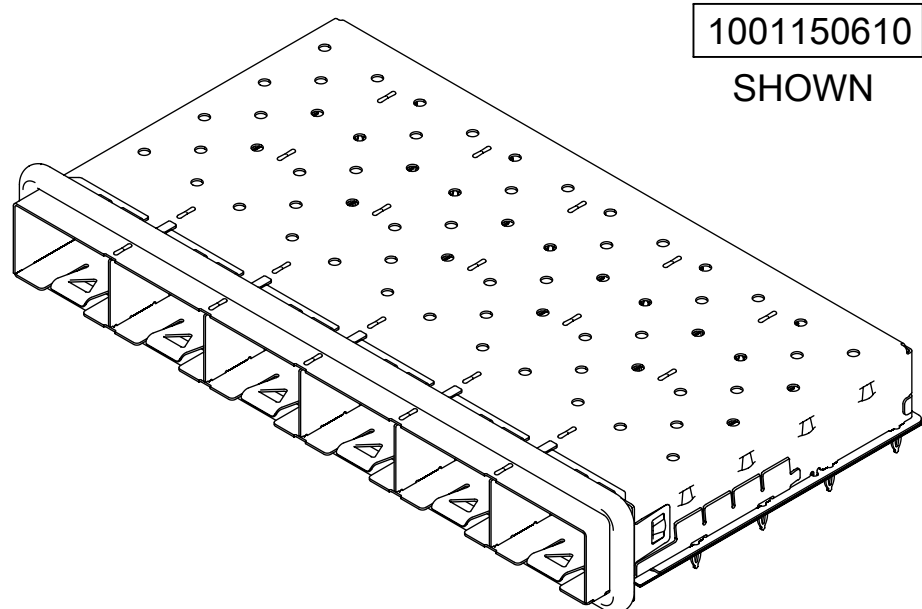
SFP+ WIDE GAP PIN FIELD HEATSINK OPTION			
PART NO.	POLYIMIDE INSOLATOR	HEATSINK	# OF REAR LEGS PER PORT
1111127610	---	PCI	1A, 1B
1111127650	YES	PCI	1A, 1B
1111128610	---	SAN	1A, 1B
1111128650	YES	SAN	1A, 1B
1111129610	---	NET	1A, 1B
1111129650	YES	NET	1A, 1B

747540610
SHOWN



SFP+ CLOSED TOP CAGE			
PART NO.	POLYIMIDE INSOLATOR	HEATSINK	# OF REAR LEGS PER PORT
747540610	---	---	1A, 1B
747540611	---	---	3A
747540613	---	---	1A, 1B

1001150610
SHOWN



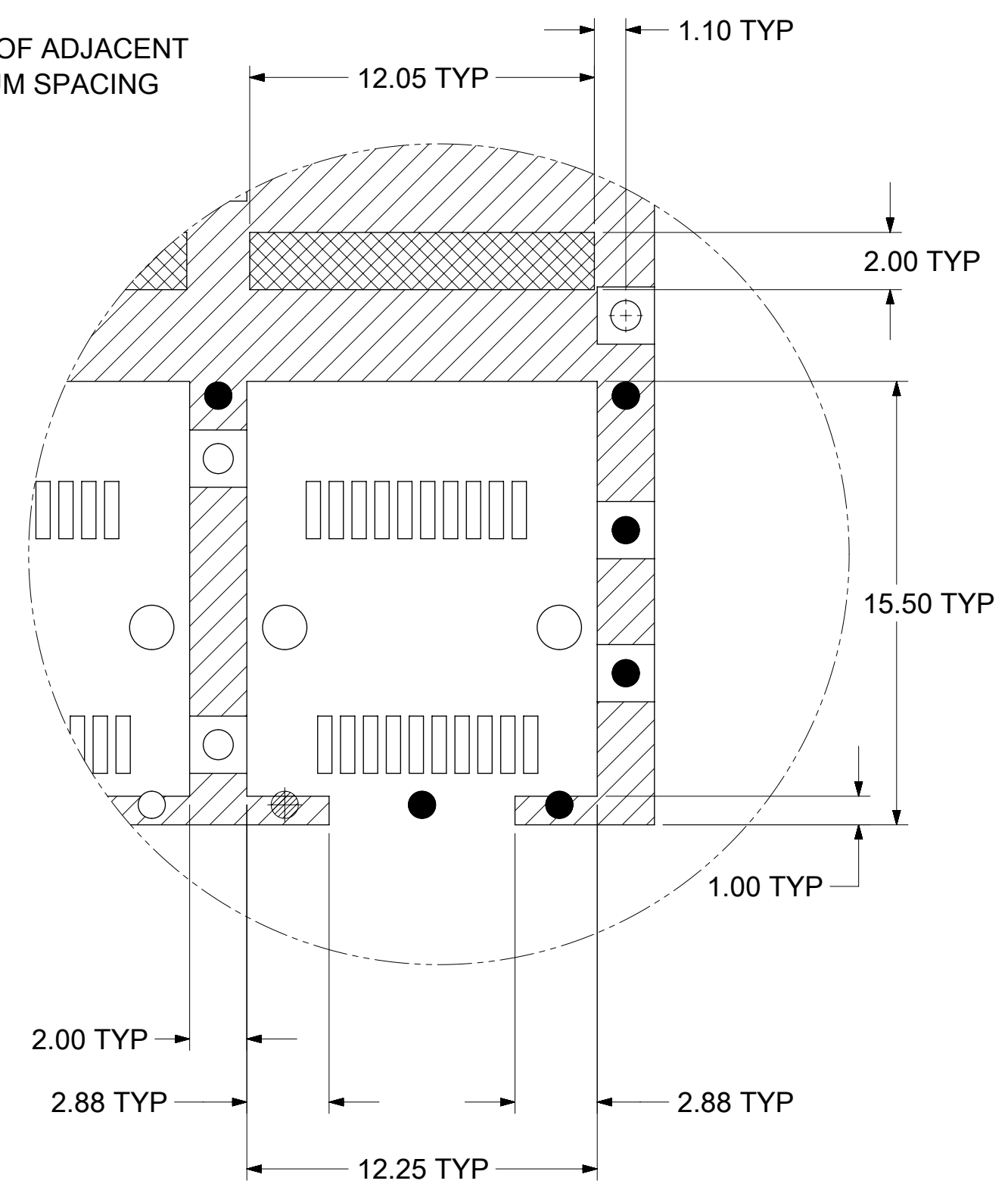
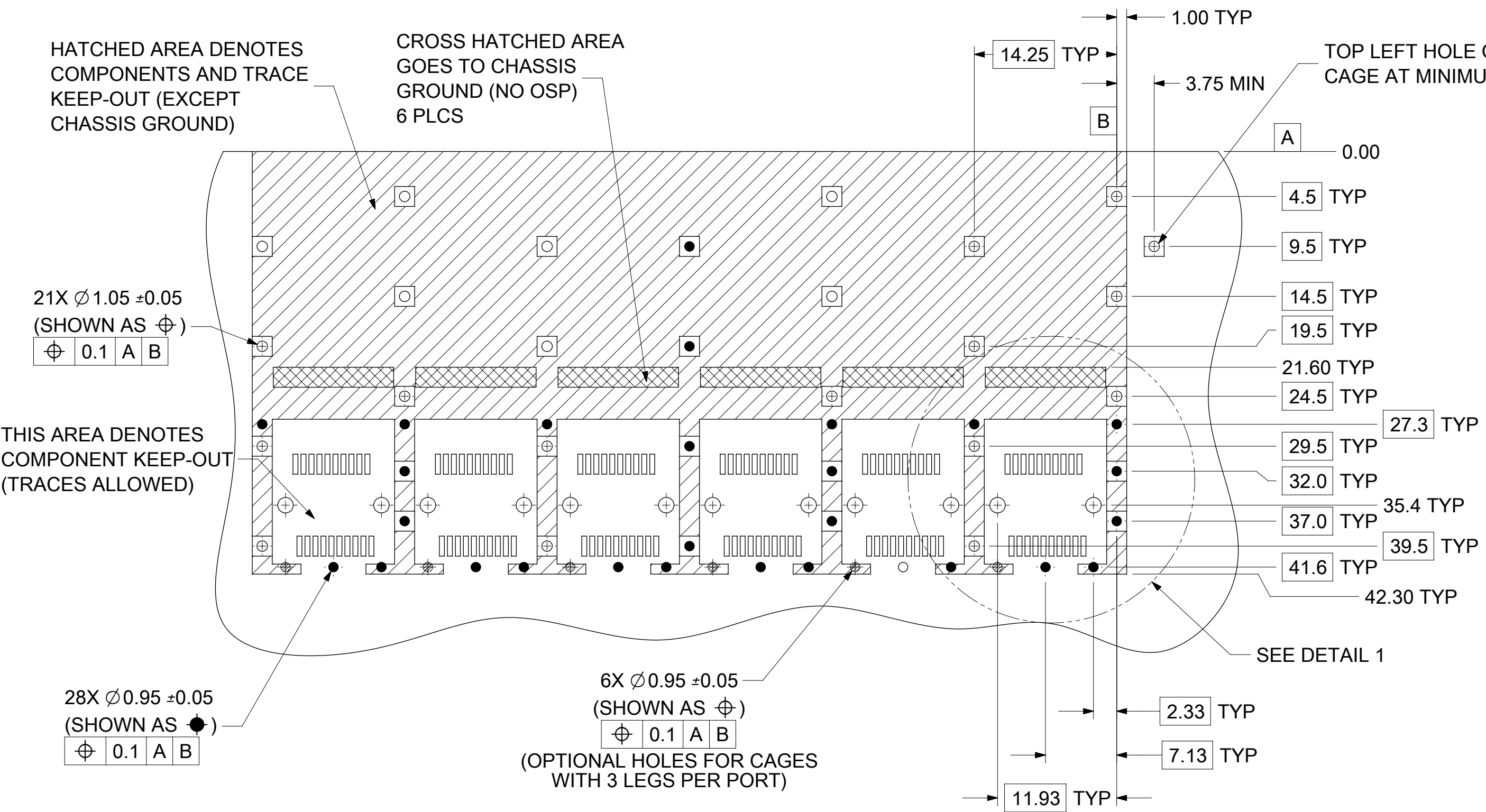
zSFP+ GEN 2 CLOSED TOP BASE CAGE			
PART NO.	POLYIMIDE INSOLATOR	HEATSINK	# OF REAR LEGS PER PORT
1001150610	---	---	1A, 1B

THIS DRAWING CONTAINS INFORMATION THAT IS PROPRIETARY TO MOLEX ELECTRONIC TECHNOLOGIES, LLC AND SHOULD NOT BE USED WITHOUT WRITTEN PERMISSION

SEE REVISION TABLE EC NO: 116175 DRWN: MHANUMAPPARE CHKD: DSUN15 REV / APPR: RCHEN08	2017/02/27	2017/04/27	2017/05/03	GENERAL TOLERANCES (UNLESS SPECIFIED) ANGULAR TOL ± 1.0 ° 4 PLACES ± 3 PLACES ± 2 PLACES ± 0.13 1 PLACE ± 0.25 0 PLACES ± DRAFT WHERE APPLICABLE MUST REMAIN WITHIN DIMENSIONS	DIMENSION UNITS MM	SCALE 1.25:1		
	DRWN BY MHANUMAPPARE		DATE 2017/02/27		DRWN BY MHANUMAPPARE	DATE 2017/02/27		
	CHKD BY DSUN15		DATE 2017/04/27		CHKD BY DSUN15	DATE 2017/04/27		
	APPR BY RCHEN08		DATE 2017/05/03		APPR BY RCHEN08	DATE 2017/05/03		
DRAWING SIZE C		THIRD ANGLE PROJECTION		SERIES 111112		MATERIAL NUMBER SEE TABLE		CUSTOMER GENERAL MARKET
DOCUMENT NUMBER 1111122610				DOC TYPE PSD	DOC PART ASY	SHEET NUMBER 4 OF 9		

PCB LAYOUT FOR SINGLE SIDE MOUNT

HOST CONNECTOR DETAIL

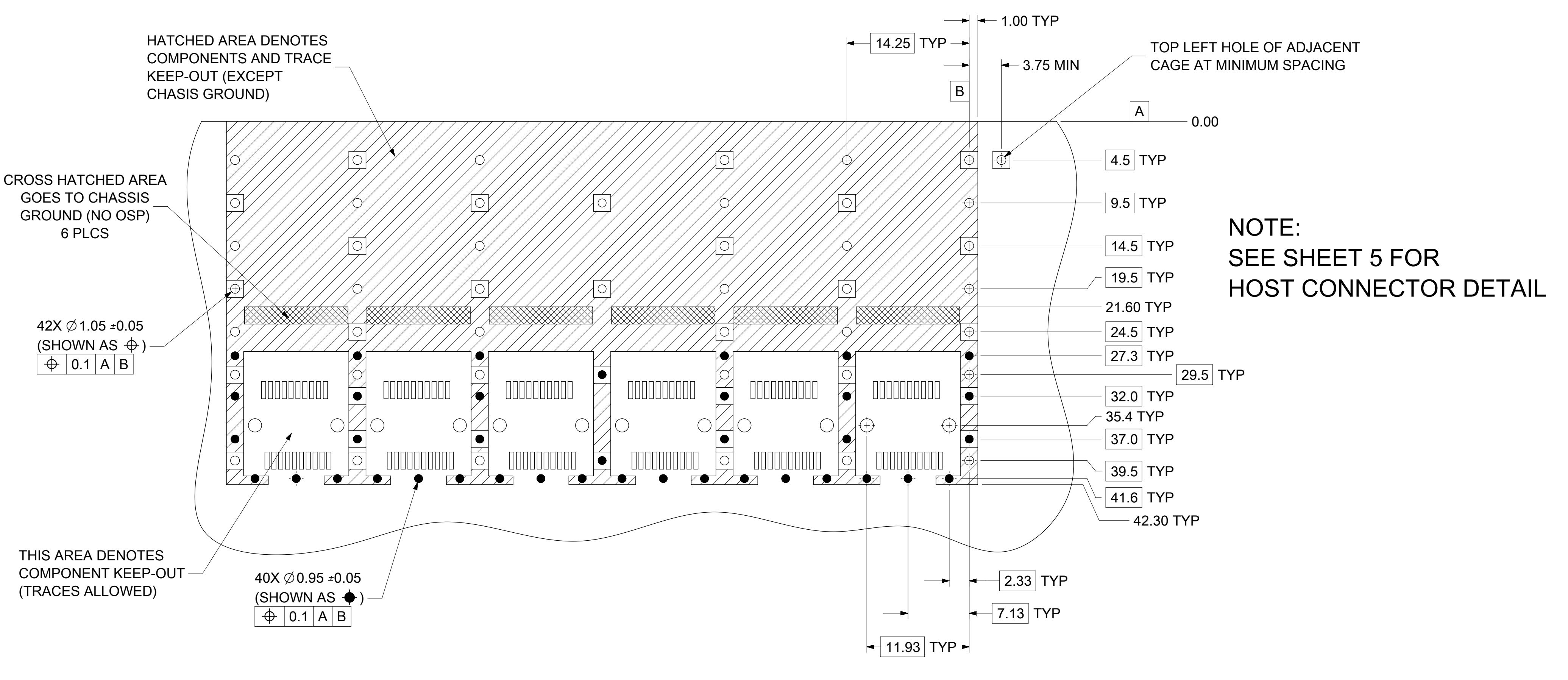


DETAIL 1
SCALE 5:1

- NOTES:
- PADS AND VIAS CONNECT TO CHASSIS GROUND (RECOMMEND PADS TO BE 2.00mm SQUARE)
 - RECOMMENDED THRU HOLE PLATING INCLUDES HASL, OSP, OR IMMERSION (GOLD, SILVER, OR TIN).
 - CONNECTOR PAD LAYOUT PER SFP+ MSA WILL ACCOMMODATE MOLEX CONNECTOR SERIES 74441 OR EQUIVALENT.
 - HOLE PATTERN REPEATS FOR EACH PORT. SPACING BETWEEN PORTS IS 14.25mm.
 - MIN PCB THICKNESS FOR SINGLE SIDED USE: 1.57mm.

THIS DRAWING CONTAINS INFORMATION THAT IS PROPRIETARY TO MOLEX ELECTRONIC TECHNOLOGIES, LLC AND SHOULD NOT BE USED WITHOUT WRITTEN PERMISSION											
SEE REVISION TABLE	EC NO:	116175	GENERAL TOLERANCES (UNLESS SPECIFIED)	DIMENSION UNITS	SCALE	molex					
	DRWN:	MHANUMAPPARE	ANGULAR TOL $\pm 1.0^\circ$	MM	2.5:1						
	CHKD:	DSUN15	4 PLACES \pm	DRWN BY	DATE	1X6 SFP+ CAGE.120 INCH PRESS FIT, HEAT SINK, ELASTOMERIC GASKET					
	REV:	APPR: RCHEN08	3 PLACES \pm	MHANUMAPPARE	2017/02/27						
	DRAFT WHERE APPLICABLE MUST REMAIN WITHIN DIMENSIONS			2 PLACES ± 0.13	CHKD BY	DATE	PRODUCT CUSTOMER DRAWING				
			1 PLACE ± 0.25	DSUN15	2017/04/27						
			0 PLACES \pm	APPR BY	DATE	SERIES MATERIAL NUMBER CUSTOMER					
				RCHEN08	2017/05/03						
				DRAWING SIZE	THIRD ANGLE PROJECTION	DOCUMENT NUMBER		DOC TYPE		DOC PART SHEET NUMBER	
				C		1111222610		PSD		ASY 5 OF 9	

PCB LAYOUT FOR BELLY TO BELLY MOUNTING



NOTE:
SEE SHEET 5 FOR
HOST CONNECTOR DETAIL

HATCHED AREA DENOTES
COMPONENTS AND TRACE
KEEP-OUT (EXCEPT
CHASSIS GROUND)

CROSS HATCHED AREA
GOES TO CHASSIS
GROUND (NO OSP)
6 PLCS

42X $\varnothing 1.05 \pm 0.05$
(SHOWN AS \oplus)
 \oplus 0.1 A B

THIS AREA DENOTES
COMPONENT KEEP-OUT
(TRACES ALLOWED)

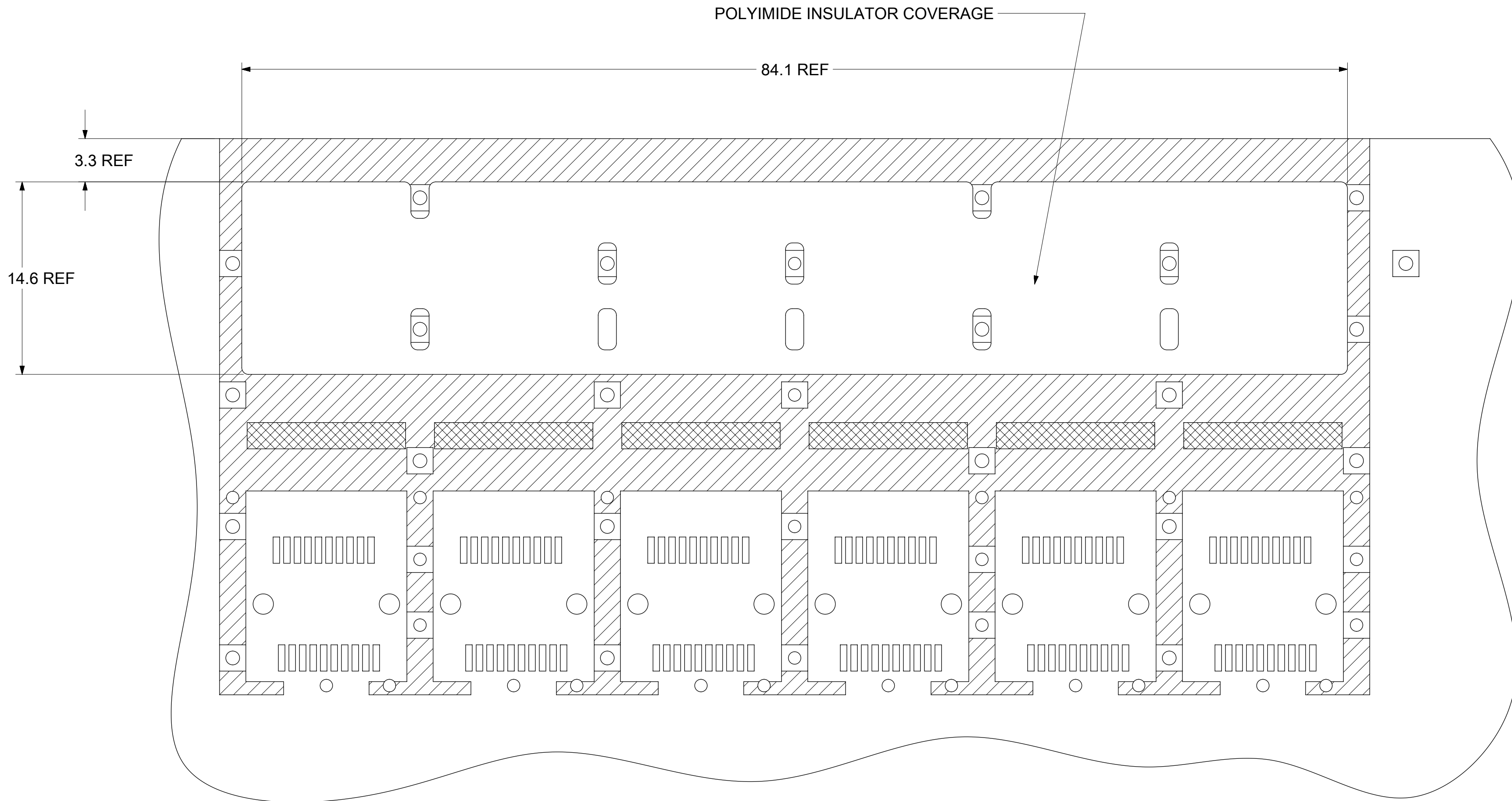
40X $\varnothing 0.95 \pm 0.05$
(SHOWN AS \bullet)
 \bullet 0.1 A B

- NOTES:**
1. PADS AND VIAS CONNECT TO CHASSIS GROUND (RECOMMEND PADS TO BE 2.00mm SQUARE)
 2. RECOMMENDED THRU HOLE PLATING INCLUDES HASL, OSP, OR IMMERSION (GOLD, SILVER, OR TIN).
 3. CONNECTOR PAD LAYOUT PER SFP+ MSA WILL ACCOMMODATE MOLEX CONNECTOR SERIES 74441 OR EQUIVALENT.
 4. HOLE PATTERN REPEATS FOR EACH PORT. SPACING BETWEEN PORTS IS 14.25mm.
 5. MIN PCB THICKNESS FOR BELLY TO BELLY USE: 3.00mm.

THIS DRAWING CONTAINS INFORMATION THAT IS PROPRIETARY TO MOLEX ELECTRONIC TECHNOLOGIES, LLC AND SHOULD NOT BE USED WITHOUT WRITTEN PERMISSION											
SEE REVISION TABLE	EC NO:	116175	GENERAL TOLERANCES (UNLESS SPECIFIED)	DIMENSION UNITS	SCALE	molex					
	DRWN:	MHANUMAPPARE	ANGULAR TOL $\pm 1.0^\circ$	MM	3:1						
	CHKD:	DSUN15	4 PLACES \pm	DRWN BY	DATE	1X6 SFP+ CAGE. 120 INCH PRESS FIT, HEAT SINK, ELASTOMERIC GASKET					
	REV:	APPR: RCHEN08	3 PLACES \pm	MHANUMAPPARE	2017/02/27						
	DRAFT WHERE APPLICABLE MUST REMAIN WITHIN DIMENSIONS			2 PLACES ± 0.13	CHKD BY	DATE	PRODUCT CUSTOMER DRAWING				
			1 PLACE ± 0.25	DSUN15	2017/04/27						
			0 PLACES \pm	APPR BY	DATE	SERIES MATERIAL NUMBER CUSTOMER					
				RCHEN08	2017/05/03						
				DRAWING SIZE	THIRD ANGLE PROJECTION	111112		SEE SHEET 4		GENERAL MARKET	
				C		DOCUMENT NUMBER		111122610		DOC TYPE DOC PART SHEET NUMBER	
						PSD		ASY		6 OF 9	

POLYIMIDE INSULATOR COVERAGE AREA

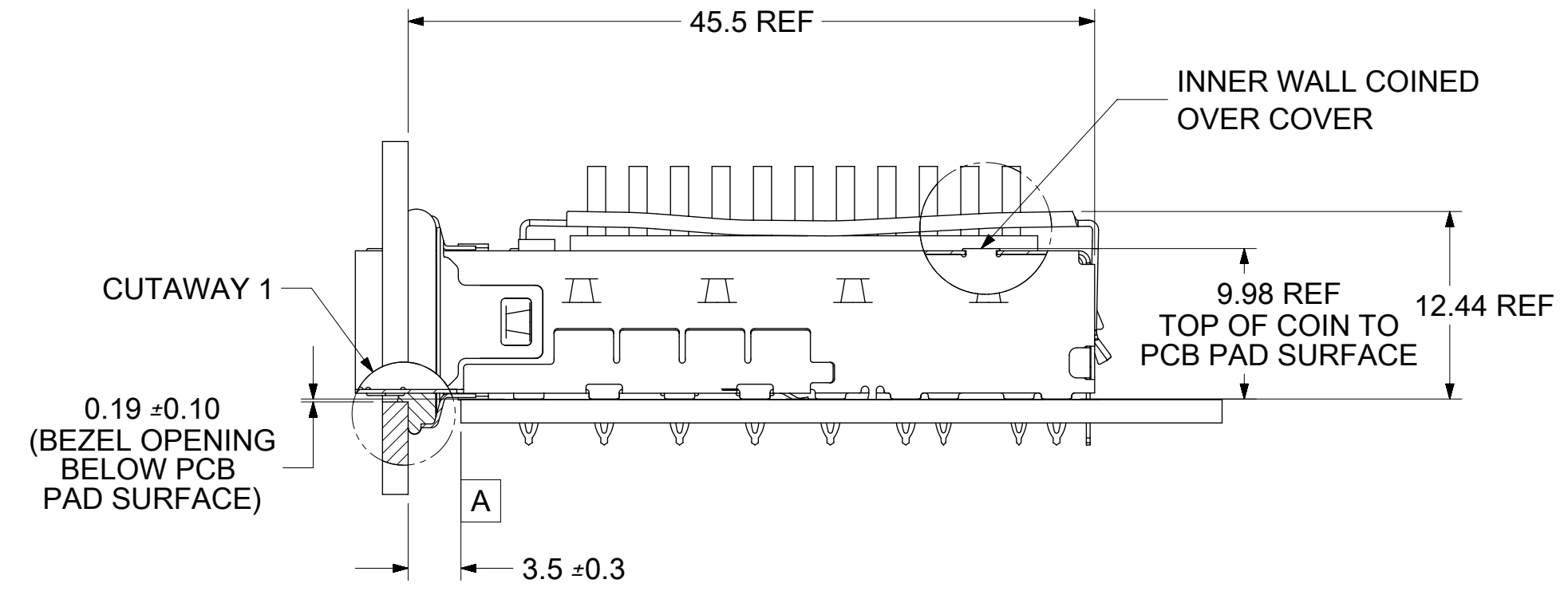
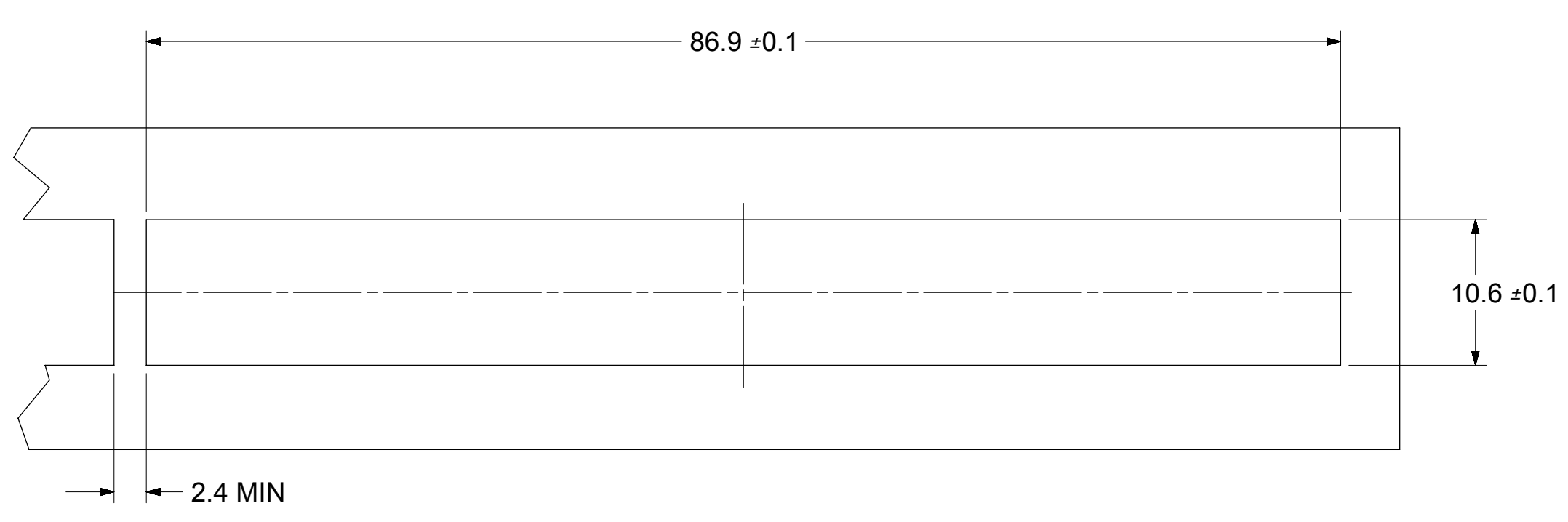
(APPLIES TO SINGLE SIDED AND BELLY TO BELLY)



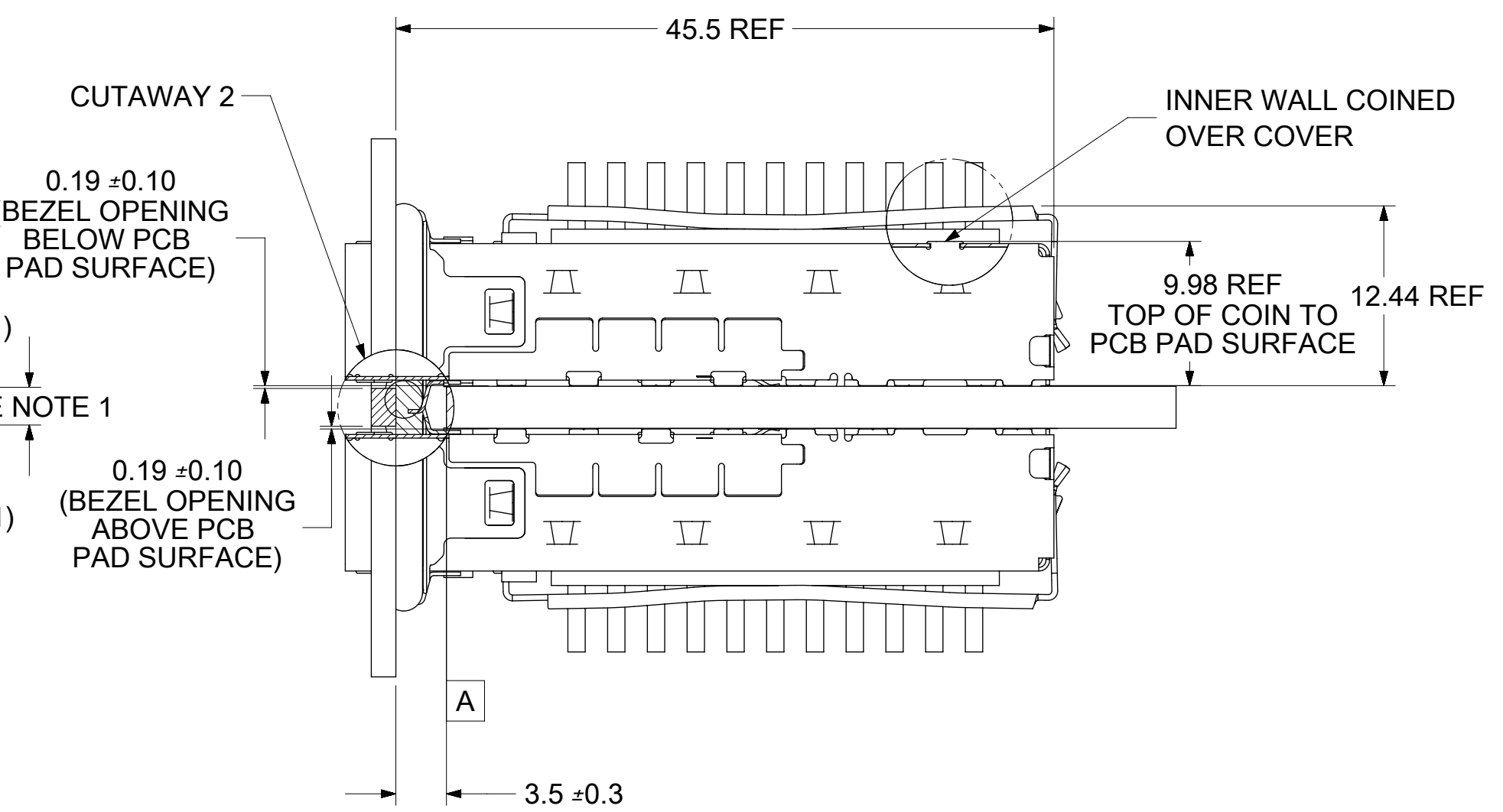
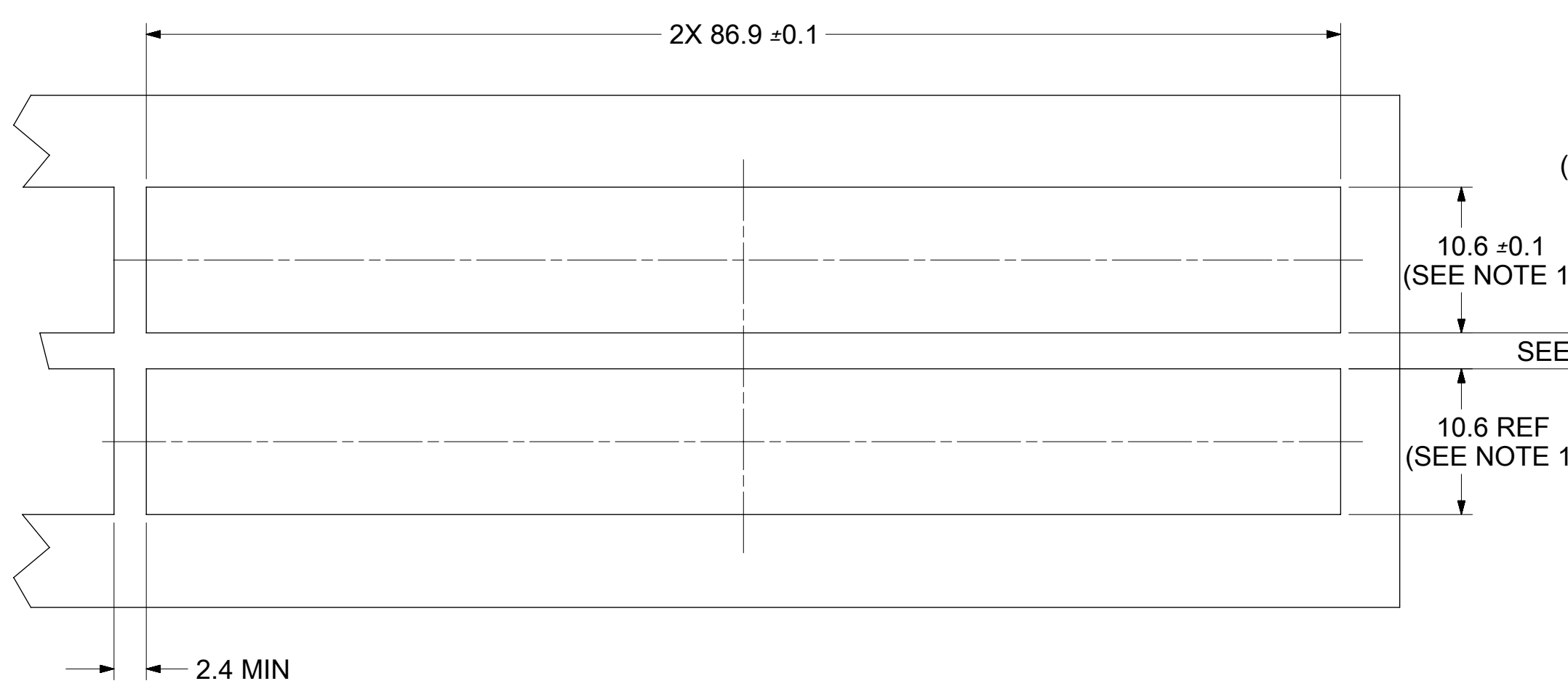
THIS DRAWING CONTAINS INFORMATION THAT IS PROPRIETARY TO MOLEX ELECTRONIC TECHNOLOGIES, LLC AND SHOULD NOT BE USED WITHOUT WRITTEN PERMISSION

SEE REVISION TABLE EC NO: 116175 DRWN: MHANUMAPPARE CHKD: DSUN15 REV / APPR: RCHEN08	GENERAL TOLERANCES (UNLESS SPECIFIED)		DIMENSION UNITS	SCALE	
	ANGULAR TOL ± 1.0 °		MM	4:1	
	4 PLACES ±	DRWN BY	DATE		
	3 PLACES ±	MHANUMAPPARE	2017/02/27		
	2 PLACES ± 0.13	CHKD BY	DATE		
1 PLACE ± 0.25	DSUN15	2017/04/27			
0 PLACES ±	APPR BY	DATE			
	RCHEN08	2017/05/03			
DRAFT WHERE APPLICABLE MUST REMAIN WITHIN DIMENSIONS		DRAWING SIZE	THIRD ANGLE PROJECTION		
		C			
		SERIES	MATERIAL NUMBER	CUSTOMER	
		111112	SEE SHEET 4	GENERAL MARKET	
		DOCUMENT NUMBER		DOC TYPE	DOC PART SHEET NUMBER
		1111122610		PSD	ASY 7 OF 9

BEZEL AND BOARD POSITION DIMENSIONS FOR SINGLE SIDE MOUNTING (ELASTOMERIC GASKET)



BEZEL AND BOARD POSITION DIMENSIONS FOR BELLY TO BELLY MOUNTING (ELASTOMERIC GASKET)


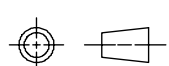


NOTE:
1. PCB THICKNESS VARIATION MUST BE CONSIDERED WHEN DETERMINING BEZEL OPENING LOCATION.

THIS DRAWING CONTAINS INFORMATION THAT IS PROPRIETARY TO MOLEX ELECTRONIC TECHNOLOGIES, LLC AND SHOULD NOT BE USED WITHOUT WRITTEN PERMISSION											
SEE REVISION TABLE	EC NO:	116175	GENERAL TOLERANCES (UNLESS SPECIFIED)	DIMENSION UNITS	SCALE	molex					
	DRWN BY	MHANUMAPPARE	ANGULAR TOL ± 1.0 °	MM	2.5:1						
	CHKD BY	DSUN15	4 PLACES ±	DRWN BY	DATE	1X6 SFP+ CAGE.120 INCH PRESS FIT, HEAT SINK, ELASTOMERIC GASKET					
	APPR BY	RCHEN08	3 PLACES ±	MHANUMAPPARE	2017/02/27						
	REV	1	0 PLACES ±	DSUN15	2017/04/27	PRODUCT CUSTOMER DRAWING					
		1 PLACE ± 0.25	RCHEN08	2017/05/03	SERIES	MATERIAL NUMBER	CUSTOMER				
		2 PLACES ± 0.13	DRAFT WHERE APPLICABLE MUST REMAIN WITHIN DIMENSIONS		111112	SEE SHEET 4	GENERAL MARKET				
		0 PLACES ±	DRAWING SIZE	THIRD ANGLE PROJECTION	DOCUMENT NUMBER	DOCTYP	DOC PART	SHEET NUMBER			
			C		1111122610	PSD	ASY	8 OF 9			

REV	DATE	DESCRIPTION
A	2012/12/03	1. INITIAL RELEASE
B	2013/02/01	1. REMOVED EMI GASKET FROM TOP, @J16, AND RIGHT SIDE, @E8, VIEWS FOR CLARITY. ADDED EMI GASKET UNCOMPRESSED OVERALL DIMENSIONS TO FRONT VIEW, @E16. ADDED FINISHED ASSEMBLY PRINTED PN/DATE CODE, 9.83 REF DIMENSION TO SIDE VIEW, REMOVED EMI GASKET FOR CLARITY, @E8. ADDED BACK VIEW, @E2, ADDED INNER WALL WELD NOTE. REMOVED BELLY ISO VIEW. CAHNGED DIMENSION "9.83 REF" TOP OF CAGE TO "9.98 REF" TOP OF COIN. MOVED MIN PCB THICKNESS NOTE TO RESPECTIVE PCB LAYOUT SHEETS, REMOVED INSERTION FORCE FROM NOTE 2. MOVED OPEN TOP VIEW & CUTOUT DIMENSIONS TO SHEET 2. (SHEET 1) 2. ADDED "REAR LEG OPTIONS" SECTION, @B16. REMOVED CAGES FROM HEATSINK OPTIONS VIEWS & UPDATED TABLES, @J2, J6 & J11. MOVED VIEW FROM I16 TO F10. ADDED ISO VIEW TO IDENTIFY UNDER BELLY GASKET @F4, TOP VIEW OF OPEN TOP & DIMENSIONS @J16. (SHEET 2) 3. ADDED PN'S 747540610, 747540611, 747540613 & 1111110610 ADDING VIEWS AND PN TABLES. ADDED "SFP+" TO TABLES (SHEET 3) 4. REMOVED BASIC TOLERANCE FROM DIMENSION 35.4 TYP, @F8. ADDED MIN PCB THICKNESS NOTE. (SHEET 4) 5. REMOVED BASIC TOLERANCE FROM DIMENSION 35.4 TYP, @F5. ADDED MIN PCB THICKNESS NOTE. (SHEET 5) 6. CHANGED TOLERANCE ON DIMENSIONS 0.19 TO 0.19 ±0.10, @D9 & F9. ADDED CENTER LINES TO BEZELS. REMOVED CUTAWAY 2 & 4 SIDE VIEWS, RENAMED CUTAWAY 3 TO CUTAWAY 2. REMOVED "10.03 TYP" DIMENSIONS FROM SIDE VIEWS. REMOVED "SEE NOTE 1" FROM 10.6 ±0.1 BEZEL OPENING SIZE DIMENSIONS @D10, F10 & K10. REMOVED "SIZE AND" FROM NOTE 1. (SHEET 7) 7. MOVED NOTES TO BOTTOM LEFT CORNER AND INCREASED TEXT HEIGHT. (SHEETS 1, 4, 5 & 7)
C	2013/02/14	1. ADDED BASIC DIMENSIONS 19.5 @H8, 29.5 @G8 & 39.5 @F8 BACK TO SINGLE SIDED PCB LAYOUT. (SHEET 4) 2. CORRECTED 3D MODEL CHANGING DIMENSION 12.53 TO 12.44 @K1 & F1. (SHEET 7) 3. CHANGED DIMENSION IN TITLE BLOCK TO MM ONLY. (ALL SHEETS)
D	2014/03/10	1. REMOVED PN/DATE CODE FROM RIGHT VIEW @E9 AND ADDED TO BACK VIEW @E6. (SHEET 1) 2. REPLACED ISO VIEW @E4 WITH RIGHT VIEW WITH PN/DATE CODE. (SHEET 2) 3. ADDED NEW SHEET 3 WITH OPTIONAL GEN 2 UNDER BELLY GASKET VIEWS. (SHEET 3) 4. RENUMBERED 3-8 TO MAKE THE SHEETS TOTAL 9 5. REMOVED ISO VIEW 1111110610 AND REPLACED WITH ISO VIEW 1001150610 @F13 (SHEET 4)
E	2017/02/27	1. REMASTERED FROM SD-111112-2610 REV_D TO 1111122610 PSD ASY REV_E IN NX

THIS DRAWING CONTAINS INFORMATION THAT IS PROPRIETARY TO MOLEX ELECTRONIC TECHNOLOGIES, LLC AND SHOULD NOT BE USED WITHOUT WRITTEN PERMISSION

SEE REVISION TABLE EC NO: 116175 DRWN: MHANUMAPPARE CHKD: DSUN15 REV: APPR: RCHEN08	2017/02/27	2017/04/27	2017/05/03	GENERAL TOLERANCES (UNLESS SPECIFIED)	DIMENSION UNITS MM	SCALE 1:1	 <p>1X6 SFP+ CAGE. 120 INCH PRESS FIT, HEAT SINK, ELASTOMERIC GASKET</p> <p>PRODUCT CUSTOMER DRAWING</p> <p>SERIES: 111112 MATERIAL NUMBER: SEE SHEET 4 CUSTOMER: GENERAL MARKET</p> <p>DOCUMENT NUMBER: 1111122610 DOC TYPE: PSD DOC PART: ASY SHEET NUMBER: 9 OF 9</p>		
	ANGULAR TOL ± 1.0 °			DRWN BY MHANUMAPPARE	DATE 2017/02/27				
	4 PLACES ±	CHKD BY DSUN15		DATE 2017/04/27					
	3 PLACES ±	APPR BY RCHEN08		DATE 2017/05/03					
	2 PLACES ± 0.13	DRAFT WHERE APPLICABLE MUST REMAIN WITHIN DIMENSIONS			DRAWING SIZE C	THIRD ANGLE PROJECTION 			
	1 PLACE ± 0.25								
	0 PLACES ±								