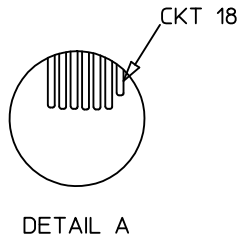
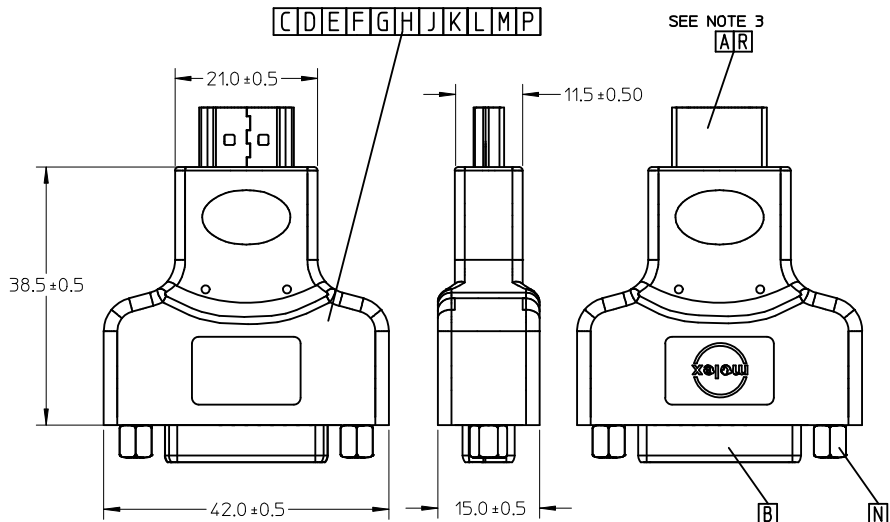


SEE DETAIL A

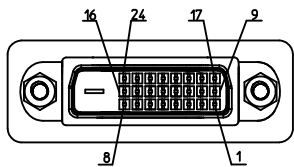
- NOTE:
1. OVERMOLD OUTER MOLD WITH WHITE PVC
  2. OVERMOLD INNER MOLD WITH PVC
  3. HDMI DUST COVER WITH PE
  4. THIS PRODUCT MUST MEET EU CHEMICAL SUBSTANCE SPECIFICATION FOR PRODUCTS.(EU 2002/95/EC)
  5. ELECTRICAL PERFORMANCE REFER TO HDMI SPECIFICATION.

HDMI(M) TO DVI-D(F) DIAGRAM:

| SHIELD | SHIELD | SHIELD     | GROUND             |
|--------|--------|------------|--------------------|
| PIN 19 | PIN 16 | WHITE      | HOT PLUG DETECT    |
| PIN 18 | PIN 14 | YELLOW     | POWER +5V          |
| PIN 17 | PIN 15 | ORANGE     | GROUND (+5V&DDC)   |
| PIN 16 | PIN 7  | RED        | DDC DATA (SDA)     |
| PIN 15 | PIN 6  | VIOLET     | DDC CLOCK (SCL)    |
| PIN 12 | PIN 24 | WHITE      | TMDS CLOCK -       |
| PIN 10 | PIN 23 | BROWN      | TMDS CLOCK +       |
| PIN 11 | PIN 22 | BRAID      | TMDS CLOCK SHIELD  |
| PIN 9  | PIN 17 | WHITE      | TMDS DATA 0-       |
| PIN 7  | PIN 18 | BLUE       | TMDS DATA 0+       |
| PIN 8  | PIN 19 | BRAID      | TMDS DATA 0 SHIELD |
| PIN 6  | PIN 9  | WHITE      | TMDS DATA 1-       |
| PIN 4  | PIN 10 | BLACK      | TMDS DATA 1+       |
| PIN 5  | PIN 11 | BRAID      | TMDS DATA 1 SHIELD |
| PIN 3  | PIN 1  | WHITE      | TMDS DATA 2+       |
| PIN 1  | PIN 2  | RED        | TMDS DATA 2+       |
| PIN 2  | PIN 3  | BRAID      | TMDS DATA 2 SHIELD |
| HDMI   | DVI-D  | WIRE COLOR | FUNCTION           |

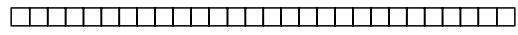


| ITEM | DESCRIPTION                  | USAGE |
|------|------------------------------|-------|
| R    | SMALL METAL PLATE            | 1     |
| P    | HDMI METAL CAN GOLD FLASH    | 1     |
| N    | 4-40 UNC NUT                 | 2     |
| M    | UL&CSA 1061#28 VIOLET        | 1     |
| L    | UL&CSA 1061#28 RED           | 1     |
| K    | UL&CSA 1061#28 YELLOW        | 1     |
| J    | UL&CSA 1061#28 ORANGE        | 1     |
| H    | UL&CSA 1061#28 WHITE         | 1     |
| G    | TMDS #28 RED                 | 1     |
| F    | TMDS #28 BLACK               | 1     |
| E    | TMDS #28 BLUE                | 1     |
| D    | 1PX28AWG.SHLDPVC.BROW.2.95MM | 1     |
| C    | TOP & BOTTOM METAL CAN       | 1     |
| B    | DVI-D FEMALE                 | 1     |
| A    | HDMI BLACK HOUSING ASSY'     | 1     |

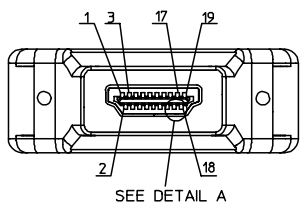


|   |  |                  |                               |                                       |       |                               |                       |  |                           |                        |  |
|---|--|------------------|-------------------------------|---------------------------------------|-------|-------------------------------|-----------------------|--|---------------------------|------------------------|--|
| ENTER DESCRIPTION<br>EC NO: DG2011-0444<br>DRWN:FZHANG01<br>CHYD:JFZHENG<br>APPR:ZXDENG                                       | 2011/05/06<br>2011/05/06<br>2011/05/11 | DESCRIPTION<br>A | QUALITY SYMBOLS<br>▽=0<br>▽=0 | GENERAL TOLERANCES (UNLESS SPECIFIED) |       | DIMENSION STYLE<br>MM ONLY    |                       | SCALE<br>---                                       | DESIGN UNITS<br>METRIC    | THIRD ANGLE PROJECTION |  |
|   |  |                  |                               | mm                                    | INCH  | DRAWN BY<br>FZHANG01          | DATE<br>2011/05/06    | TITLE<br>HDMI(M) TO DVI-D(F)<br>ADAPTOR GOLD FLASH |                           |                        |  |
|   |  |                  |                               | 4 PLACES                              | ± --- | ± ---                         | CHECKED BY<br>JFZHENG | DATE<br>2011/05/06                                 | MOLEX INCORPORATED        |                        |  |
|   |  |                  |                               | 3 PLACES                              | ± --- | ± ---                         | APPROVED BY<br>ZXDENG | DATE<br>2011/05/11                                 | MATERIAL NO.<br>687670027 |                        |  |
| DRAFT WHERE APPLICABLE<br>MUST REMAIN<br>WITHIN DIMENSIONS  |  |                  |                               | MATERIAL NO.<br>687670027             |       | DOCUMENT NO.<br>SD-68767-0027 |                       | SHEET NO.<br>1 OF 1                                |                           |                        |  |
| THIS DRAWING CONTAINS INFORMATION THAT IS PROPRIETARY TO MOLEX INCORPORATED AND SHOULD NOT BE USED WITHOUT WRITTEN PERMISSION |  |                  |                               |                                       |       |                               |                       |  |                           |                        |  |

7 6 5 4 3 2 1



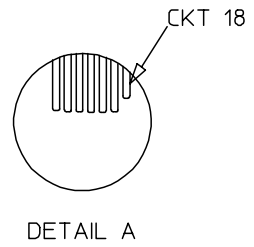
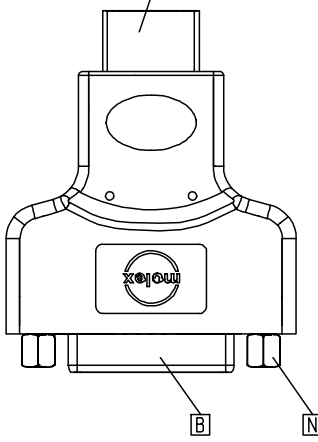
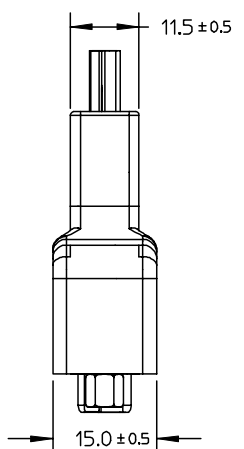
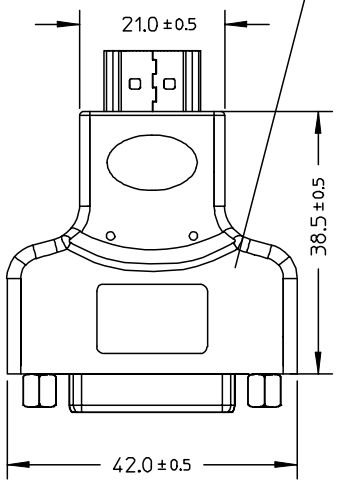
- NOTE:
1. OVERMOLD OUTER MOLD WITH WHITE PVC 887800076.
  2. OVERMOLD INNER MOLD WITH PVC 887800019.
  3. HDMI DUST COVER WITH PE 887800008.
  4. THIS PRODUCT MUST MEET ROHS COMPLIANCE.



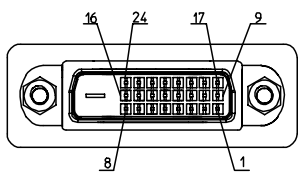
| SHIELD | SHIELD | SHIELD     | GROUND             |
|--------|--------|------------|--------------------|
| PIN 19 | PIN 16 | WHITE      | HOT PLUG DETECT    |
| PIN 18 | PIN 14 | YELLOW     | POWER +5V          |
| PIN 17 | PIN 15 | ORANGE     | GROUND (+5V&DDC)   |
| PIN 16 | PIN 7  | RED        | DDC DATA (SDA)     |
| PIN 15 | PIN 6  | VIOLET     | DDC CLOCK (SCL)    |
| PIN 12 | PIN 24 | WHITE      | TMDS CLOCK -       |
| PIN 10 | PIN 23 | BROWN      | TMDS CLOCK +       |
| PIN 11 | PIN 22 | BRAID      | TMDS CLOCK SHIELD  |
| PIN 9  | PIN 17 | WHITE      | TMDS DATA 0-       |
| PIN 7  | PIN 18 | BLUE       | TMDS DATA 0+       |
| PIN 8  | PIN 19 | BRAID      | TMDS DATA 0 SHIELD |
| PIN 6  | PIN 9  | WHITE      | TMDS DATA 1-       |
| PIN 4  | PIN 10 | BLACK      | TMDS DATA 1+       |
| PIN 5  | PIN 11 | BRAID      | TMDS DATA 1 SHIELD |
| PIN 3  | PIN 1  | WHITE      | TMDS DATA 2+       |
| PIN 1  | PIN 2  | RED        | TMDS DATA 2+       |
| PIN 2  | PIN 3  | BRAID      | TMDS DATA 2 SHIELD |
| HDMI   | DVI-D  | WIRE COLOR | FUNCTION           |

C D E F G H J K L M P

SEE NOTE 3



|      |           |                           |       |
|------|-----------|---------------------------|-------|
| R    | 471526009 | SMALL METAL PLATE         | 1     |
| P    | 471524002 | HDMI METAL CAN GOLD FLASH | 1     |
| N    | 172000539 | 4-40 UNC NUT              | 2     |
| M    | 887719807 | UL&CSA 1061/#28 VIOLET    | 1     |
| L    | 887719801 | UL&CSA 1061/#28 RED       | 1     |
| K    | 887719803 | UL&CSA 1061/#28 YELLOW    | 1     |
| J    | 887719802 | UL&CSA 1061/#28 ORANGE    | 1     |
| H    | 887719809 | UL&CSA 1061/#28 WHITE     | 1     |
| G    | 887808260 | TMDS #28 RED              | 1     |
| F    | 887808256 | TMDS #28 BLACK            | 1     |
| E    | 887808259 | TMDS #28 BLUE             | 1     |
| D    | 887808258 | TMDS #28 BROWN            | 1     |
| C    | 172000560 | TOP & BOTTOM METAL CAN    | 1     |
| B    | 172000446 | DVI-D FEMALE              | 1     |
| A    | 471521000 | HDMI BLACK HOUSING ASSY   | 1     |
| ITEM | MX P/N    | DESCRIPTION               | USAGE |



|   |                  |                               |   |         |                              |                    |                    |                        |                        |
|---|------------------|-------------------------------|---|---------|------------------------------|--------------------|--------------------|------------------------|------------------------|
| Released<br>EC NO: DG2007-0027<br>DRWN: JFZHENG 2006/09/02<br>CHKD: JFZHENG 2006/09/04<br>APPR: DQ LUO 2006/09/04             | DESCRIPTION<br>1 | QUALITY SYMBOLS<br>▽=0<br>▽=0 | GENERAL TOLERANCES (UNLESS SPECIFIED)   |         | DIMENSION STYLE<br>MM ONLY   |                    | SCALE<br>---       | DESIGN UNITS<br>METRIC | THIRD ANGLE PROJECTION |
|   |                  |                               | 4 PLACES ± --- ± ---<br>3 PLACES ± --- ± ---<br>2 PLACES ± --- ± ---<br>1 PLACE ± --- ± ---<br>ANGULAR ± ---° | mm INCH | DRAWN BY<br>JFZHENG          | DATE<br>2006/08/26 |                    |                        |                        |
| DRAFT WHERE APPLICABLE<br>MUST REMAIN<br>WITHIN DIMENSIONS  |                  |                               | MATERIAL NO.<br>687670027   |         | DOCUMENT NO.<br>SD-68767-027 |                    | MOLEX INCORPORATED |                        | SHEET NO.<br>1 OF 1    |
| THIS DRAWING CONTAINS INFORMATION THAT IS PROPRIETARY TO MOLEX INCORPORATED AND SHOULD NOT BE USED WITHOUT WRITTEN PERMISSION |                  |                               |   |         |                              |                    |                    |                        |                        |