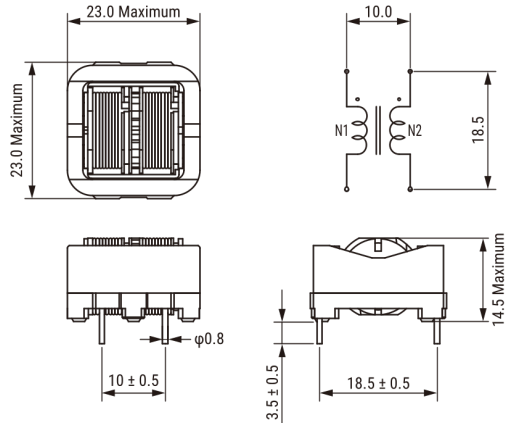


SSR21NH-M041500

Aliases (UALM21H0415000)

KEMET, SSR21NV-M/NH-M, AC Line Filters, Common Mode, 150 mH



Click [here](#) for the 3D model.

Dimensions

L	23mm MAX
T	23mm MAX
H	14.5mm MAX
LL	3.5mm +/-0.5mm
S	10mm +/-0.5mm
S1	18.5mm +/-0.5mm
Wire Size	0.23mm

Packaging Specifications

Packaging	Tray
Packaging Quantity	420
Component Weight	13 g

General Information

Series	SSR21NV-M/NH-M
Style	Through-Hole
Features	High Performance, High Impedance, Strong Inductance
RoHS	Yes
Miscellaneous	45 (K) Temperature Rise Max.
Core	Mn-Zn Ferrite

Specifications

Voltage AC	250 VAC
Inductance	150 mH (10 kHz)
Current	400 mA
Temperature Range	-25/+120°C
DC Resistance	2 Ohms