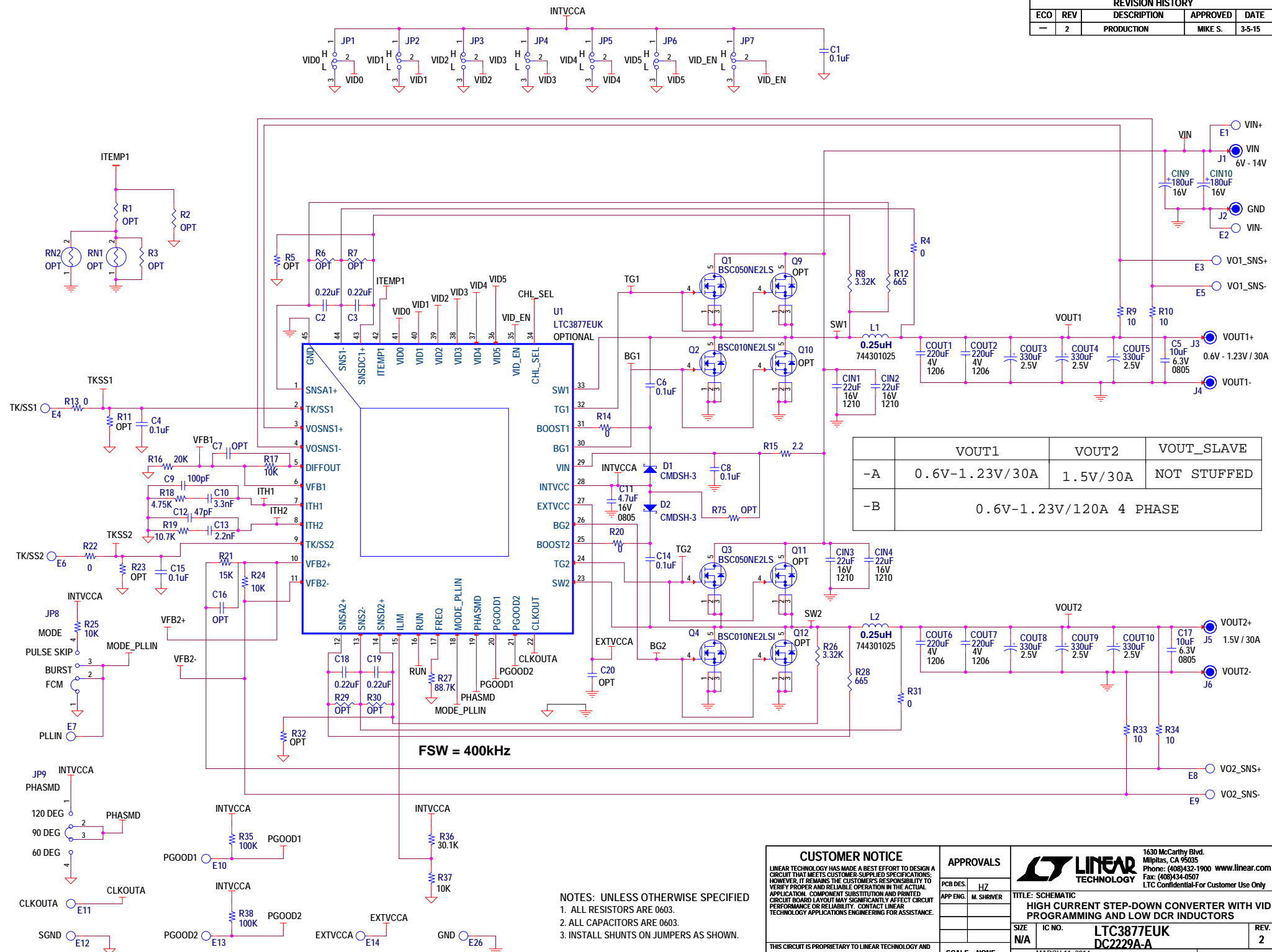


REVISION HISTORY				
ECO	REV	DESCRIPTION	APPROVED	DATE
-	2	PRODUCTION	MIKE S.	3-5-15



	VOUT1	VOUT2	VOUT_SLAVE
-A	0.6V-1.23V/30A	1.5V/30A	NOT STUFFED
-B	0.6V-1.23V/120A 4 PHASE		

FSW = 400kHz

- NOTES: UNLESS OTHERWISE SPECIFIED
1. ALL RESISTORS ARE 0603.
 2. ALL CAPACITORS ARE 0603.
 3. INSTALL SHUNTS ON JUMPERS AS SHOWN.

CUSTOMER NOTICE

LINEAR TECHNOLOGY HAS MADE A BEST EFFORT TO DESIGN A CIRCUIT THAT MEETS CUSTOMER-SUPPLIED SPECIFICATIONS; HOWEVER, IT REMAINS THE CUSTOMER'S RESPONSIBILITY TO VERIFY PROPER AND RELIABLE OPERATION IN THE ACTUAL APPLICATION. COMPONENT SUBSTITUTION AND PRINTED CIRCUIT BOARD LAYOUT MAY SIGNIFICANTLY AFFECT CIRCUIT PERFORMANCE OR RELIABILITY. CONTACT LINEAR TECHNOLOGY APPLICATIONS ENGINEERING FOR ASSISTANCE.

THIS CIRCUIT IS PROPRIETARY TO LINEAR TECHNOLOGY AND SUPPLIED FOR USE WITH LINEAR TECHNOLOGY PARTS.

APPROVALS

PCB DES.	HZ
APP ENG.	M. SHRIVER
SCALE	NONE

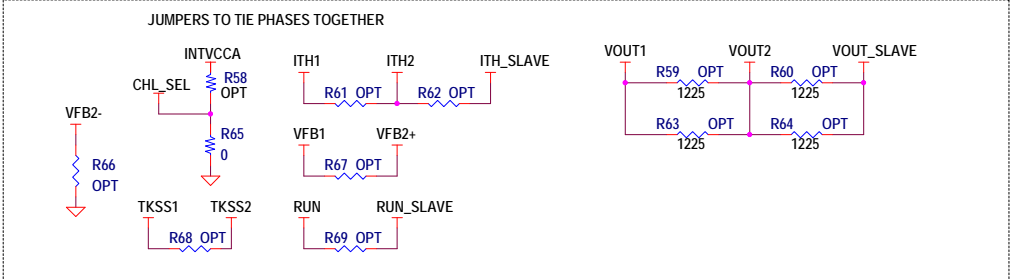
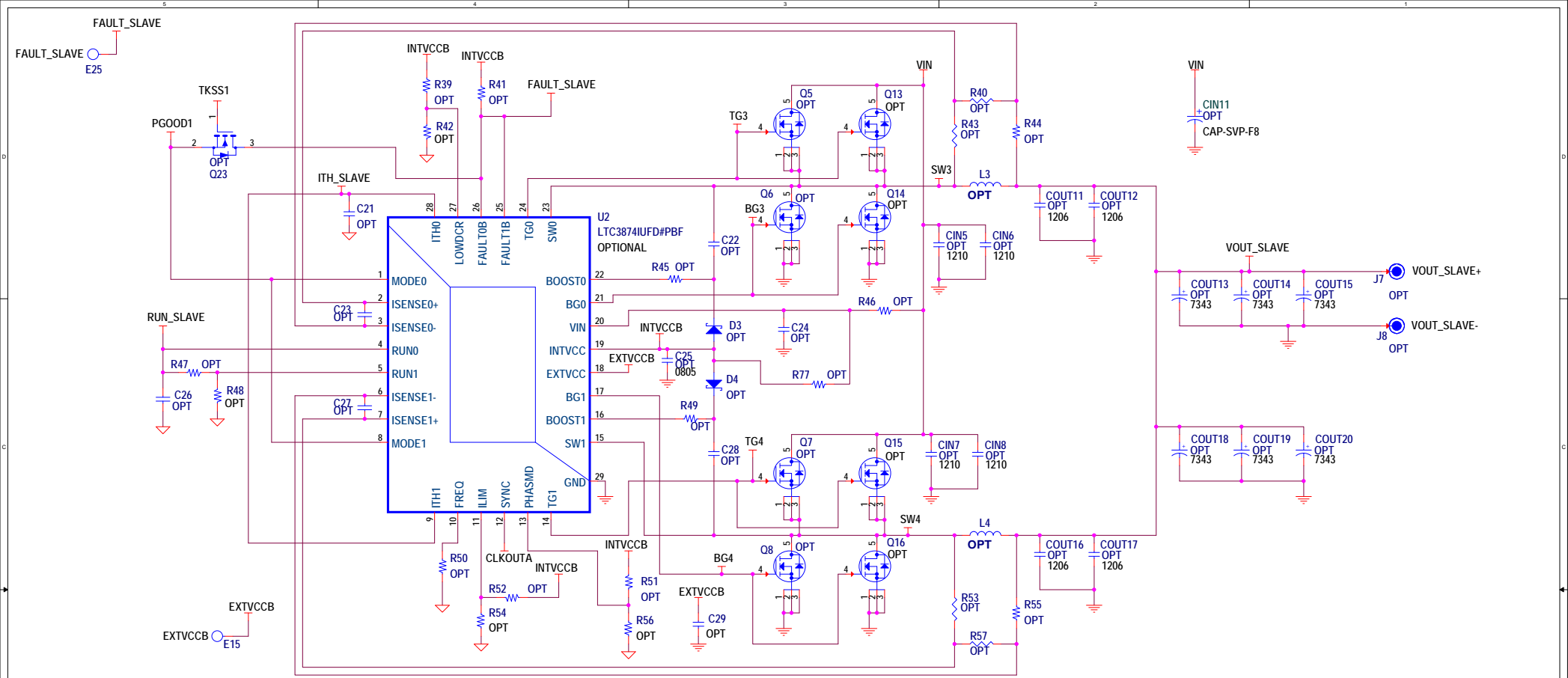
LINEAR TECHNOLOGY

1630 McCarthy Blvd.
Milpitas, CA 95035
Phone: (408)432-1900 www.linear.com
Fax: (408)434-0507
LTC Confidential-For Customer Use Only

TITLE: SCHEMATIC
HIGH CURRENT STEP-DOWN CONVERTER WITH VID PROGRAMMING AND LOW DCR INDUCTORS

SIZE: N/A IC NO.: **LTC3877EUK DC2229A-A** REV. 2

DATE: MARCH 11, 2014 SHEET 1 OF 3



CUSTOMER NOTICE LINEAR TECHNOLOGY HAS MADE A BEST EFFORT TO DESIGN A CIRCUIT THAT MEETS CUSTOMER-SUPPLIED SPECIFICATIONS; HOWEVER, IT REMAINS THE CUSTOMER'S RESPONSIBILITY TO VERIFY PROPER AND RELIABLE OPERATION IN THE ACTUAL APPLICATION. COMPONENT SUBSTITUTION AND PRINTED CIRCUIT BOARD LAYOUT MAY SIGNIFICANTLY AFFECT CIRCUIT PERFORMANCE OR RELIABILITY. CONTACT LINEAR TECHNOLOGY APPLICATIONS ENGINEERING FOR ASSISTANCE.		APPROVALS PCB DES. HZ APP ENG. M. SHRIVER				1630 McCarthy Blvd. Milpitas, CA 95035 Phone: (408)432-1900 www.linear.com Fax: (408)434-0507 LTC Confidential-For Customer Use Only	
THIS CIRCUIT IS PROPRIETARY TO LINEAR TECHNOLOGY AND SUPPLIED FOR USE WITH LINEAR TECHNOLOGY PARTS.		SCALE = NONE		TITLE: SCHEMATIC HIGH CURRENT STEP-DOWN CONVERTER WITH VID PROGRAMMING AND LOW DCR INDUCTORS		SIZE IC NO. N/A LTC3877EUK DC2229A-A	
				DATE: MARCH 11, 2014		REV. 2	
				SHEET 2 OF 3			

