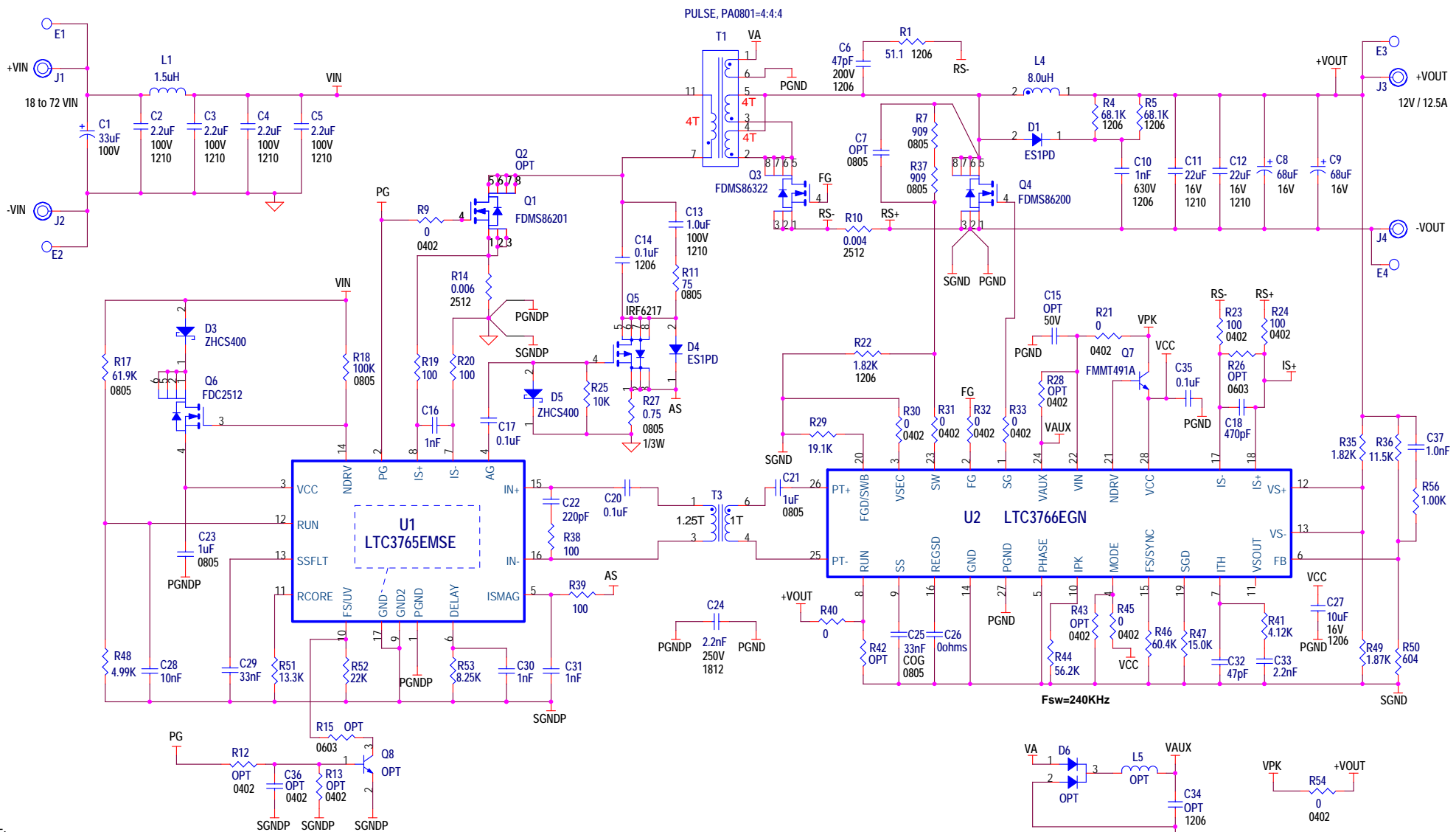


REVISION HISTORY				
ECO	REV	DESCRIPTION	APPROVED	DATE
-	1	PRODUCTION	DAVID B.	04-14-12



NOTE:  
 2.2uF 100V Murata GRM32ER72A225MA35 (X7R 1210)  
 22uF 16V Murata GRM32ER61C226ME20 (X7R 1210)  
 10uF 16V GRM31CR1C106K (1206 X5R)  
 2.2nF 250V Murata GA343QR7GD222KW01L (X7R 1812)  
 68uF 16V Sanyo 16TQC68M  
 33uF 100V Suncon 100ME33PX (10x12mm)  
 L1 Vishay IHLP2525EZER1R5M01  
 L4 Pulse PA2729.802NL  
 0.004 ohm Panasonic ERJM1WTF4M0U (2512)  
 0.006 ohm Panasonic ERJM1WSF6M0U (2512)  
 R27 SUSUMU, RL1220S-R75-F (0805)  
 T1 PA0801NL  
 T3 PA3493NL

Unless otherwise specified:  
 All resistors are in ohms 0603.  
 All capacitors are in microfarads 0603.  
 All capacitors are 25V.  
 1/16W = 0402, 1/10W = 0603, 1/8W = 0805, 1/4W = 1206, 1W = 2512.

CUSTOMER NOTICE		APPROVALS			1630 McCarthy Blvd. Milpitas, CA 95035 Phone: (408)432-1900 www.linear.com Fax: (408)434-0507 LTC Confidential-For Customer Use Only	
LINEAR TECHNOLOGY HAS MADE A BEST EFFORT TO DESIGN A CIRCUIT THAT MEETS CUSTOMER-SUPPLIED SPECIFICATIONS; HOWEVER, IT REMAINS THE CUSTOMER'S RESPONSIBILITY TO VERIFY PROPER AND RELIABLE OPERATION IN THE ACTUAL APPLICATION. COMPONENT SUBSTITUTION AND PRINTED CIRCUIT BOARD LAYOUT MAY SIGNIFICANTLY AFFECT CIRCUIT PERFORMANCE OR RELIABILITY. CONTACT LINEAR TECHNOLOGY APPLICATIONS ENGINEERING FOR ASSISTANCE.					PCB DES. AK	<b>TITLE: SCHEMATIC ACTIVE CLAMP FORWARD CONVERTER WITH DIRECT FLUX LIMIT</b>
THIS CIRCUIT IS PROPRIETARY TO LINEAR TECHNOLOGY AND SUPPLIED FOR USE WITH LINEAR TECHNOLOGY PARTS.				APP ENG. dkb		
SCALE = NONE	DATE: Friday, June 15, 2012	SIZE N/A IC NO. <b>LTC3765EMSE, LTC3766EGN DEMO BOARD 1739A-B</b>		REV. 1	SHEET 1 OF 1	