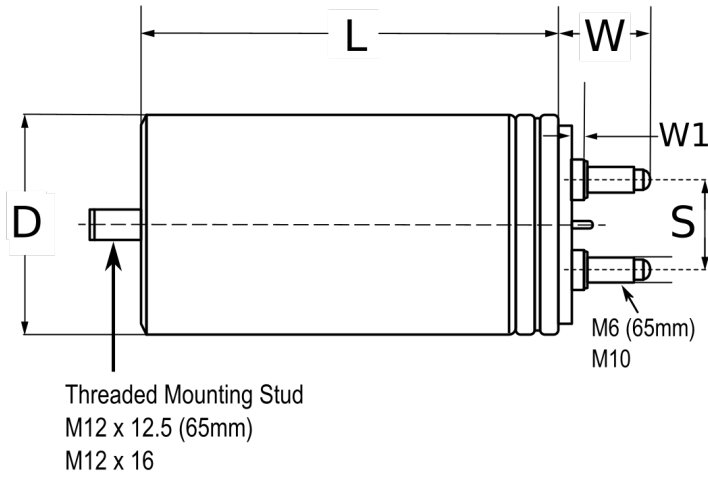


C44HLGR6200AASJ

C44H, Film, Metallized Polypropylene, AC Filter, 200 μ F, 5%, 330 VAC, 700 VDC



Click [here](#) for the 3D model.

Dimensions

D	75mm +/-0.5mm
L	117mm +/-2mm
W	25mm +/-1mm
S	35mm +/-1mm
W1	10mm +/-2mm

Packaging Specifications

Mounting	Bolt - M12x16
Packaging	Bulk, Bag
Packaging Quantity	9

General Information

Series	C44H
Dielectric	Metallized Polypropylene
Style	Can
Features	Single Phase PFC
RoHS	With Exemptions
REACH	SVHC (Pb - CAS 7439-92-1)
SCIP Number	cc1c1ec4-db9e-4815-b26b-e8a34ddfb776
Lead	Fast On (2+2)
AEC-Q200	No
Component Weight	542.7 g
Miscellaneous	Thermal Resistance = 6.1 C/W. Surge Voltage = 1050 VDC.

Specifications

Capacitance	200 μ F
Capacitance Tolerance	5%
Voltage AC	330 VAC
Voltage DC	700 VDC
Temperature Range	-25/+70°C
Rated Temperature	70°C
Max dV/dt	12.5 V/us
Resistance	1.7 mOhms
Ripple Current	40 Amps (RMS)
Inductance	120 nH

Statements of suitability for certain applications are based on our knowledge of typical operating conditions for such applications, but are not intended to constitute - and we specifically disclaim - any warranty concerning suitability for a specific customer application or use. This Information is intended for use only by customers who have the requisite experience and capability to determine the correct products for their application. Any technical advice inferred from this Information or otherwise provided by us with reference to the use of our products is given gratis, and we assume no obligation or liability for the advice given or results obtained.