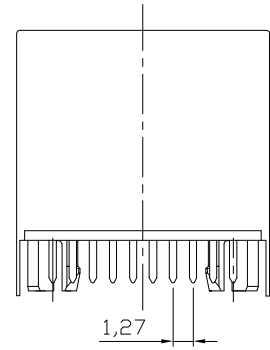
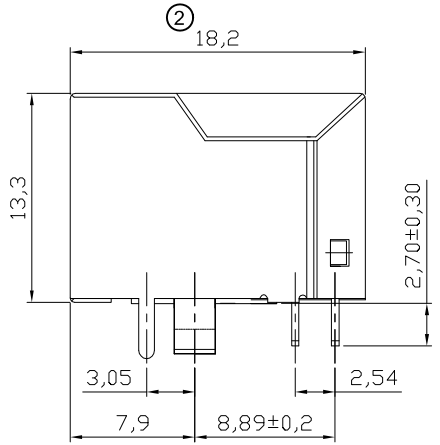
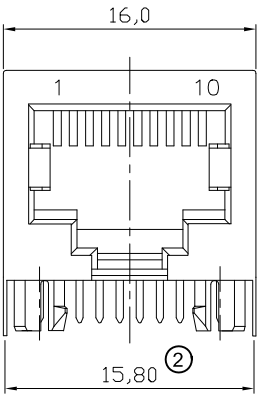


A



- NOTES:
 Mechanical:
 1. Housing material : Class Filled Polyester UL94V-0 , Color: Black
 2. Contact material: Phosphor Bronze t=0.35mm
 ① 3. Contact plating: Contact area---see order code
 Tails---100~200u" Tin plated over 30~80u" Nickel
 4. Shell material: Copper Alloy
 5. Shell plating: Nickel plated
 6. Operating Life: 750 Cycles min.
 7. PCB Retention Pre-solder: 1 LB min.
 8. PCB Retention Post-solder: 10 LBS min.
 Electrical:
 1. Voltage Rating: 125VAC.
 2. Current Rating: 1.5AMP.
 3. Contact Resistance: 30mΩ max.
 4. Insulation Resistance: 1000MΩ min. @ 500 VDC
 5. Dielectric Strength: 1000 VAC 60Hz, 1 min.
 Environmental:
 1. Storage: -40°C To +85°C
 2. Operation: -40°C~+85°C
 3. Wave Soldering Temp: 200~220°C(5~10S)
 Packing: 70pcs/Tray, 1960pcs/Carton

A

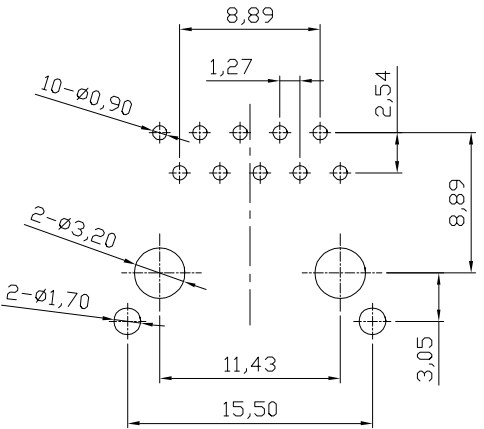
B

C

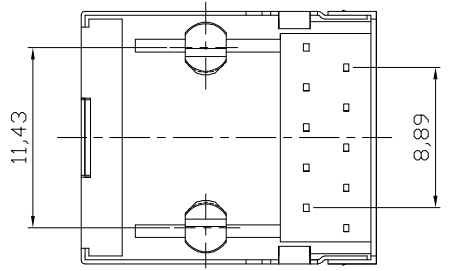
D

E

F



PC Board Layout
 Component Side Shown(10P8C)



Order code: A-2004-2-X-LPS-N

- Contact plating: ①
 1. 15u" gold over 30~80u" Nickel
 2. 30u" gold over 30~80u" Nickel
 3. 50u" gold over 50~80u" Nickel
 4. 6u" gold over 30~80u" Nickel

B

C

D

E

F

RoHS compliant
 Unit:mm

Scale	Free					Date	Name	Customer-No.
TOLERANCE						Drawn	27.05.2013	Amy
X.X	±0.20					Approved	22.03.2022	Luca
X.XX	±0.15							ASSMANN WSW-No. A-2004-2-X-LPS-N
X.XXX	±0.10	②	Update dimensions	22.03.2022	Luca			
DIM	TOL	①	Update the detail plating information	21.08.2015	Amy			Drawing-No. ASS 5694 CO
		①	Drawn	27.05.2013	Amy			rev02
Angle	±5°	Id.	Modification	Date	Name			SHEET
								Replace

G

H