

PART NAME: KNOB      SCALE: 1:1      DATE: 5/11/05      DR. BY JAM

THIS DRAWING IS THE PROPERTY OF DAVIES MOLDING COMPANY, IS SUBMITTED SOLELY AS A DESIGN OR ENGINEERING PROJECT.  
 WE ACCEPT NO RESPONSIBILITY WHATSOEVER FOR THE PRACTICAL APPLICATION OF THE PIECES MADE TO THIS DESIGN.



DESIGNERS & MANUFACTURERS  
 OF KNOBS, HANDLES, CASES &  
 CUSTOM PLASTIC COMPONENTS

P/N 3003TB

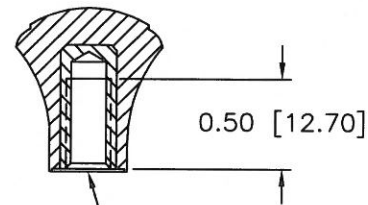
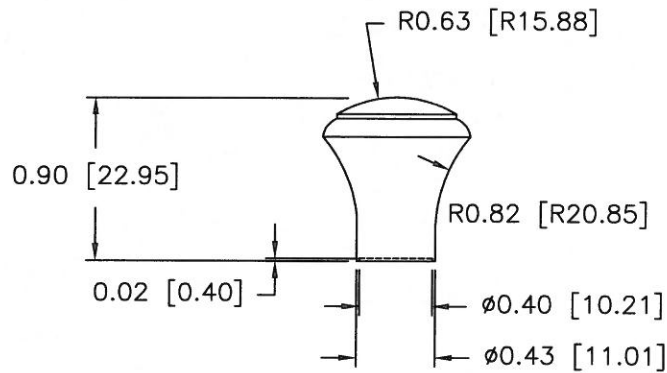
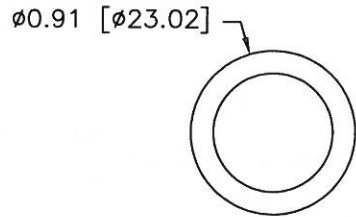
M NO. 3003

PIN NO. 3003-11

SHIM NO. # 1

PIN PLT 3003-11

INSERT 11043



M6 X 1-6H THREAD  
 11043, H.H. BRASS

MATERIAL: G.P. PHENOLIC (B11)  
 COLOR: BLACK

|   |                                  |         |               |             |
|---|----------------------------------|---------|---------------|-------------|
| TOLERANCES:<br>UNLESS OTHERWISE SPECIFIED | DO NOT SCALE<br>DRAWING          |         |               |             |
| DECIMALS: X.XXX ± .005<br>X.XX ± .015     | MM: X.XX ± 0.15MM<br>X.X ± 0.4MM | -       | WAS SK3003-01 | JAM 5/11/05 |
| FRACTIONS ± 1/64                          | ANG. ± 1°                        | CHANGES |               |             |