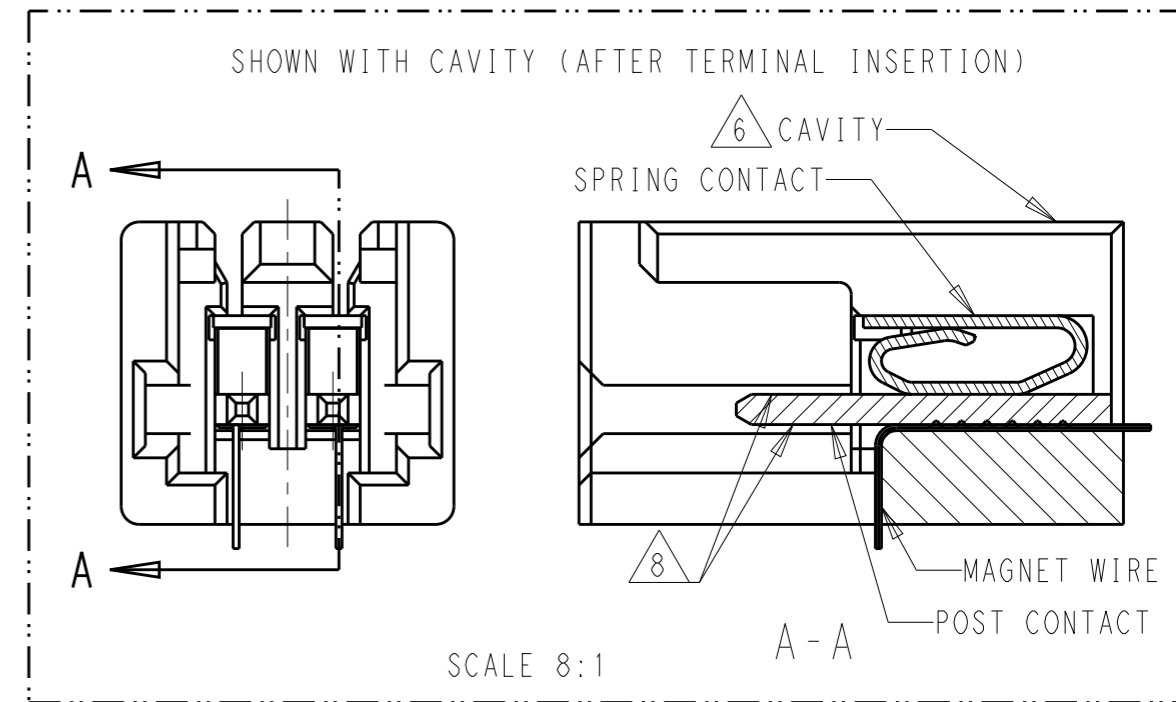
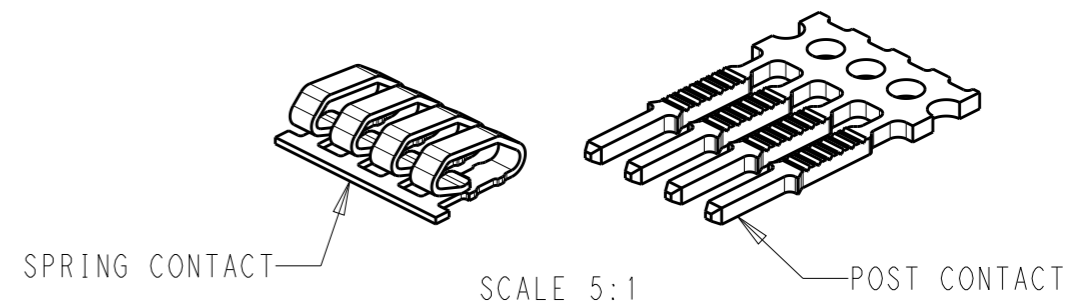
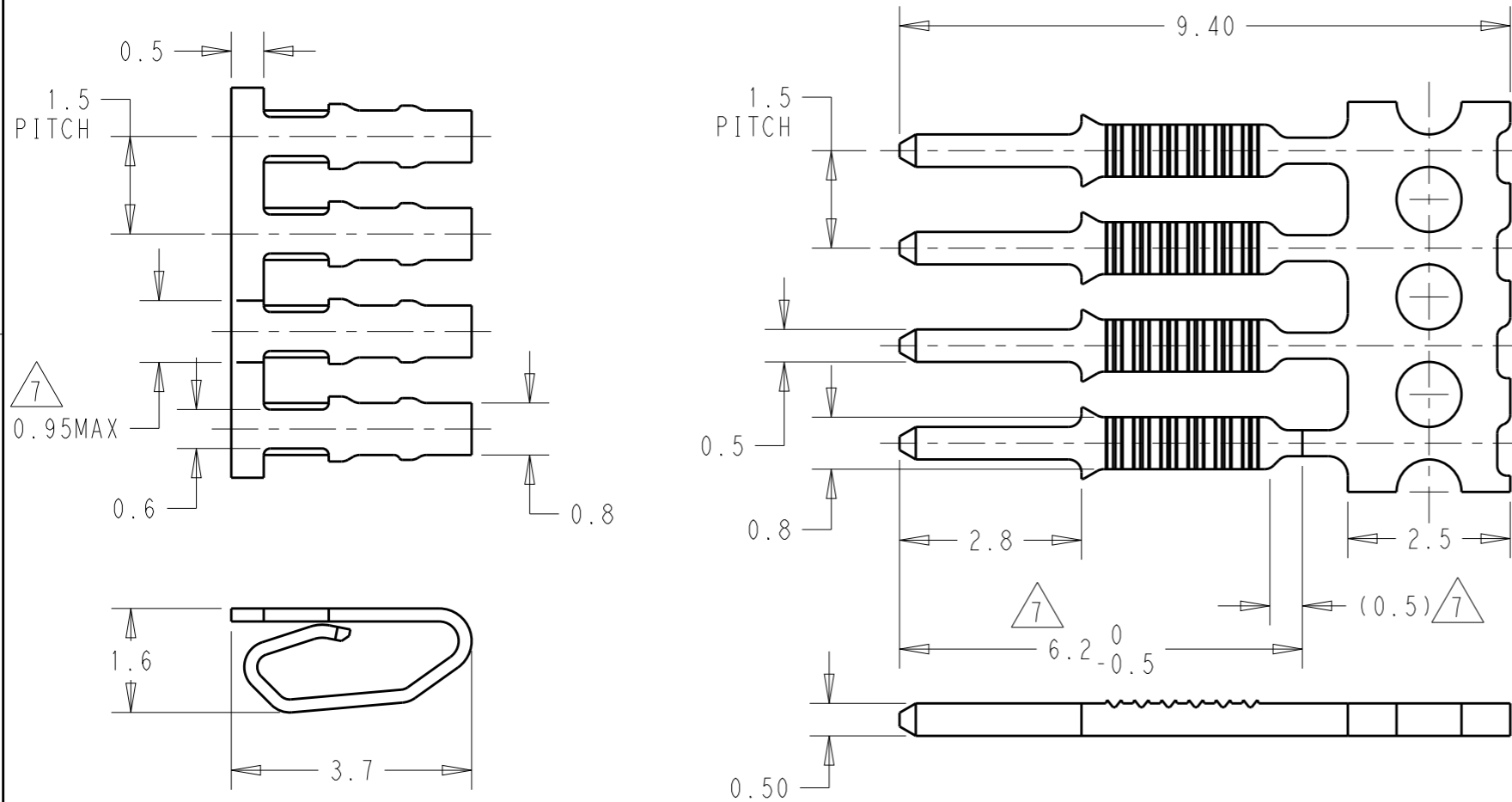


P	LTR	DESCRIPTION	DATE	DWN	APVD
	A2	REVISED PER ECR-20-012731	28JUL2020	KS	TD



1. CONTINUOUS STRIP ON REELS WITH TERMINALS LOCATED ON 1.50±0.05 CENTERS.

(2) WIRE RANGE:  
 Ø0.08-Ø0.25 COPPER MAGNET WIRE FOR SINGLE WIRE  
 Ø0.08-Ø0.15 COPPER MAGNET WIRE FOR DOUBLE WIRE

(3) WIRE RANGE:  
 Ø0.25 COPPER MAGNET WIRE FOR DOUBLE WIRE

4. PARTS WILL BE SUPPLIED IN ONE SHIPPING BOX AS EXPLAINED BELOW.  
 POST CONTACT (20,000PCS/REEL) + SPRING CONTACT (20,000PCS/REEL)

(5) NET WEIGHT  
 POST CONTACT: 0.036g  
 SPRING CONTACT: 0.013g

(6) APPLICATION SPECIFICATION: 114-78037

(7) APPLICATOR CUT-OFF DIMENSION

(8) SCRATCH MARK IN TERMINAL INSERTION PROCESS IS ACCEPTABLE.

(3)	POST CONTACT: TIN PLATE	POST CONTACT: BRASS	2366999-2
(2)	SPRING CONTACT: NONE	SPRING CONTACT: STAINLESS STEEL	2366999-1
WIRE RANGE	FINISH	MATERIAL	PART NO.

THIS DRAWING IS A CONTROLLED DOCUMENT.		DWN KEN SAKAI 04JUN2020														
DIMENSIONS: mm		CHK JUSTIN HUANG 04JUN2020														
TOLERANCES UNLESS OTHERWISE SPECIFIED: ±0.3		APVD TIM DING 04JUN2020														
<table border="1"> <tbody> <tr> <td>Ø PLC</td> <td>±</td> </tr> <tr> <td>1 PLC</td> <td>±</td> </tr> <tr> <td>2 PLC</td> <td>±</td> </tr> <tr> <td>3 PLC</td> <td>±</td> </tr> <tr> <td>4 PLC</td> <td>±</td> </tr> <tr> <td>ANGLES</td> <td>±3°</td> </tr> </tbody> </table>		Ø PLC	±	1 PLC	±	2 PLC	±	3 PLC	±	4 PLC	±	ANGLES	±3°	PRODUCT SPEC 108-140191	NAME NANO MAG-MATE TERMINALS	
Ø PLC	±															
1 PLC	±															
2 PLC	±															
3 PLC	±															
4 PLC	±															
ANGLES	±3°															
MATERIAL SEE TABLE	FINISH SEE TABLE	APPLICATION SPEC (6)	SIZE A3	CAGE CODE 00779	DRAWING NO C-2366999	RESTRICTED TO -										
CUSTOMER DRAWING			SCALE 10:1	SHEET 1 OF 1	REV A2											