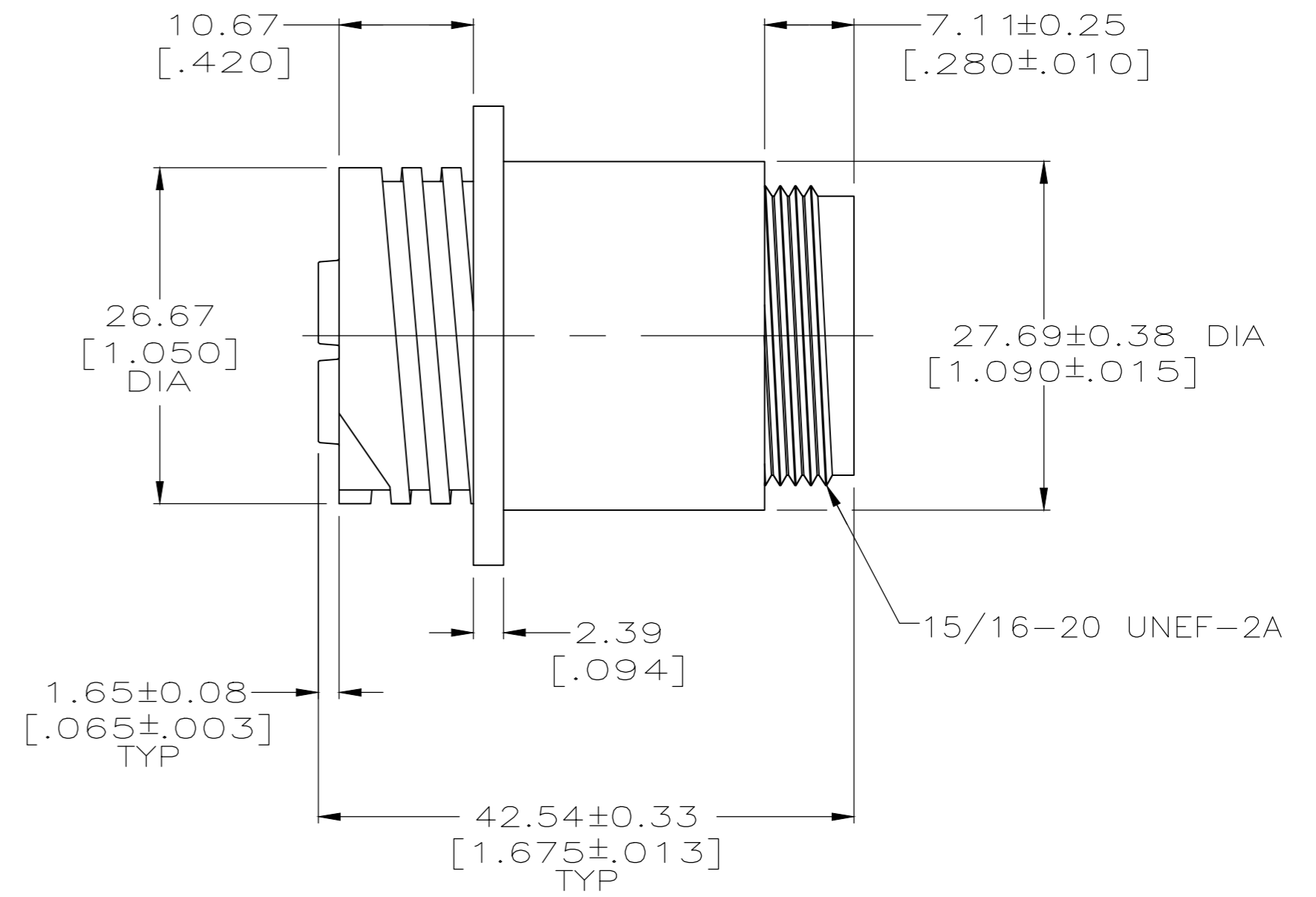
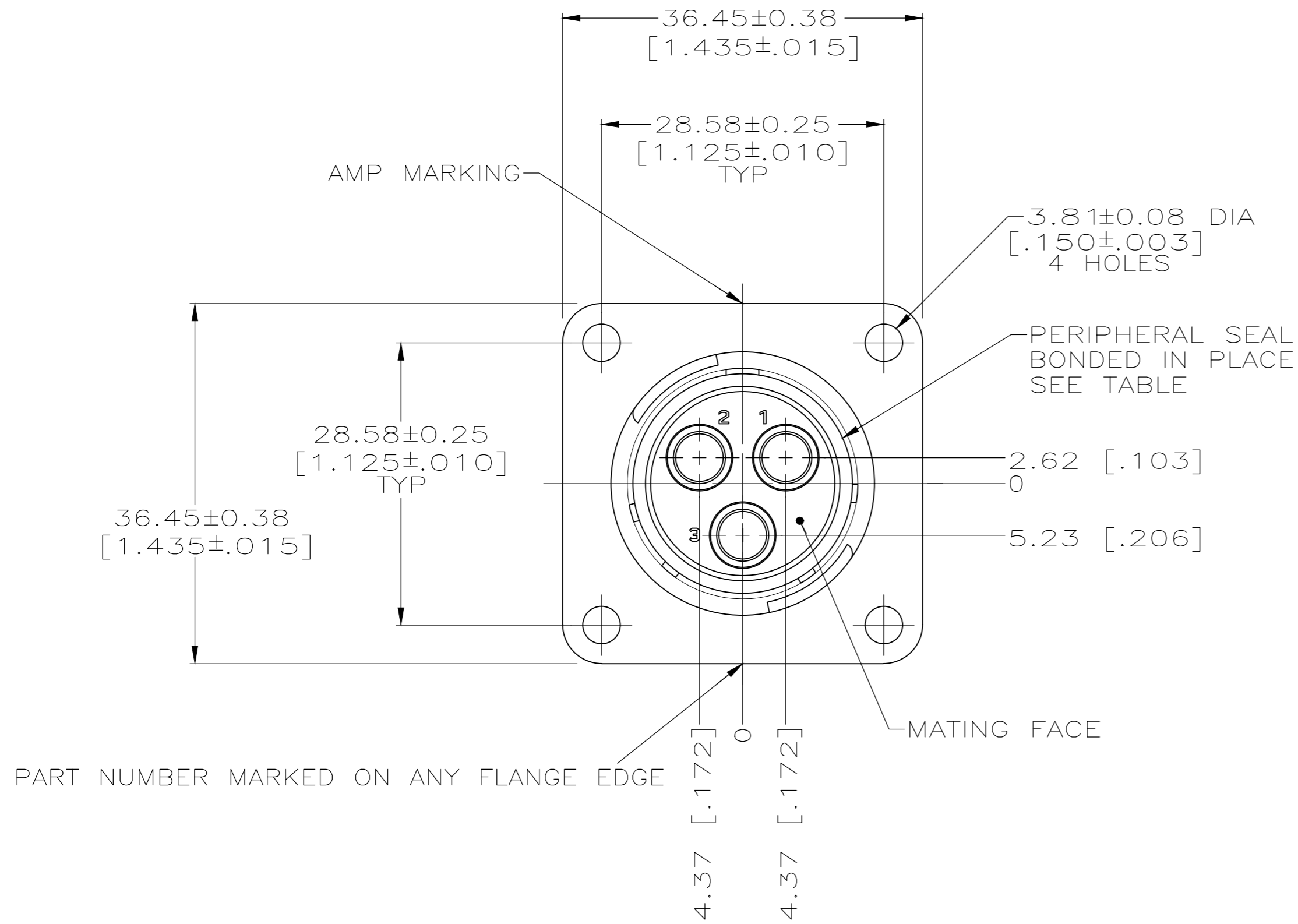


THIS DRAWING IS UNPUBLISHED. RELEASED FOR PUBLICATION
 © COPYRIGHT - By - ALL RIGHTS RESERVED.

REVISIONS					
P	LTR	DESCRIPTION	DATE	DWN	APVD
A1		REVISED PER ECO-11-004917	11MAR11	RK	HMR
B		REVISED PER ECO-18-007248	17MAY18	KH	MZ



YES	213889-2
NO	213889-1
PERIPHERAL SEAL	PART NUMBER

THIS DRAWING IS A CONTROLLED DOCUMENT.		DWN	D.HARDY	06/23/95	 TE Connectivity Ltd.
DIMENSIONS:		CHK	R.STONE	06/29/95	
mm [INCHES]		APVD	A.FRANTUM	06/29/95	
TOLERANCES UNLESS OTHERWISE SPECIFIED:		PRODUCT SPEC	108-1579	APPLICATION SPEC	
0 PLC	± -	NAME		RECEPTACLE HOUSING,	
1 PLC	± -	SIZE		REVERSE SEX, SERIES 5, 17-3,	
2 PLC	± 0.13 [.005]	CAGE CODE		CIRCULAR PLASTIC CONNECTOR	
3 PLC	± -	DRAWING NO		RESTRICTED TO	
4 PLC	± -	SCALE		2:1	
ANGLES	± -	SHEET		1 of 1	
MATERIAL	NYLON, BLACK	WEIGHT		0	
FINISH	-	CUSTOMER DRAWING		REV B	