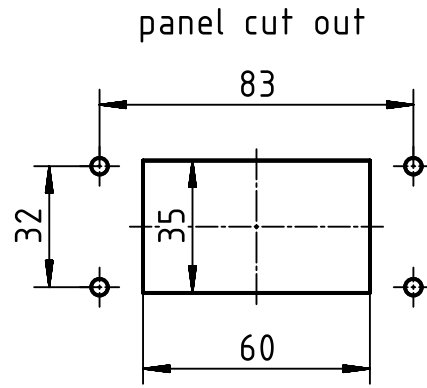
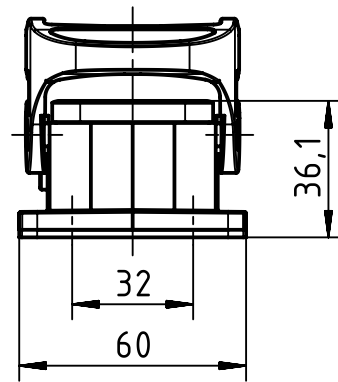
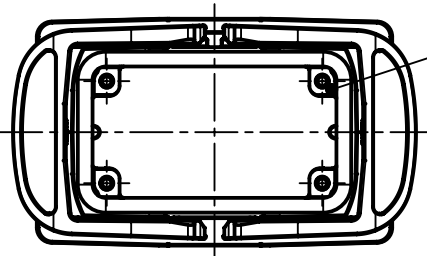
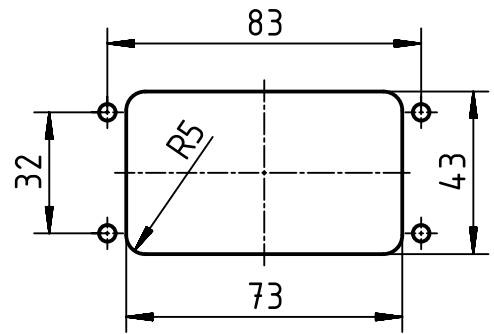


NBR seal

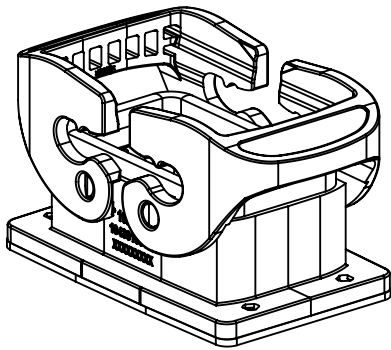
NBR gasket separately enclosed



panel cut out for assembly from the inner side of cabinet



carrier frame separately enclosed



	All rights reserved Department EL PD - DE	All Dimensions in mm Original Size DIN A4		Scale 1:2	Free size tol.	Ref.	Sub.	
		Created by ROEBEN	Inspected by SCHENK	Standardisation RUETERA	Date 2018-04-09	State Final Release	Doc-Key / ECM-Nr. 100739499/UGD/001/B 500000133000	
HARTING Electric GmbH & Co. KG D-32339 Espelkamp		Title Han-Eco 10B-HBM-with DL			Type TB	Number 19 43 010 0320	Rev. B	Page 1/1