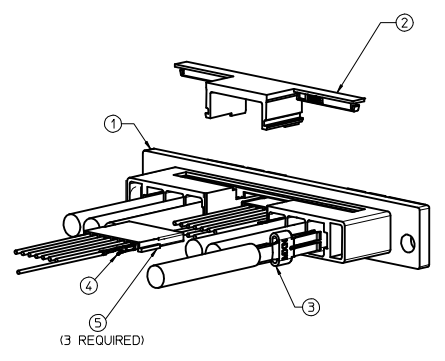
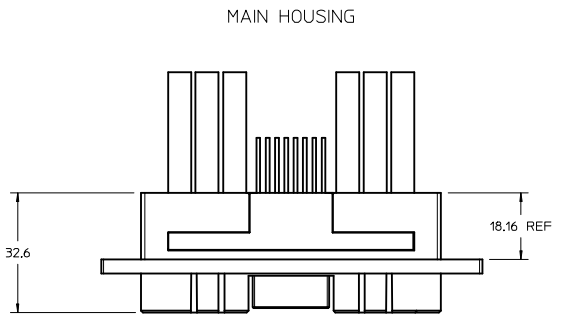


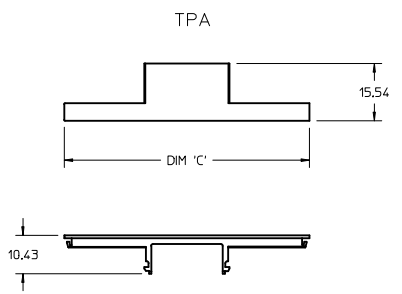
CKT SIZE	① HOUSING	② TPA	③ POWER TERMINAL	④ SIGNAL TERMINAL	⑤ SIGNAL HOUSING (3 OF EA REQ'D)	DIMENSION 'A'	DIMENSION 'B'	DIMENSION 'C'	DIMENSION 'D'	DIMENSION 'E'
	MATERIAL: PBT, FILLED	MATERIAL: PBT, FILLED	MATERIAL: COPPER ALLOY FINISH: TIN OVER NICKEL W/SELECT GOLD	MATERIAL: PHOS. BRONZE FINISH: TIN OVER NICKEL W/SELECT GOLD	MATERIAL: NYLON, UNFILLED					
2P-12S	172512-3212	46708-3212	173693-****	70058-****	46709-0004	63.81	55.01	26.48	12.37	43.74
2P-18S	172512-3218	46708-3218	173693-****	70058-****	46709-0006	68.89	60.09	31.80	17.44	48.82
2P-24S	172512-3224	46708-3224	173693-****	70058-****	46709-0008	73.97	65.17	36.85	22.53	53.90
4P-12S	172512-3412	46708-3412	173693-****	70058-****	46709-0004	78.81	70.01	41.48	12.37	58.74
4P-18S	172512-3418	46708-3418	173693-****	70058-****	46709-0006	83.89	75.09	46.80	17.44	63.82
4P-24S	172512-3424	46708-3424	173693-****	70058-****	46709-0008	88.97	80.17	51.85	22.53	68.90
6P-12S	172512-3612	46708-3612	173693-****	70058-****	46709-0004	93.81	85.01	55.73	12.37	73.74
6P-18S	172512-3618	46708-3618	173693-****	70058-****	46709-0006	98.89	90.09	61.85	17.44	78.82
6P-24S	172512-3624	46708-3624	173693-****	70058-****	46709-0008	103.97	95.17	66.93	22.53	83.90



EXPLODED VIEW

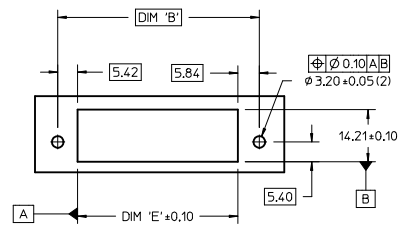
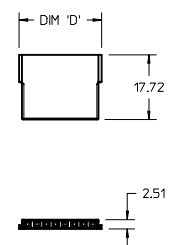


MAIN HOUSING

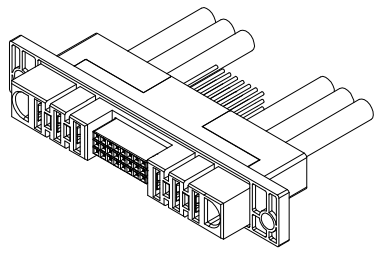
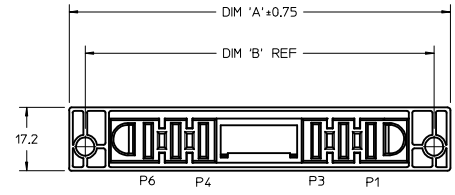


TPA

SIGNAL HOUSING



PANEL CUTOUT  
(FRONT VIEW)

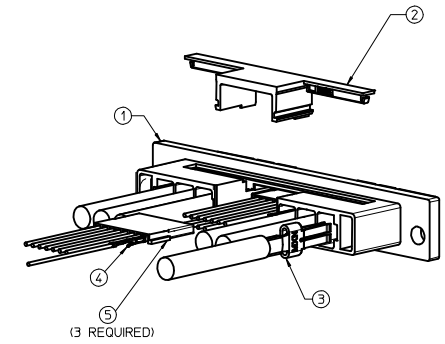


NOTES:

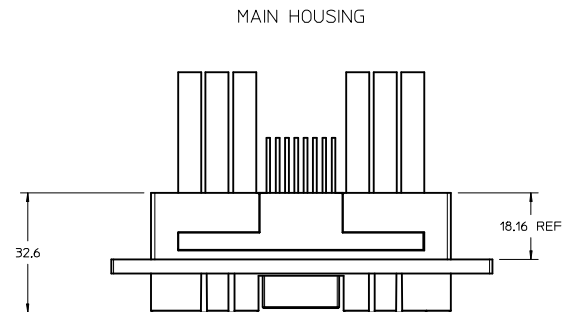
- SEE CHART FOR MATERIAL DETAILS
- PART MATES TO MOLEX PLUG SERIES 172458.
- ASSEMBLY SHOWN FOR REFERENCE ONLY. EACH ITEM HAS TO BE ORDERED SEPARATELY.
- PANEL MOUNTING HARDWARE: (2) M3 X 0.5 X 4.00 LG PRECISION SHOULDER SCREWS AND (2) M3 X 0.5 HEX NUTS TO BE PURCHASED SEPARATELY BY CUSTOMER.
- SEE SD-173693-001 FOR POWER TERMINAL DETAILS.
- SEE SD-70058-\*\*\* FOR SIGNAL TERMINAL DETAILS.

CHG TRMNL P/N EC NO: UCP2016-4071 DRAWN: JSCHAER 2016/04/18 CHKD: APPR: BPISZCZOR 2016/10/03	QUALITY SYMBOLS	GENERAL TOLERANCES (UNLESS SPECIFIED)	DIMENSION STYLE <b>MM ONLY</b>	SCALE <b>1.5:1</b>	DESIGN UNITS <b>METRIC</b>	THIRD ANGLE PROJECTION
	▽=0	4 PLACES ±---   INCH	DRAWN BY JSCHAER	DATE 2014/01/24	TITLE <b>TEN60 RECEIPT ASSY POWER/SIGNAL MIXED PANEL-TO-BOARD</b>	
	▽=0	3 PLACES ±---   INCH	CHECKED BY	DATE		
	▽=0	1 PLACE ±0.25   INCH	APPROVED BY BPISZCZOR	DATE 2016/10/03		
		ANGULAR ±1/2°	MATERIAL NO. <b>SEE CHART</b>	DOCUMENT NO. <b>SD-172512-001</b>	SHEET NO. <b>1 OF 1</b>	
		DRAFT WHERE APPLICABLE MUST REMAIN WITHIN DIMENSIONS	THIS DRAWING CONTAINS INFORMATION THAT IS PROPRIETARY TO MOLEX INCORPORATED AND SHOULD NOT BE USED WITHOUT WRITTEN PERMISSION			

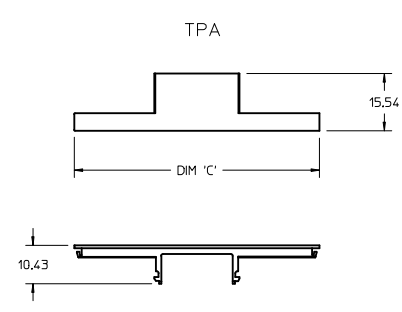
20	19	18	17	16	15	14	13	12	11	10	9	8	7	6	5	4	3	2	1
CKT SIZE	① HOUSING	② TPA	③ POWER TERMINAL	④ SIGNAL TERMINAL	⑤ SIGNAL HOUSING (3 OF EA REQ'D)	DIMENSION 'A'	DIMENSION 'B'	DIMENSION 'C'	DIMENSION 'D'	DIMENSION 'E'									
	MATERIAL: PBT, FILLED	MATERIAL: PBT, FILLED	MATERIAL: COPPER ALLOY FINISH: TIN OVER NICKEL W/SELECT GOLD	MATERIAL: PHOS. BRONZE FINISH: TIN OVER NICKEL W/SELECT GOLD	MATERIAL: NYLON, UNFILLED														
2P-12S	172512-3212	46708-3212	173693-****	70058-****	46709-0004	63.81	55.01	26.48	12.37	43.74									
2P-18S	172512-3218	46708-3218	173693-****	70058-****	46709-0006	68.89	60.09	31.80	17.44	48.82									
2P-24S	172512-3224	46708-3224	173693-****	70058-****	46709-0008	73.97	65.17	36.85	22.53	53.90									
4P-12S	172512-3412	46708-3412	173693-****	70058-****	46709-0004	78.81	70.01	41.48	12.37	58.74									
4P-18S	172512-3418	46708-3418	173693-****	70058-****	46709-0006	83.89	75.09	46.80	17.44	63.82									
4P-24S	172512-3424	46708-3424	173693-****	70058-****	46709-0008	88.97	80.17	51.85	22.53	68.90									
6P-12S	172512-3612	46708-3612	173693-****	70058-****	46709-0004	93.81	85.01	55.73	12.37	73.74									
6P-18S	172512-3618	46708-3618	173693-****	70058-****	46709-0006	98.89	90.09	61.85	17.44	78.82									
6P-24S	172512-3624	46708-3624	173693-****	70058-****	46709-0008	103.97	95.17	66.93	22.53	83.90									



EXPLODED VIEW

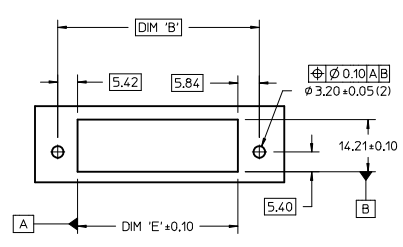
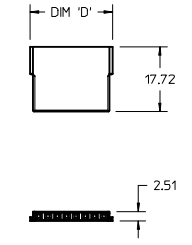


MAIN HOUSING

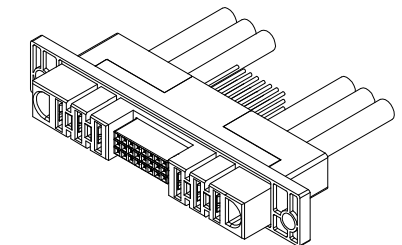
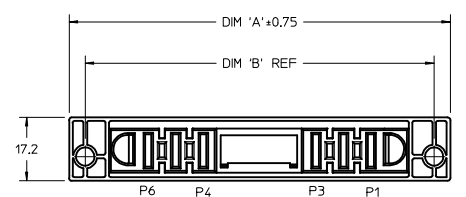


TPA

SIGNAL HOUSING



PANEL CUTOUT (FRONT VIEW)



- NOTES:
- SEE CHART FOR MATERIAL DETAILS
  - PART MATES TO MOLEX PLUG SERIES 172458.
  - ASSEMBLY SHOWN FOR REFERENCE ONLY. EACH ITEM HAS TO BE ORDERED SEPARATELY.
  - PANEL MOUNTING HARDWARE: (2) M3 X 0.5 X 4.00 LG PRECISION SHOULDER SCREWS AND (2) M3 X 0.5 HEX NUTS TO BE PURCHASED SEPARATELY BY CUSTOMER.
  - SEE SD-173693-001 FOR POWER TERMINAL DETAILS.
  - SEE SD-70058-\*\*\* FOR SIGNAL TERMINAL DETAILS.

CHG TRMNL P/N EC NO: UCP2016-4071 DRAWN: JSCHAER 2016/04/18 CHKD: APPR: BPISZCZOR 2016/10/03	QUALITY SYMBOLS	GENERAL TOLERANCES (UNLESS SPECIFIED)	DIMENSION STYLE <b>MM ONLY</b>	SCALE <b>1.5:1</b>	DESIGN UNITS <b>METRIC</b>	THIRD ANGLE PROJECTION
	▽=0 ▽=0 ▽=0	4 PLACES ± 3 PLACES ± 2 PLACES ± 1 PLACE ± 0 PLACE ±	mm INCH	DRAWN BY JSCHAER DATE 2014/01/24	TITLE <b>TEN60 RECEIPT ASSY POWER/SIGNAL MIXED PANEL-TO-BOARD</b>	
		ANGULAR ±1/2° DRAFT WHERE APPLICABLE MUST REMAIN WITHIN DIMENSIONS	APPROVED BY BPISZCZOR DATE 2016/10/03	MATERIAL NO. <b>SEE CHART</b>	DOCUMENT NO. <b>SD-172512-001</b>	SHEET NO. <b>1 OF 1</b>
			THIS DRAWING CONTAINS INFORMATION THAT IS PROPRIETARY TO MOLEX INCORPORATED AND SHOULD NOT BE USED WITHOUT WRITTEN PERMISSION			