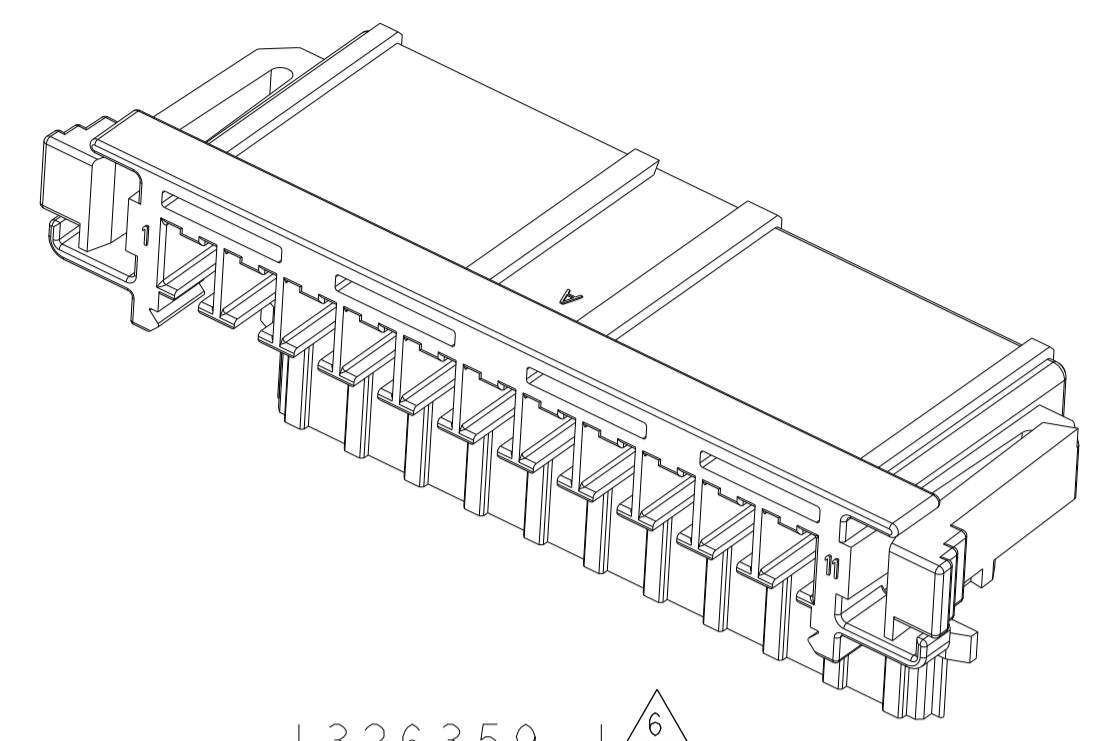
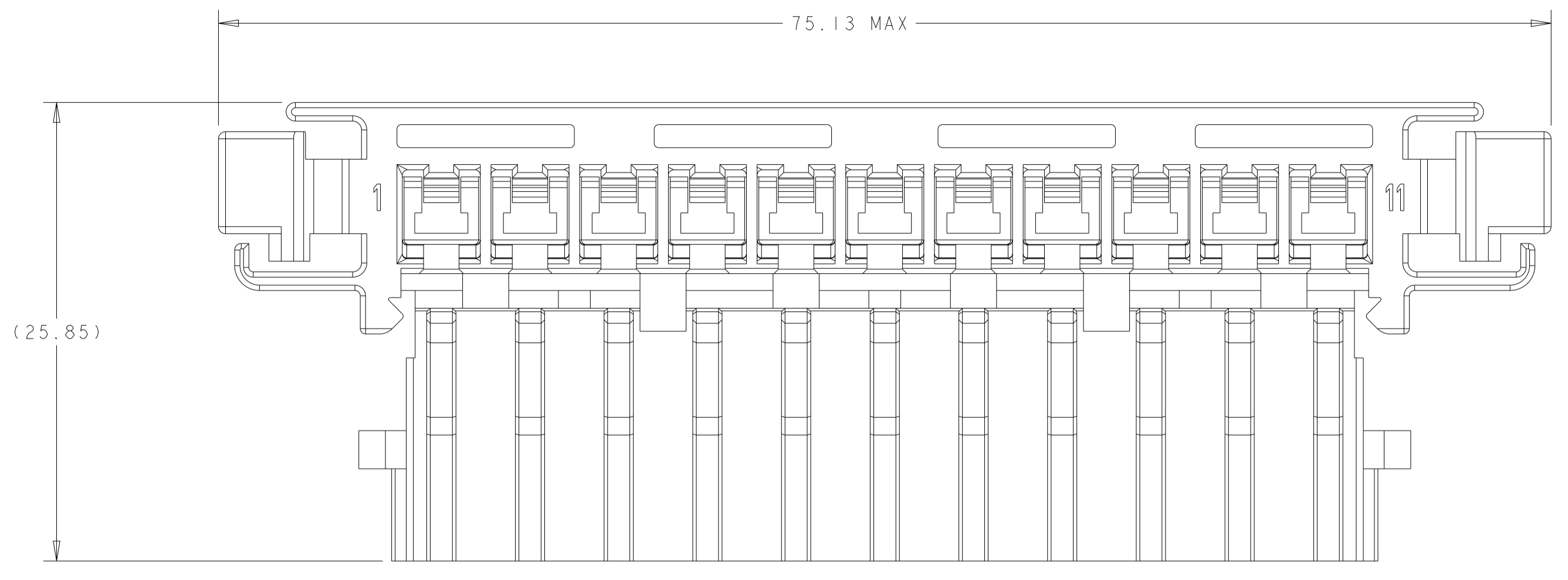
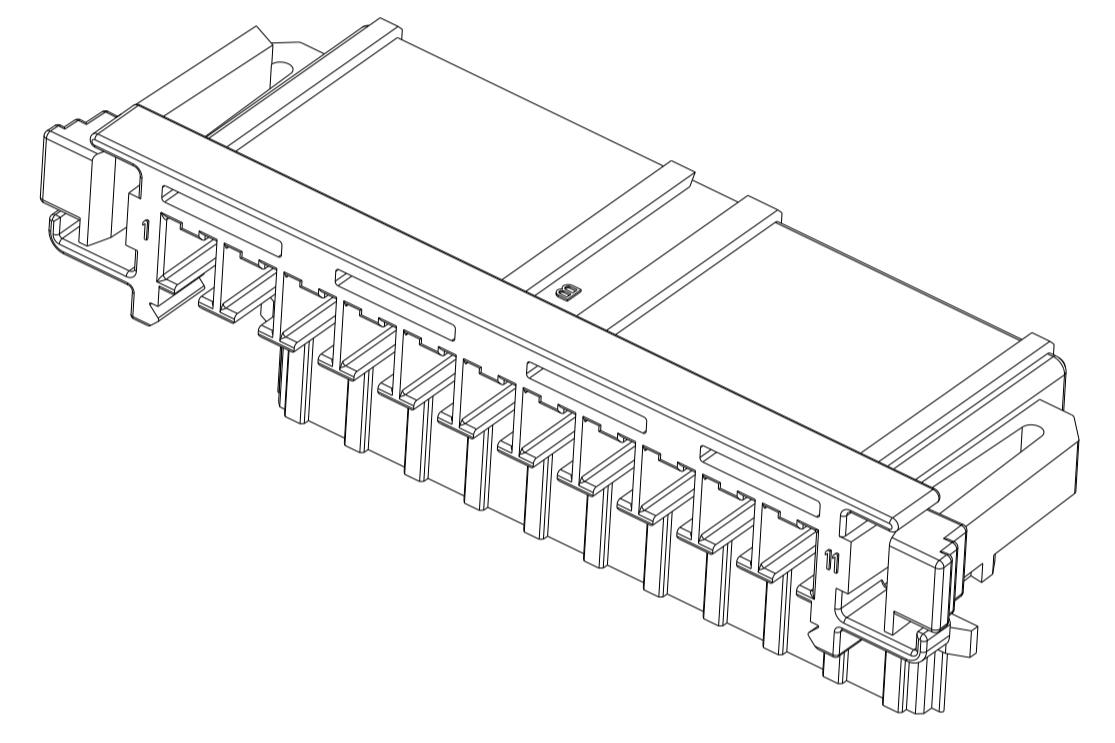
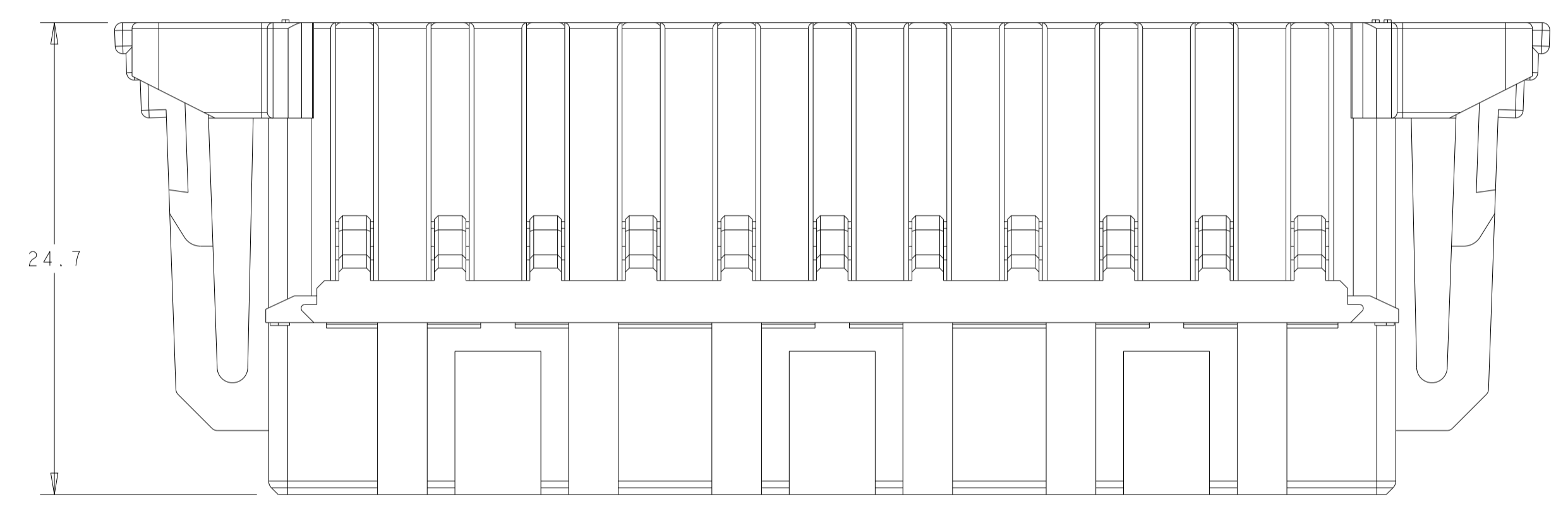


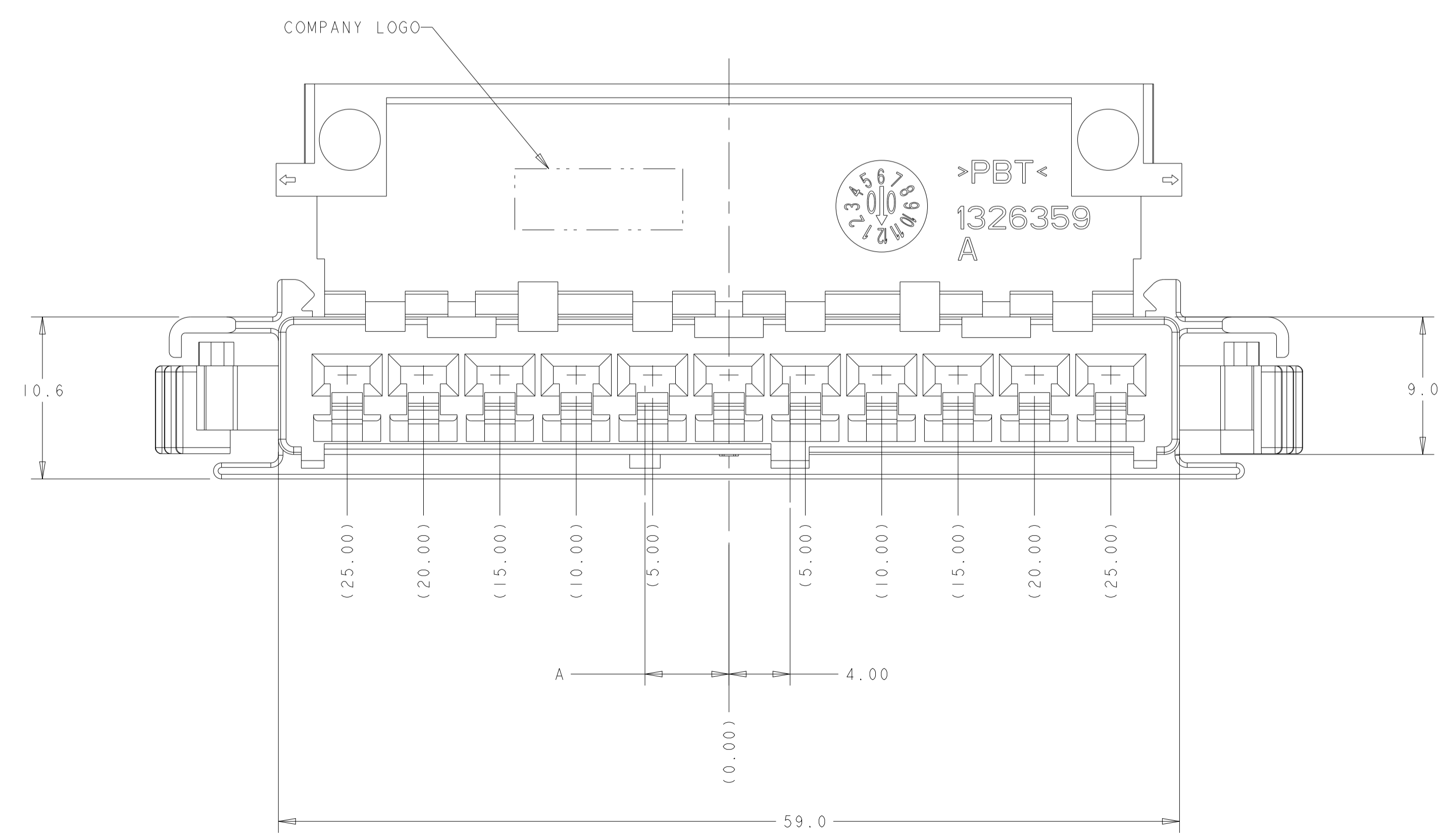
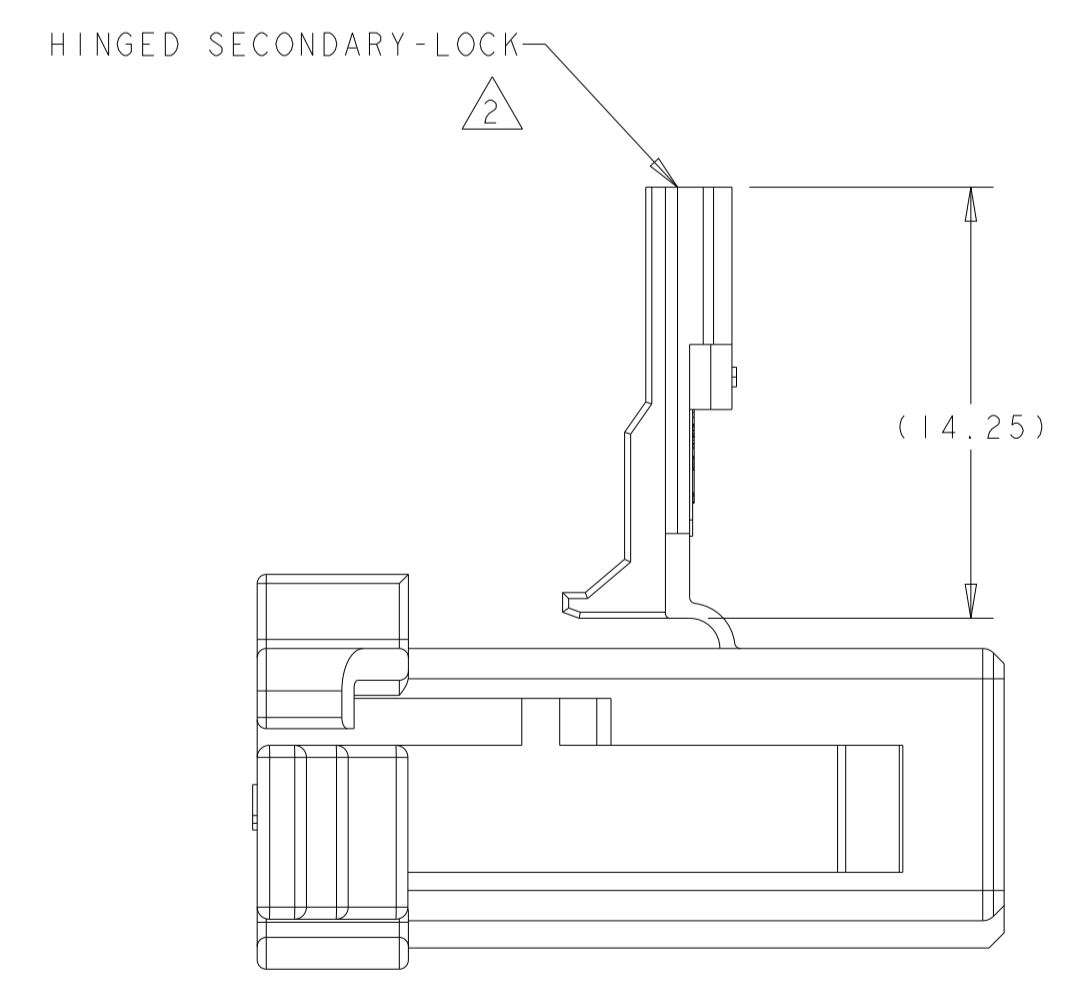
LOC	DIST	REVISIONS			
P	LTN	DESCRIPTION	DATE	DWN	APVD
B		REVISED PER EC 0K40-0042-05	08MAR2005	DLD	DHC
C		REVISED PER ECR-07-006654	28MAR2007	AH	DC
C1		REV PER ECR-10-014131	19JUL2010	VSS	SM
C2		REV PER ECN-22-173913	05OCT2022	JMS	S1



1326359-1  
SCALE 2:1



1326359-2  
SCALE 2:1



- △ HOUSING MATERIAL: PBT, 25% MAX REGRIND.
- △ SECONDARY LOCK SHOWN IN UNLOCKED POSITION.
- 3. TERMINALS SOLD SEPARATELY, SEE TE RECOMMENDED P/N 1326030 FOR TERMINATION AND REELING OPTIONS, OR APPROVED ALTERNATE.
- 4. THIS HOUSING DOES NOT ALLOW THE INSERTION OF TERMINALS CRIMPED TO 10 AWG WIRE.
- 5. REMOVED
- △ INTERFERENCE KEYING FOR P/N 1326359-1 IS LOCATED ON THE KEYED SIDE OF THE LATCH ADJACENT TO CIRCUIT 11. INTERFERENCE KEYING FOR P/N 1326359-2 IS LOCATED ON THE KEYED SIDE OF THE LATCH ADJACENT TO CIRCUIT 1. ONLY ONE LATCH, IN BOTH CASES, CONTAINS INTERFERENCE KEYING.

GRAY	△	KEY 'B'	2.50	1326359-2
BLACK	△	KEY 'A'	5.50	1326359-1
COLOR	INTERFERENCE KEYING	KEYING CONFIGURATION	DIM A	PART NUMBER

DIMENSIONS: mm 0 PLC ±0.3 1 PLC ±0.3 2 PLC ±0.15 3 PLC ±0.15 4 PLC ±0.15 ANGLES ±0.5 FINISH -		TOLERANCES UNLESS OTHERWISE SPECIFIED: DIMENSIONS: mm 0 PLC ±0.3 1 PLC ±0.3 2 PLC ±0.15 3 PLC ±0.15 4 PLC ±0.15 ANGLES ±0.5 FINISH -		DWN: W. HOELSCHER 24JAN2002 CHK: D. BROWN 24JAN2002 APVD: D. BROWN 24JAN2002 PRODUCT SPEC: SAE/USCAR-2, REV 3 APPLICATION SPEC: - MATERIAL: - WEIGHT: - CUSTOMER DRAWING: -		Tyco Electronics Harrisburg, PA 17105-3608 NAME: 2.8MM PLUG HOUSING 11 POSITION, UNSEALED LIVING HINGE DESIGN SIZE: A1 CAGE CODE: 00779 DRAWING NO: C=1326359 RESTRICTED TO: - SCALE: 4:1 SHEET: 1 OF 1 REV: C2	
--	--	--	--	--	--	--	--