

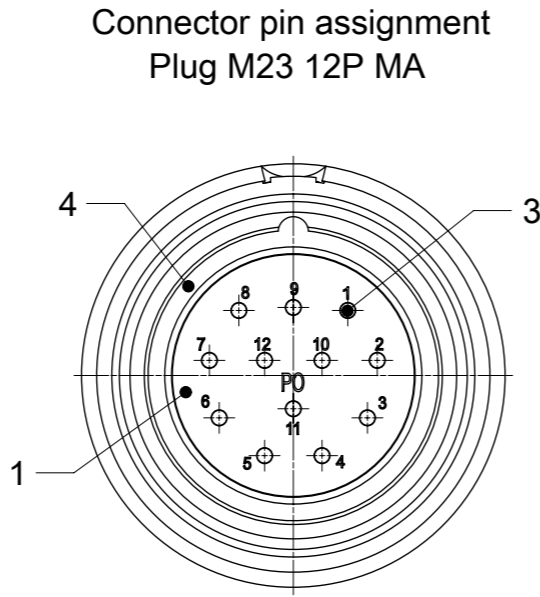
CABLE PRINT BLACK:  
MOLEX (MOLEX PN) MXYWW  
(ACCORDING TO WN-00017)

Technical Data:

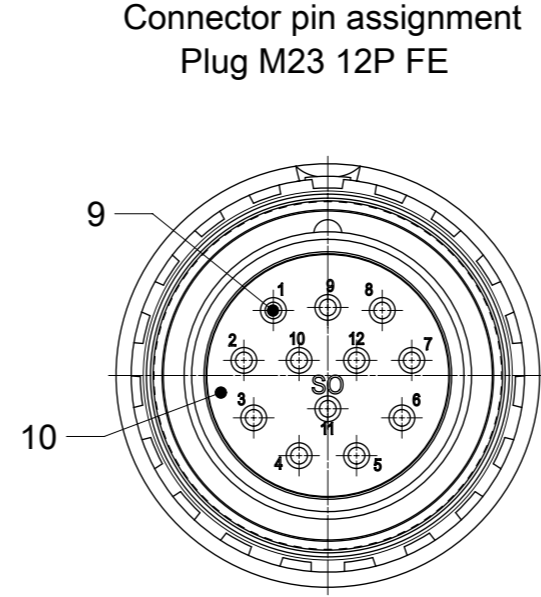
Nominal current [A]	9 (for 0.50mm²) / 5 (for 0.38mm²)
Nominal voltage [V~]	200
Degree of pollution	3
Test voltage [V~]	1500
Max. contact resistance [mΩ]	3
Insulation resistance [MΩ]	> 100
Protection	IP67 (connected)
Temperature range (fixed)	-40°C to 90°C
Temperature range (flex)	-25°C to 80°C

Further technical data see  
Product Specification 1204900050  
Electrical Test according to 1204900051

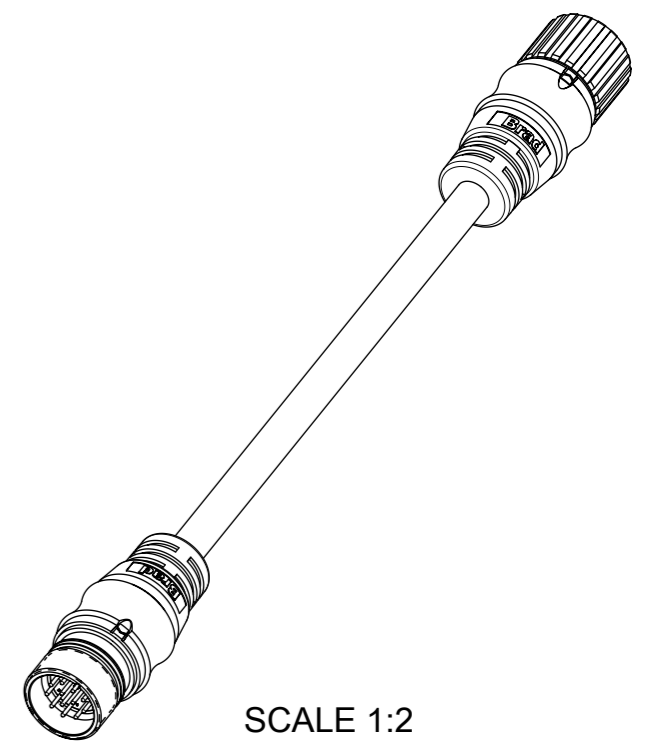
Packaging:  
The cordsets delivered packed into Carton.



SCALE 2:1



SCALE 2:1



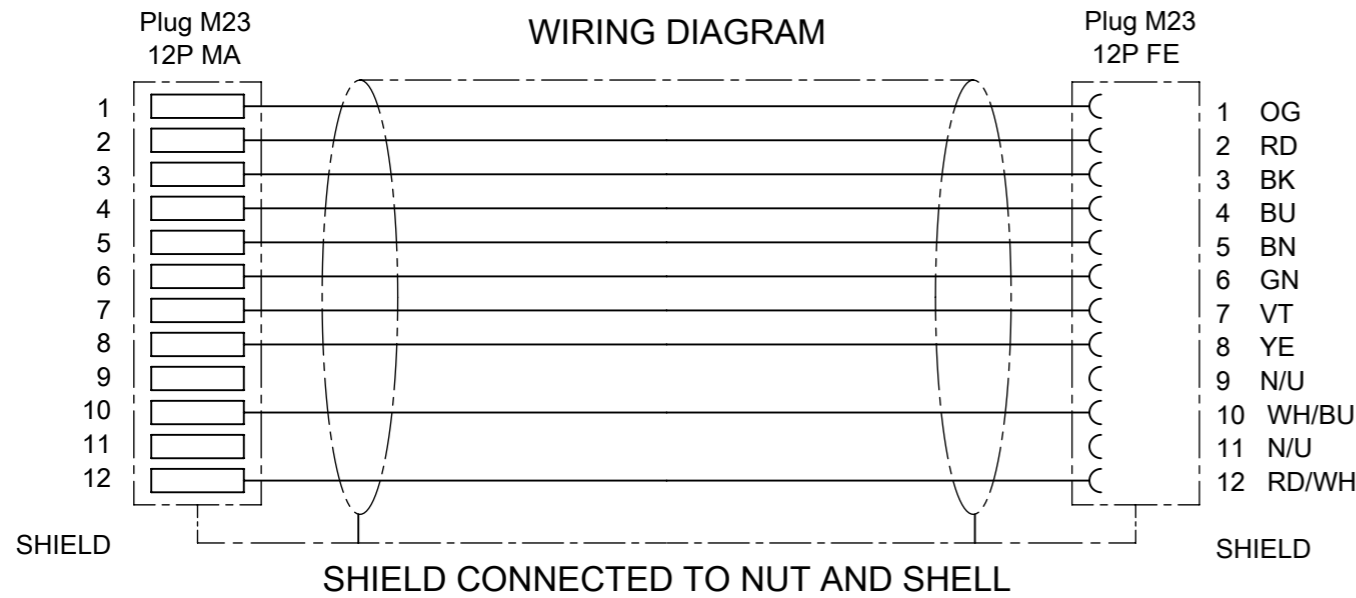
SCALE 1:2

TABLE 1

MOLEX PN	ENGINEERING No.	L [mm]	Tol. [mm]
1204900101	KKSCS30W09M010	1000	+40
1204900102	KKSCS30W09M020	2000	+60
1204900103	KKSCS30W09M030	3000	+60
1204900104	KKSCS30W09M040	4000	+60
1204900105	KKSCS30W09M050	5000	+60
1204900106	KKSCS30W09M100	10000	+80
1204900107	KKSCS30W09M150	15000	+140
1204900108	KKSCS30W09M200	20000	+140

DOCUMENT STATUS P1 RELEASE DATE 2019/09/12 10:15:21

<b>SYMBOLS</b> ▽ = 0 ▽ = 0 ▽ = 0 ▽ = 0 ▽ = 0 ▽ = 0 ▽ = 0 ▽ = 0 ▽ = 0 ▽ = 0 ▽ = 0 ▽ = 0 ▽ = 0	THIS DRAWING CONTAINS INFORMATION THAT IS PROPRIETARY TO MOLEX ELECTRONIC TECHNOLOGIES, LLC AND SHOULD NOT BE USED WITHOUT WRITTEN PERMISSION DIMENSION UNITS: <b>mm</b> SCALE: <b>1:1</b>	CURRENT REV DESC: EC NO: 623921 DRWN: SSM 2019/09/09 CHK'D: RSILLER 2019/09/12 APPR: RSILLER 2019/09/12			
	GENERAL TOLERANCES (UNLESS SPECIFIED) ANGULAR TOL ± 1.0° 4 PLACES ± 3 PLACES ± 2 PLACES ± 0.05 1 PLACE ± 0.3 0 PLACES ± 0.5	DRAFT WHERE APPLICABLE MUST REMAIN WITHIN DIMENSIONS THIRD ANGLE PROJECTION			
	PRODUCT CUSTOMER DRAWING		MATERIAL NUMBER: SEE TABLE 1 CUSTOMER: GENERAL MARKET	SHEET NUMBER: 1 OF 2	



**TABLE 2**

ITEM	QTY	DESCRIPTION	MATERIAL	FINISH
1	1	INSERT M23 MALE 12P BLACK	PA66	-
2	1	SHELL M23 MALE	BRASS	NICKEL PLATED
3	12	CONTACT 10 MALE	BRASS	GOLD
4	1	GASKET OR 17X2 BLACK	NBR	-
5	1	GASKET OR 20X1.5 BLACK	NBR	-
6	-	OVERMOLD BLACK	TPU	-
7	-	CABLE 4x2x0.38+4x0.5 GREEN	WSOR	-
8	1	NUT M23 FEMALE	BRASS	NICKEL PLATED
9	12	CONTACT 10 FEMALE	BRASS	GOLD
10	1	INSERT M23 FEMALE 12P BLACK	PA66	-
11	1	SHELL M23 FEMALE	BRASS	NICKEL PLATED

<b>SYMBOLS</b> DIMENSION UNITS    SCALE mm    1:1 GENERAL TOLERANCES (UNLESS SPECIFIED) ANGULAR TOL ± 1.0° 4 PLACES ± 3 PLACES ± 2 PLACES ± 0.05 1 PLACE ± 0.3 0 PLACES ± 0.5 DRAFT WHERE APPLICABLE MUST REMAIN WITHIN DIMENSIONS THIRD ANGLE PROJECTION DRAWING A3-SIZE	THIS DRAWING CONTAINS INFORMATION THAT IS PROPRIETARY TO MOLEX ELECTRONIC TECHNOLOGIES, LLC AND SHOULD NOT BE USED WITHOUT WRITTEN PERMISSION			<b>molex</b> CSE M23 12P SC MA STR WSOR FE XM SHLD		
	CURRENT REV DESC:					
	EC NO: 623921 DRWN: SSM 2019/09/09 CHK'D: RSILLER 2019/09/12 APPR: RSILLER 2019/09/12			DOCUMENT NUMBER: 1204900101		
	INITIAL REVISION: DRWN: FGAIK 2016/12/14 APPR: RSILLER 2017/02/02			DOC TYPE: PSD		
	SERIES: 120490			DOC PART: 000		
	MATERIAL NUMBER: SEE TABLE 1			REVISION: A2		
CUSTOMER: GENERAL MARKET			SHEET NUMBER: 2 OF 2			