

THE INFORMATION CONTAINED HEREIN IS CONSIDERED "PROPRIETARY" TO BEL FUSE INC. AND SHALL NOT BE COPIED, REPRODUCED OR DISCLOSED WITHOUT THE WRITTEN APPROVAL OF BEL FUSE INC.

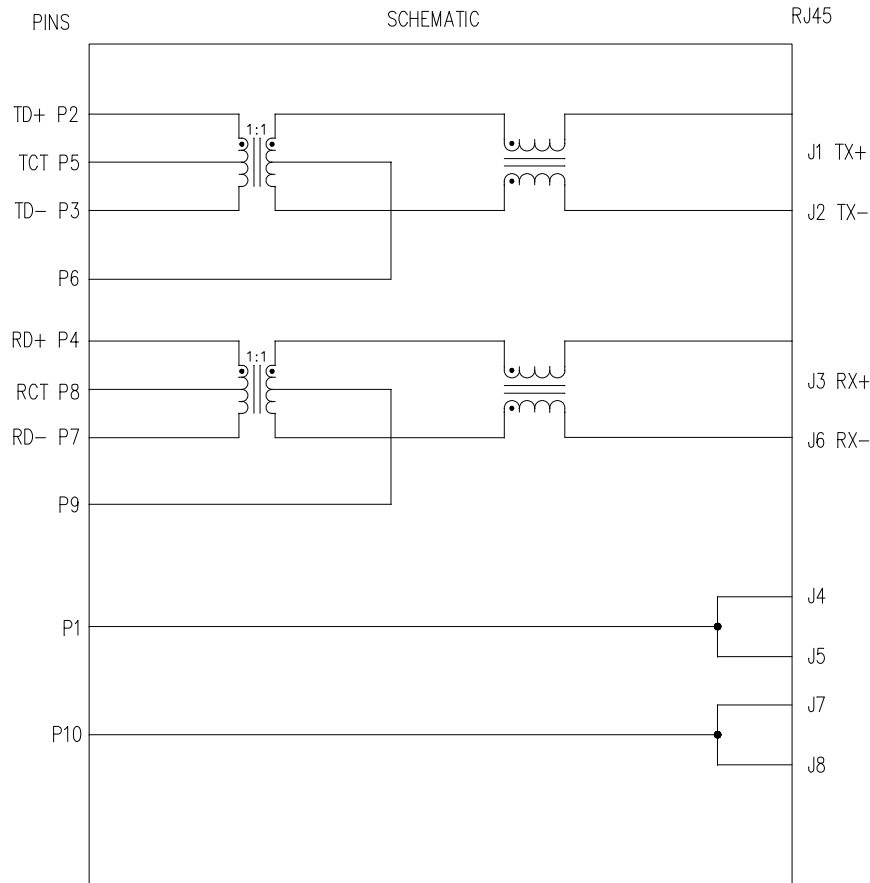


**ELECTRICAL CHARACTERISTICS @ 25°C**

**OPERATING TEMPERATURE RANGE: -40° C TO 85° C**

CURRENT CARRYING CAPABILITY ON UNUSED PAIRS: 3A MAX P9 & P10  
1.5A MAX J4, J5, J7, & J8

- 1.0 TURNS RATIO: (P2-P3) : (J1-J2) : 1CT : 1CT ± 3%  
(P4-P7) : (J3-J6) : 1CT : 1CT ± 3%
- 2.0 INDUCTANCE: (P2-P3) : 350uH MIN. @ 0.1V, 100KHz, 8mA DC Bias  
(P4-P7) : 350uH MIN. @ 0.1V, 100KHz, 8mA DC Bias
- 3.0 DC RESISTANCE: (P2-P3); (P4-P7) : 1.2 OHMS  
(J1-J2); (J3-J6) : 1.2 OHMS
- 4.0 RETURN LOSS: (P2-P3)=100 OHMS REF. AND (P4-P7)=100 OHM REF.  
1MHz TO 30MHz : 18dB MIN.  
31MHz TO 80MHz : 12dB MIN.
- 5.0 INSERTION LOSS: RS & RL =100 ohms  
1MHz TO 100MHz : 1.1 dB TYP
- 6.0 CROSS TALK: 1MHz - 100 MHz : 35 dB TYP
- 7.0 DIFFERENTIAL TO COMMON MODE ATTENUATION:  
1MHz TO 100MHz : 40dB TYP
- 8.0 DIELECTRIC WITHSTAND: (P2-P3) TO (J1-J2) : 1500 Vrms  
(P4-P7) TO (J3-J6) : 1500 Vrms



NOTES

1.0 COMPLIES WITH THE EUROPEAN DIRECTIVE 2002/95/EC, CALLING FOR THE ELIMINATION OF LEAD AND OTHER HAZARDOUS SUBSTANCES FROM ELECTRONIC PRODUCTS.

ORIGINATED BY Bain Liu	DATE 10-15-08	TITLE <b>MagJack®</b> 10/100BT VERTICAL, SHIELDED	PART NO. / DRAWING NO. SI-46012-F	STANDARD DIM. TOL. IN INCH	[ ] METRIC DIM. AS REFERENCE
	DRAWN BY LW Yuan		DATE 10-15-08	FILE NAME SI-46012-F.DWG	.X .XX .XXX ±0.005

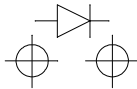


THE INFORMATION CONTAINED HEREIN IS CONSIDERED "PROPRIETARY" TO BEL FUSE INC. AND SHALL NOT BE COPIED, REPRODUCED OR DISCLOSED WITHOUT THE WRITTEN APPROVAL OF BEL FUSE INC.

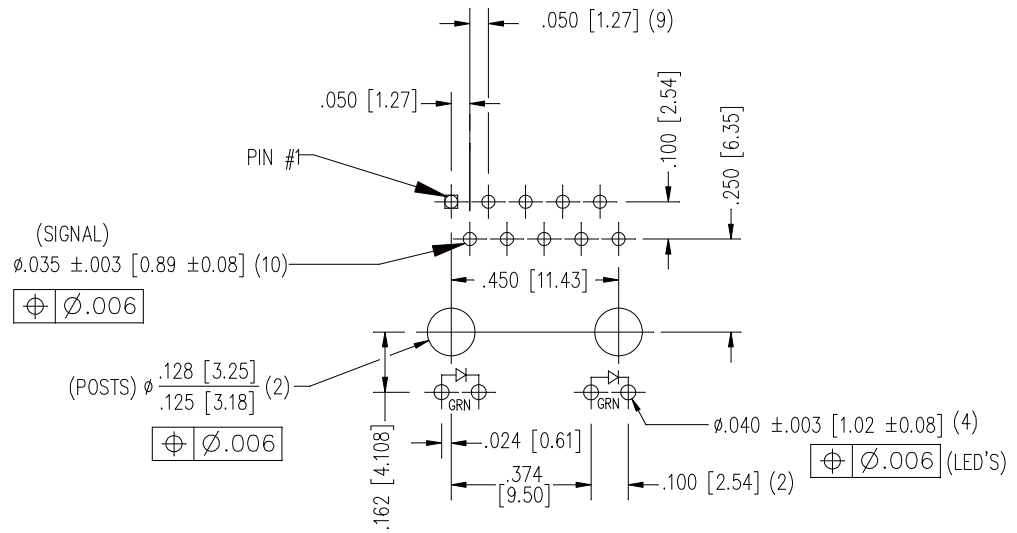
RoHS  
2002/95/EC



LED POLARITY  
(ENLARGED VIEW)

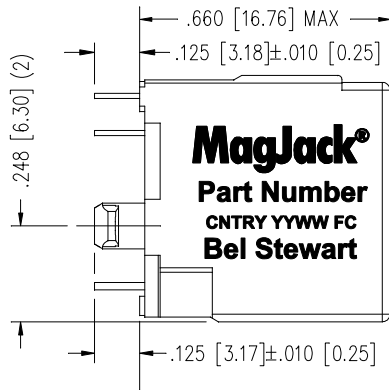


SINGLE COLOR LED

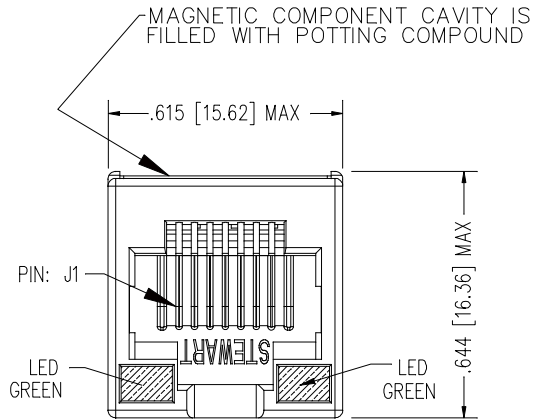


P.C.B. RECOMMENDED HOLE LAYOUT  
SEEN FROM COMPONENT SIDE

ALL CENTERLINE DIMENSIONS ARE BASIC.



**MagJack®**  
Part Number  
C NTRY YYWW FC  
Bel Stewart



NOTES:

- CONNECTOR MATERIALS:  
HOUSING: THERMOPLASTIC UL94 V-0  
CONTACT: COPPER ALLOY  
CONTACT PLATING: SELECTIVE GOLD,  
50 MICRO-INCHES MIN. IN CONTACT AREA.
- PIN NOT ELECTRICALLY CONNECTED MAYBE OMITTED.  
SEE ELECTRICAL DRAWING FOR OMITTED PINS.
- TOLERANCES COMPLY WITH F.C.C. DIMENSION REQUIREMENTS.
- ALL TOLERANCES NOT OTHERWISE SPECIFIED TO BE ±.005 [0.13]
- WAVE SOLDER COMPATIBLE - PREHEAT 125°C/90SECS.

LED SPECIFICATIONS						
STANDARD LED	* FORWARD VOLTAGE (MAX)	* FORWARD VOLTAGE (TYP)	POWER DISSIPATION	WAVELENGTH	LUMINOUS INTENSITY @ 10mA	
					MIN	MAX
GREEN DIFFUSED	2.6 V	2.25 V	105 mW	555 nm	2 MCD	8 MCD

\* WITH A FORWARD CURRENT OF 20 mA

ORIGINATED BY Bain Liu	DATE 10-15-08
DRAWN BY LW Yuan	DATE 10-15-08

TITLE <b>MagJack®</b> 10/100BT VERTICAL, SHIELDED
--

PART NO. / DRAWING NO. SI-46012-F
FILE NAME SI-46012-F.DWG

STANDARD DIM. TOL. IN INCH
.X
.XX
.XXX ±0.005

[ ] METRIC DIM. AS REFERENCE
UNIT : INCH [mm]
SCALE : N/A
REV. : 01
SIZE : A4
PAGE : 2

