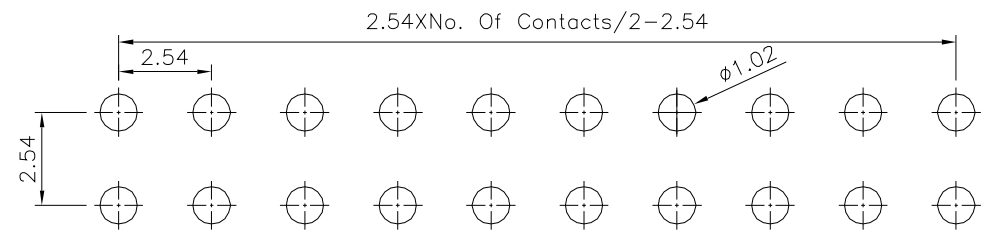
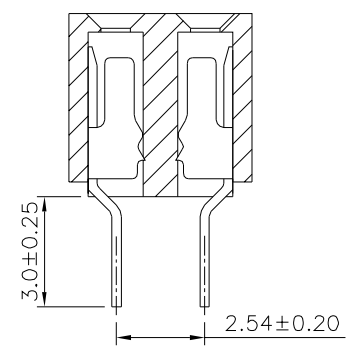
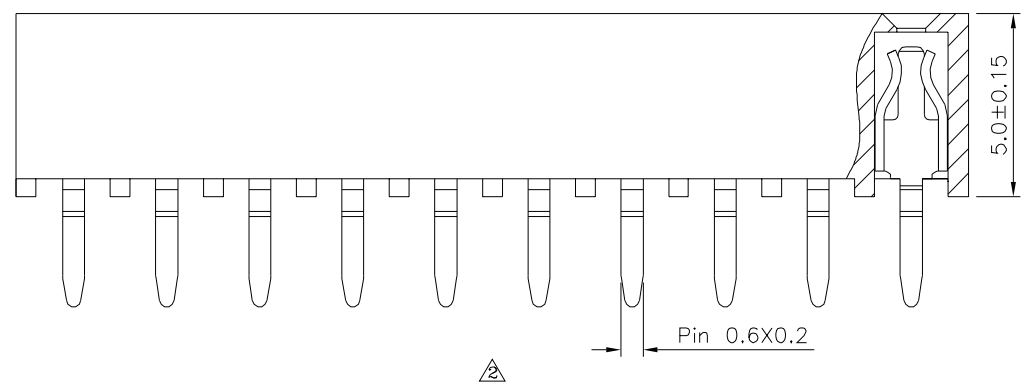
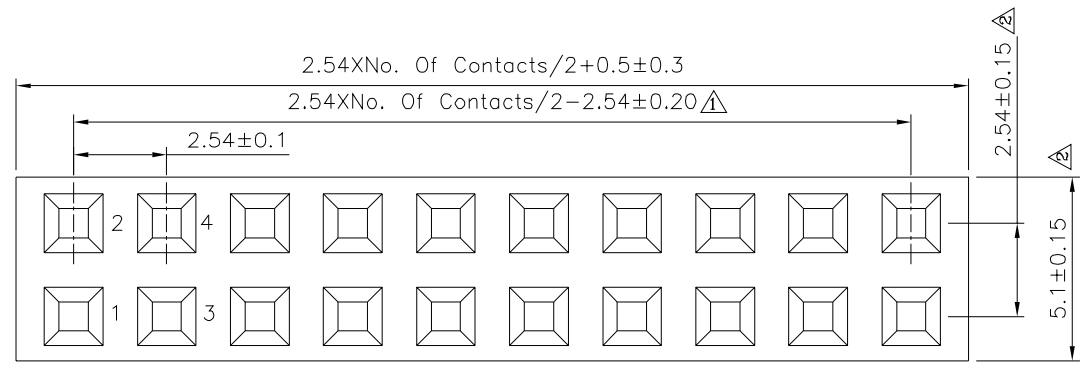


SPECIFICATION

- Current Rating:3 Amps
- ⚠ Withstanding Voltage:1000V AC
- Contact Resistance:20 Milliohms Max.
- Insulation Resistance:1000 Megaohms Min.
- Operation Temperature:-40°C~+105°C
- Housing:PA6T(UL94V-0),Black
- ⚠ Contact:Phosphor Bronze,Gold Flash Over Nickel
- RoHS Compliant



Recommended P.C.B. Layout (Top View)
(PCB Board Tolerance ±0.05)



4UCON 元化興業股份有限公司
4UCON TECHNOLOGY INC.

DRAWING No.		APPROVED BY		UNLESS OTHERWISE SPECIFIED TOLERANCES ARE X. ±0.25 X.* ±2" .X ±0.20 .X* ±1.5" .XX ±0.15 .XX* ±1" .XXX ±0.10 .XXX* ±0.5"	
00729		MEI			
		CHECKED BY HZF			
DRAWING BY CYP		A2			
SCALE	NONE	REV.	A2	UNIT	mm

NO.	REV.	REVISIONS	CHK	DATE
⚠	A2	Modify Data	HZF	08/13/2019
⚠	A1	Modify Data	HZF	04/21/2015
⚠	A0	NEW RELEASE	HZF	07/03/2013