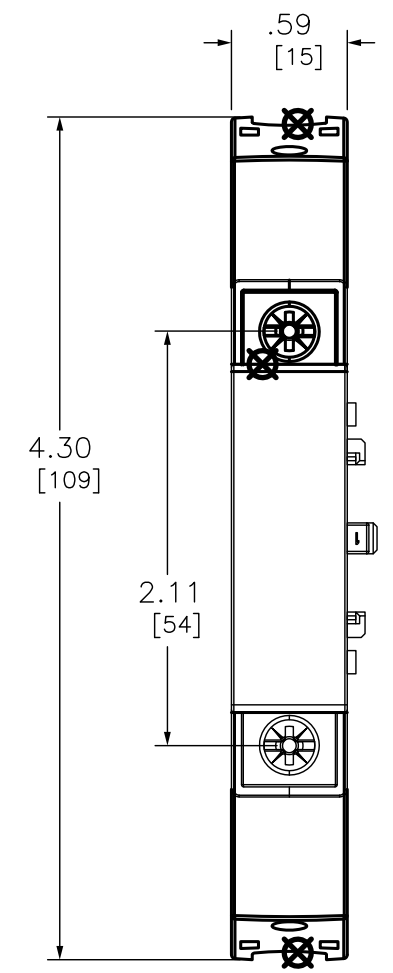
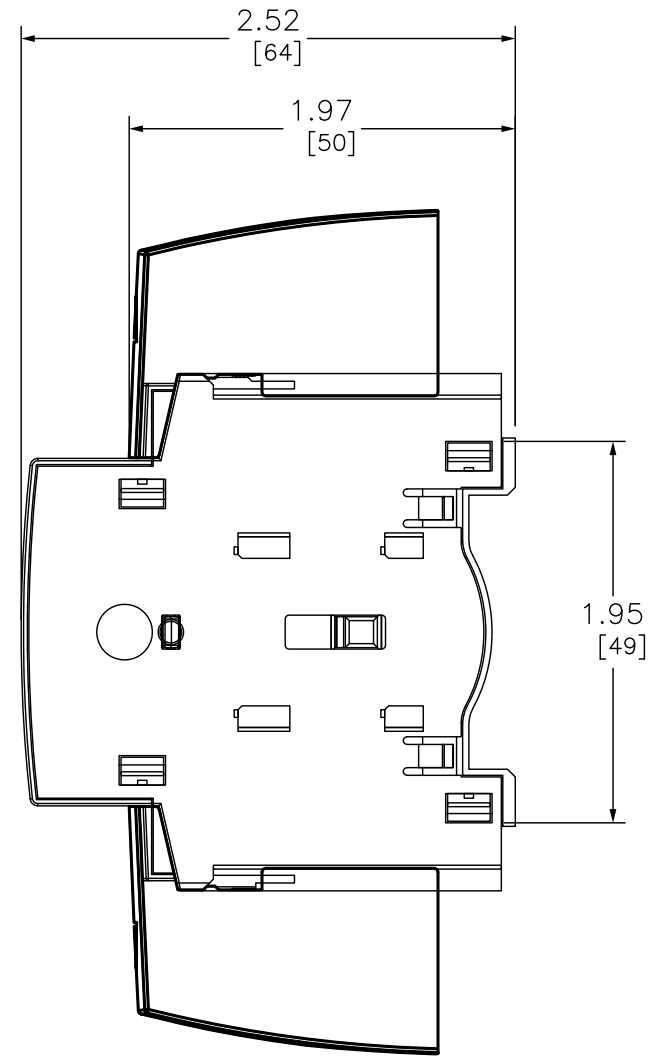
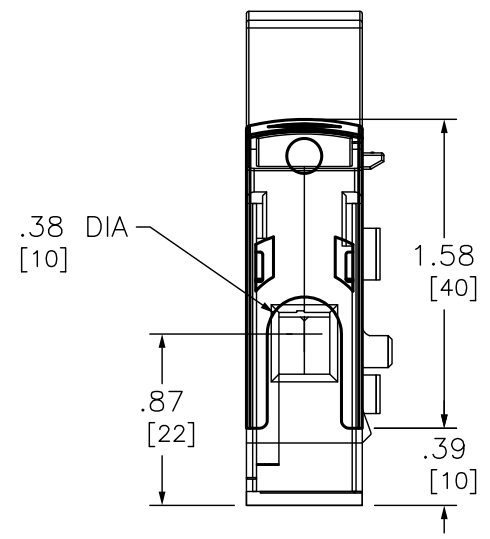


REP	NAME/NOM	CODE	NO PLAN?/N° DE PLAN	QTY/QTÉ
1	TERMINAL COVER/CACHE BORNES	22941005	/	2
2	MODULE SIRCO M 1X 16A	2200100	/	1



DUAL DIMENSIONS: INCHES
MILLIMETERS

SWITCH MOTOR DISCONNECT POWER POLE 30A
(MECHANISM, OPERATING, DOOR MOUNTED, TYPE V)

SQUARE D[™]
by Schneider Electric

DWG# MDS30P
NO.