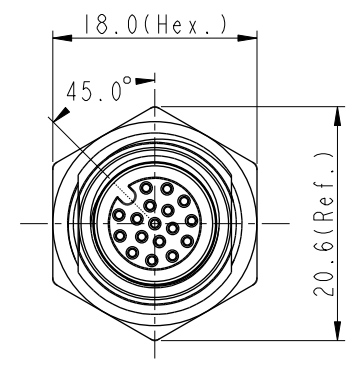
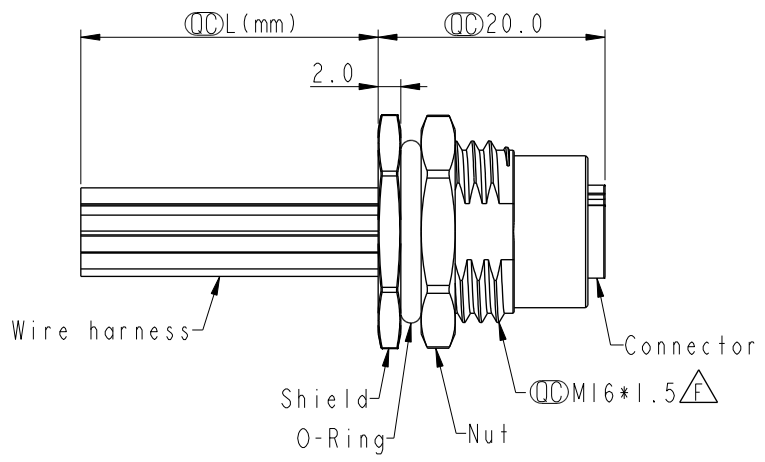
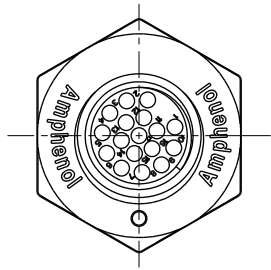
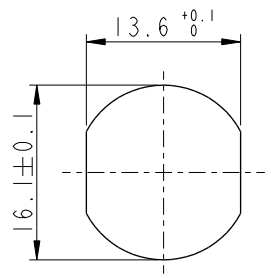


THIS DOCUMENT IS SUBJECT TO CHANGE WITHOUT NOTICE. IT IS CONFIDENTIAL AND A PROPERTY OF Amphenol LTW. DISCLOSURE TO THIRD PARTY HAS TO BE AUTHORIZED BY Amphenol LTW.

REV.	ECN NO.	DATE	SIGN	DESCRIPTION
E	BOMR19100207	2019/10/29	Peng	Add 17Pin
F	C201603	2020/10/22	Ruru	$\triangle F$ X8
G	C210239	2021/04/06	Ruru	$\triangle G$ X4



- Note: $\triangle C \triangle D \triangle F \triangle G$
- * RoHS Compliant
 - * $\text{\textcircled{L}}$ Important dimension
 - * Waterproof rate: IPX8, unmated 1m/24h
IPX9K, unmated
 - * Connector
 - Housing: Thermoplastic, Black
 - Pin: Copper alloy, Gold plated
 - O-Ring: Rubber, Green
 - * Shield: Metal
 - * Nut: Metal
 - * O-Ring: Rubber, Black
 - * Wire harness: UL1061
 - * For panel thickness max: 4.5mm
 - * O-Ring and nut are assembled on connectors
 - * Wire harness tolerance:
 - 100mm < L ≤ 300mm: ±15mm
 - 300mm < L ≤ 1000mm: ±20mm
 - 1000mm < L ≤ 1500mm: ±50mm



Recommended Panel Cut-Out

UNIT: mm		
TOLERANCE		
.X	±0.25	
.XX	±0.1	
.XXX	±0.05	
ANGLES	±1°	

TITLE N SEN, M12 A, SCREW RECEPTACLE, F, F, FI/PANEL CRIMP $\triangle G$			
SCALE 3:2	SIZE A4	SHEET 1 OF 2	
REV. G	WC-REV. A.3	$\text{\textcircled{L}}$: Inspection item	

Amphenol LTW
安費諾亮泰企業股份有限公司

ITEM NO.	DRAWN BY Ruru	DATE 2019-09-19
DWG NO. $\triangle F$ M12A-XXPFCC-SF8CXX	CHECKED BY Rita	DATE 2019-09-19
CUSTOMER ALTW	APPROVED BY Max	DATE 2019-09-19

THIS DOCUMENT IS SUBJECT TO CHANGE WITHOUT NOTICE. IT IS CONFIDENTIAL AND A PROPERTY OF Amphenol LTW. DISCLOSURE TO THIRD PARTY HAS TO BE AUTHORIZED BY Amphenol LTW.

E F	17P	26	M12A-17PFFC-SF8CXX
	5P	22	M12A-05PFFC-SF8CXX
	4P		M12A-04PFFC-SF8CXX
	3P		M12A-03PFFC-SF8CXX
Contacts	AWG	Item No.	


 M12A-XXPFFC-SF8CXX

XX: No. Of Pin

10: 100mm
 15: 150mm
 20: 200mm
 ↓
 95: 950mm
 Cable Pitch Unit=50mm

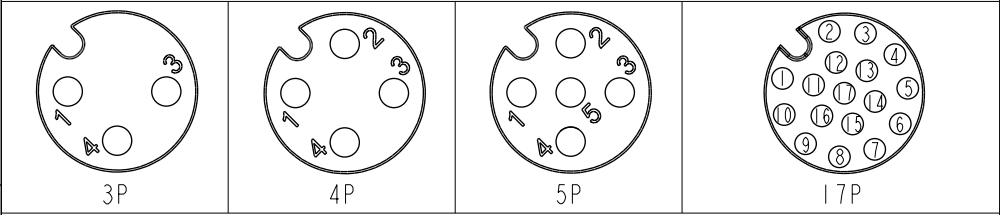
A0: 1000mm
 ↓
 A5: 1500mm
 Cable Pitch Unit=100mm
 Wire Length (L): 150~1500 mm






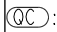
5	--	5	--	5	Gray	灰	17	White/Gray	白/灰
4	Black	4	Black	4	Black	黑	16	Yellow/Brown	黃/棕
3	Blue	3	Blue	3	Blue	藍	15	White/Yellow	白/黃
2	--	2	White	2	White	白	14	Brown/Green	棕/綠
1	Brown	1	Brown	1	Brown	棕	13	White/Green	白/綠
							12	Red/Blue	紅/藍
							11	Gray/Pink	灰/粉
							10	Violet	紫
							9	Red	紅
							8	Gray	灰
							7	Black	黑
							6	Yellow	黃
							5	Pink	粉
							4	Green	綠
							3	White	白
							2	Blue	藍
							1	Brown	棕

Pin # Wire Pin # Wire Pin # Wire Pin # Wire


Pin Out



Pin Assignments Front View

UNIT: mm			TITLE N SEN, M12 A, SCREW RECEPTACLE, F, F, FI/PANEL CRIMP 
TOLERANCE .X ±0.25 .XX ±0.1 .XXX ±0.05 ANGLES ±1°	SCALE 3:2 SIZE A4 SHEET 2 OF 2		REV. G WC-REV. A.3  : Inspection item

Amphenol LTW
 安費諾亮泰企業股份有限公司

ITEM NO	DRAWN BY	DATE
	Ruru	2019-09-19
DWG NO  M12A-XXPFFC-SF8CXX	CHECKED BY	DATE
	Rita	2019-09-19
CUSTOMER	APPROVED BY	DATE
ALTW	Max	2019-09-19