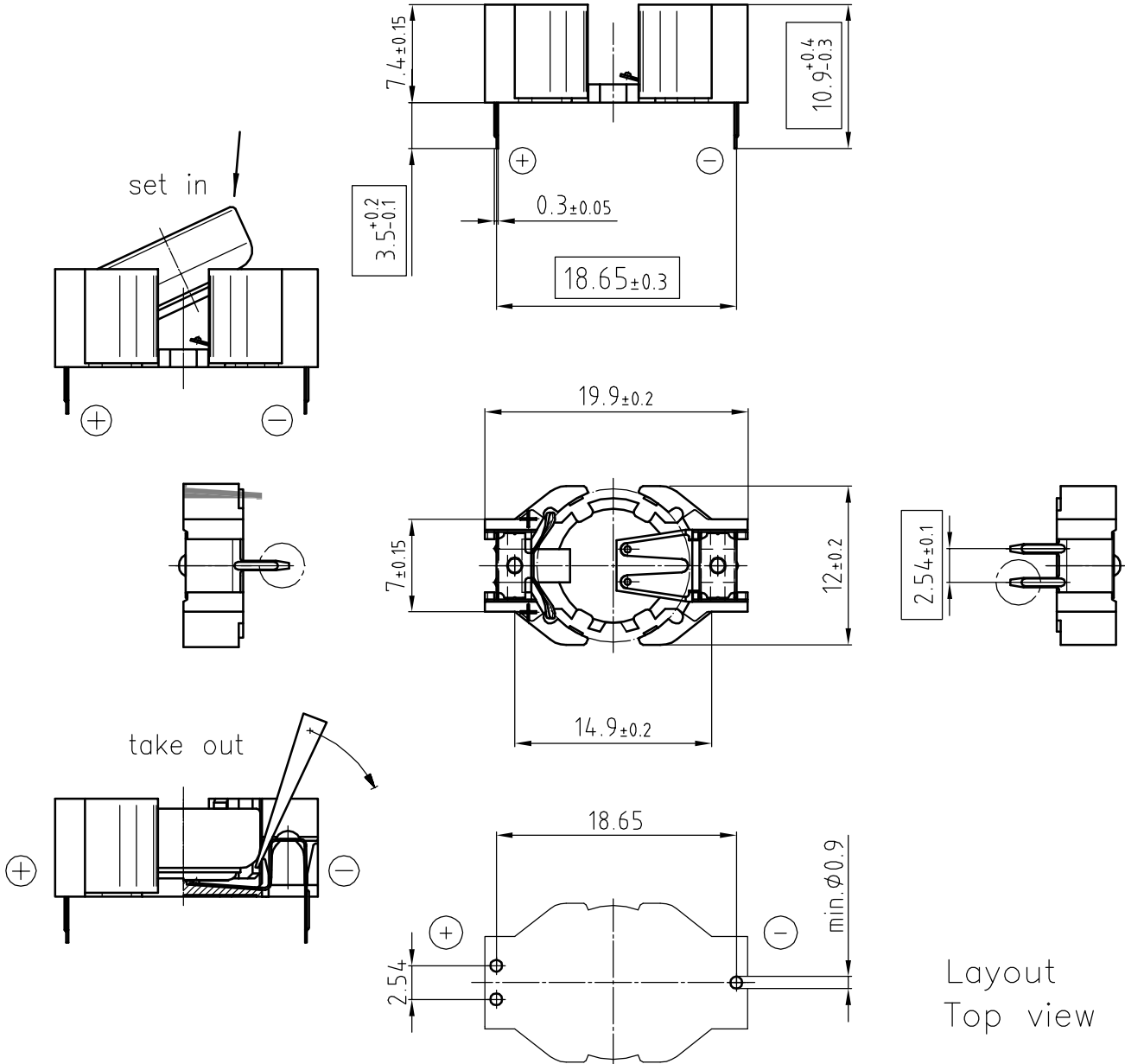


- Samples can deviate in the execution from the serie.



- Dimensions and tolerances can be specified only after the testing of the devices for the mass production definitely

All dimensions in mm
 Holder material : heat resistant, glass-fiber reinforced LCP
 Battery contacts : spring stainless steel 301 nickel plated throughout
 Solder contacts : spring stainless steel 301 solder area tin-plated throughout, min. thickness 5um

All framed values will be used for dimension checking !

The Products of Renata SA are neither designed nor authorized for use in certain areas of application of environment.
 For further details we refer to our webpage www.renata.com/downloads/restriction_of_use

Rev.	①	02.11.07	SRi	Rev.	○			Customer's Approval		
Rev.	②	20.09.10	Wu Ping	Rev.	○			Date		
Rev.	③	27.08.19	PWu	Rev.	○			Signature		
Title:							Scale	Drawn	01.12.05	SRi
<h1>HU357-LF</h1>								Checked		
								Approved		