

COMPLIANT TAIL SIZE	"C"	"D"	"E"
-1: .0177"	0.36 [0.014]	0.450 [0.0177]	0.75 [0.030]
-2: .0217"	0.45 [0.018]	0.550 [0.0217]	0.85 [0.033]

SIDE WALL OPTIONS	COLUMNS	"A"	"B"
-0: OPEN WALL	-04	7.06 [0.278]	0.55 [0.022]
	-06	10.66 [0.420]	0.55 [0.022]
	-08	14.26 [0.561]	0.55 [0.022]
-1: LEFT WALL	-04	8.20 [0.323]	1.69 [0.067]
	-06	11.80 [0.465]	1.69 [0.067]
	-08	15.40 [0.606]	1.69 [0.067]
-2: RIGHT WALL	-04	8.06 [0.317]	0.55 [0.022]
	-06	11.66 [0.459]	0.55 [0.022]
	-08	15.26 [0.601]	0.55 [0.022]
-4: LEFT POLARIZING	-04	13.54 [0.533]	7.04 [0.277]
	-06	17.14 [0.675]	7.04 [0.277]
	-08	20.74 [0.817]	7.04 [0.277]
-5: RIGHT POLARIZING	-04	13.05 [0.514]	0.55 [0.022]
	-06	16.65 [0.656]	0.55 [0.022]
	-08	20.25 [0.797]	0.55 [0.022]

TABLE 2

TIN (IMMERSION)	Cu	0.025-0.050 [0.0010-.0020]
	Sn	0.001-0.002 [0.00004-.00008]

NOTES:

1. CONNECTOR ENVELOPE DIMENSION. OTHER COMPONENTS PLACED ON PCB SHALL AVOID THIS ZONE.
2. COPPER PLATING THICKNESS MAY NOT VARY BY MORE THAN 0.02[0.001] WITHIN ANY VIA.
3. CONTACT SAMTEC FOR CONNECTOR PRESS FIT INSTRUCTIONS AND REQUIRED FIXTURES.
4. 1.10[.043] MIN BOARD THICKNESS.
5. OPTIONAL HOLE/MOUNTING SCREW LOCATION FOR GROUNDED PIN OR ADDITIONAL GUIDE PIN SUPPORT ONLY APPLIES FOR MACHINED GUIDE PIN APPLICATIONS.
6. USE KEEPOUT AREA FOR CONNECTOR REPAIR.

PROPRIETARY NOTE
THIS DOCUMENT CONTAINS CONFIDENTIAL AND PROPRIETARY INFORMATION AND ALL DESIGN, MANUFACTURING, REPRODUCTION, USE, PATENT RIGHTS AND SALES RIGHTS ARE EXPRESSLY RESERVED BY SAMTEC, INC. THIS DOCUMENT SHALL NOT BE DISCLOSED, IN WHOLE OR PART, TO ANY UNAUTHORIZED PERSON OR ENTITY NOR REPRODUCED, TRANSFERRED OR INCORPORATED IN ANY OTHER PROJECT IN ANY MANNER WITHOUT THE EXPRESS WRITTEN CONSENT OF SAMTEC, INC.



520 PARK EAST BLVD, NEW ALBANY, IN 47150
PHONE: 812-944-6733 FAX: 812-948-5047
e-Mail info@SAMTEC.com code 55322

DO NOT SCALE DRAWING
SHEET SCALE: 5:1

DESCRIPTION:
HDTM-VT 3 PAIR FOOTPRINT
DWG. NO.
HDTM-3-XX-X-X-VT-X-X-X-X-X-FOOTPRINT
BY: KNOWLDEN 12/27/2016 SHEET 1 OF 5

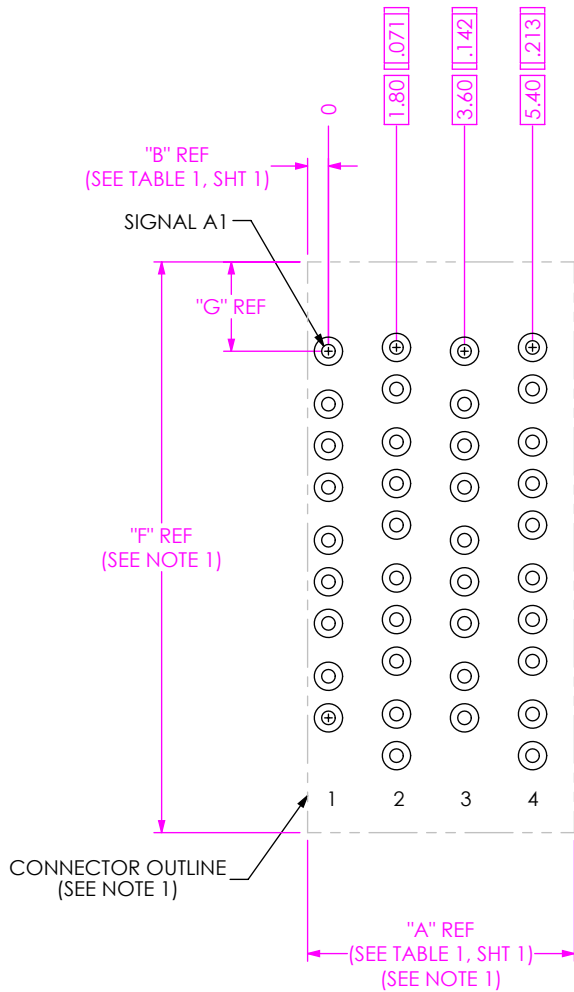


FIG 2
(HDTM-3-04-X-X-VT-X-X FOOTPRINT SHOWN)
(SAME AS FIG 1, EXCEPT AS SHOW)

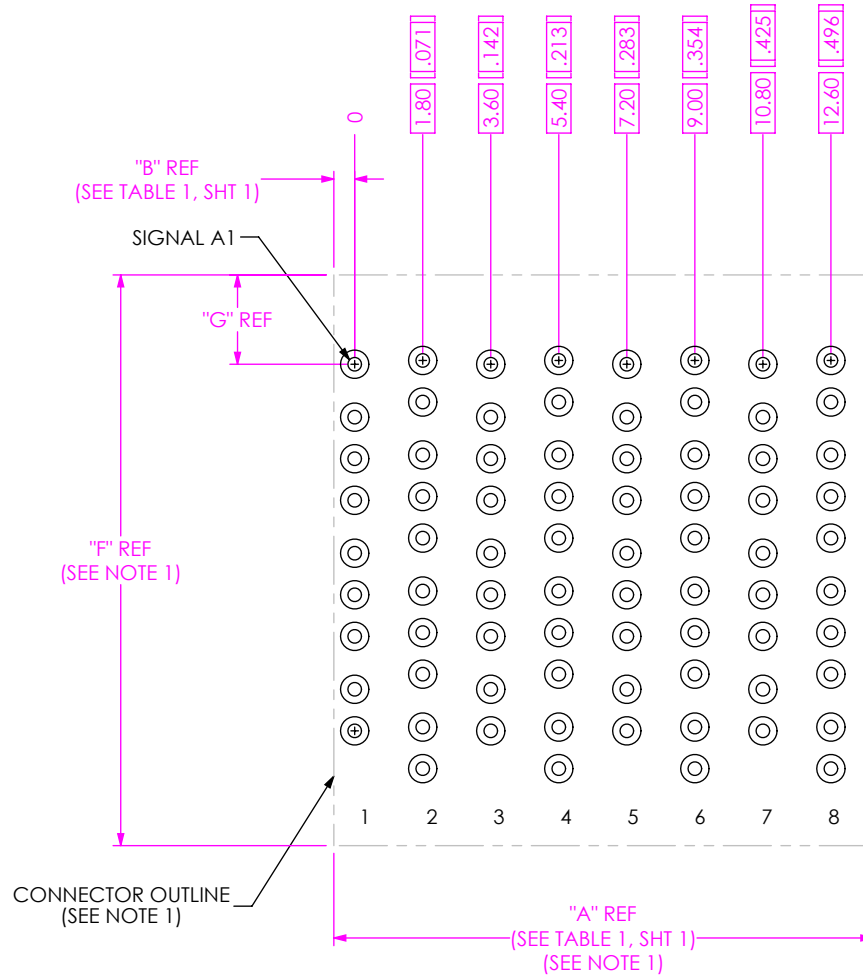


FIG 3
(HDTM-3-08-X-X-VT-X-X FOOTPRINT SHOWN)
(SAME AS FIG 1, EXCEPT AS SHOW)

TABLE 4		
END WALL OPTION	"F"	"G"
-BLANK: STANDARD	15.10 [0.594]	2.36 [0.093]

PROPRIETARY NOTE
THIS DOCUMENT CONTAINS CONFIDENTIAL AND PROPRIETARY INFORMATION AND ALL DESIGN, MANUFACTURING, REPRODUCTION, USE, PATENT RIGHTS AND SALES RIGHTS ARE EXPRESSLY RESERVED BY SAMTEC, INC. THIS DOCUMENT SHALL NOT BE DISCLOSED, IN WHOLE OR PART, TO ANY UNAUTHORIZED PERSON OR ENTITY NOR REPRODUCED, TRANSFERRED OR INCORPORATED IN ANY OTHER PROJECT IN ANY MANNER WITHOUT THE EXPRESS WRITTEN CONSENT OF SAMTEC, INC.



520 PARK EAST BLVD, NEW ALBANY, IN 47150
PHONE: 812-944-6733 FAX: 812-948-5047
e-Mail: info@SAMTEC.com code 55322

DO NOT SCALE DRAWING

SHEET SCALE: 5:1

DESCRIPTION:
HDTM-VT 3 PAIR FOOTPRINT
DWG. NO.
HD TM-3-XX-X-X-VT-X-X-X-X-X-FOOTPRINT
BY: KNOWLDEN 12/27/2016 SHEET 2 OF 5

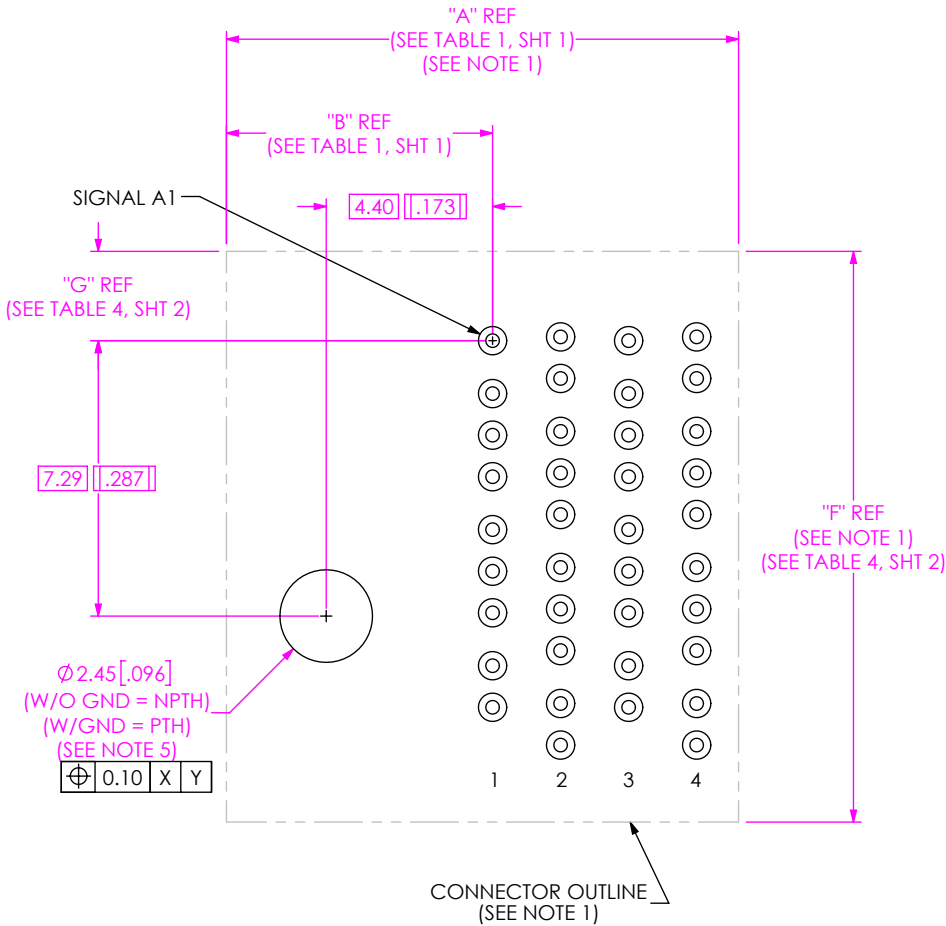


FIG 4
(HDTM-3-04-X-X-VT-4-L-X FOOTPRINT SHOWN)
(LEFT POLARIZATION VERSION)
(SAME AS FIG 1, EXCEPT AS SHOWN)

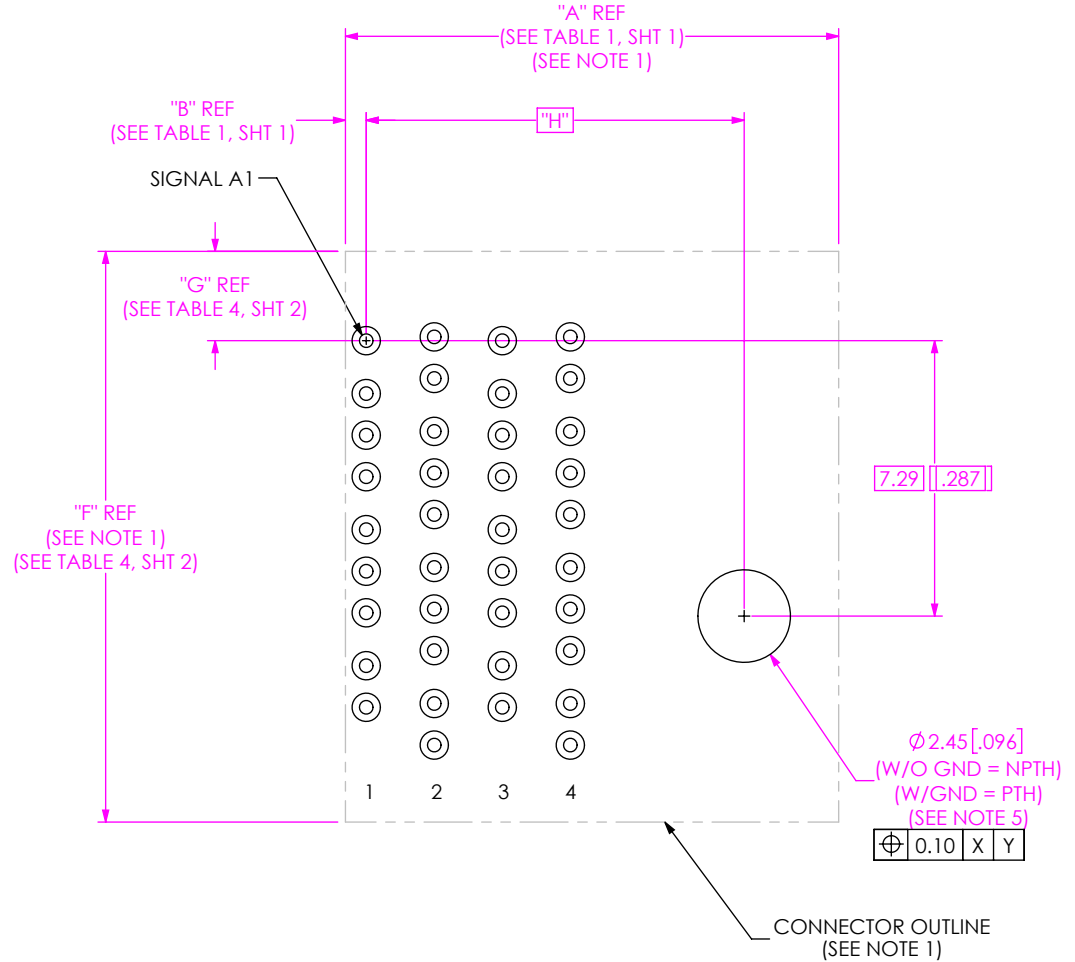


FIG 5
(HDTM-3-04-X-X-VT-5-R-X FOOTPRINT SHOWN)
(RIGHT POLARIZATION VERSION)
(SAME AS FIG 1, EXCEPT AS SHOWN)

COLUMNS	"H"
-04	10.00 [.394]
-06	13.60 [.535]
-08	17.20 [.677]

PROPRIETARY NOTE
THIS DOCUMENT CONTAINS CONFIDENTIAL AND PROPRIETARY INFORMATION AND ALL DESIGN, MANUFACTURING, REPRODUCTION, USE, PATENT RIGHTS AND SALES RIGHTS ARE EXPRESSLY RESERVED BY SAMTEC, INC. THIS DOCUMENT SHALL NOT BE DISCLOSED, IN WHOLE OR PART, TO ANY UNAUTHORIZED PERSON OR ENTITY NOR REPRODUCED, TRANSFERRED OR INCORPORATED IN ANY OTHER PROJECT IN ANY MANNER WITHOUT THE EXPRESS WRITTEN CONSENT OF SAMTEC, INC.

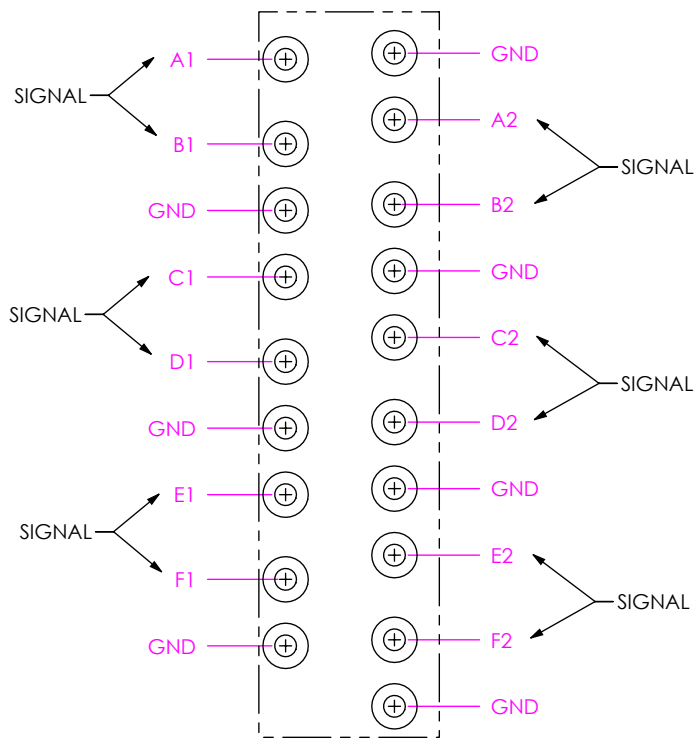


520 PARK EAST BLVD, NEW ALBANY, IN 47150
PHONE: 812-944-6733 FAX: 812-948-5047
e-Mail: info@SAMTEC.com code 55322

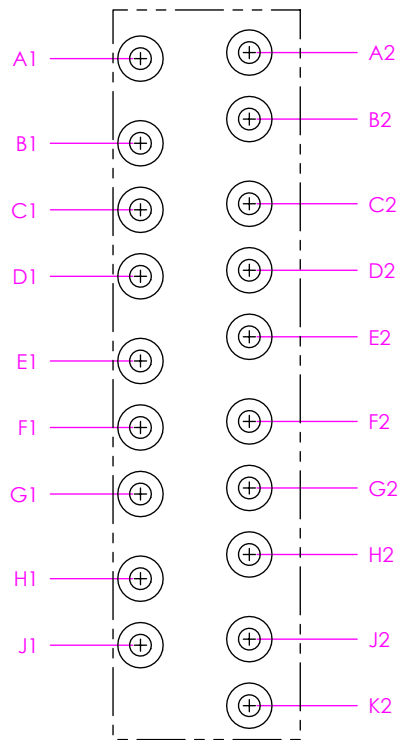
DO NOT SCALE DRAWING

SHEET SCALE: 5:1

DESCRIPTION:
HDTM-VT 3 PAIR FOOTPRINT
DWG. NO.
HDTM-3-XX-X-X-VT-X-X-X-X-X-FOOTPRINT
BY: KNOWLDEN 12/27/2016 SHEET 3 OF 5



DETAIL 'A'
SCALE 8 : 1
(-HS PINOUT)



DETAIL 'A'
SCALE 10 : 1
(-LC PINOUT)

PROPRIETARY NOTE
 THIS DOCUMENT CONTAINS CONFIDENTIAL AND PROPRIETARY INFORMATION AND ALL DESIGN, MANUFACTURING, REPRODUCTION, USE, PATENT RIGHTS AND SALES RIGHTS ARE EXPRESSLY RESERVED BY SAMTEC, INC. THIS DOCUMENT SHALL NOT BE DISCLOSED, IN WHOLE OR PART, TO ANY UNAUTHORIZED PERSON OR ENTITY NOR REPRODUCED, TRANSFERRED OR INCORPORATED IN ANY OTHER PROJECT IN ANY MANNER WITHOUT THE EXPRESS WRITTEN CONSENT OF SAMTEC, INC.



520 PARK EAST BLVD, NEW ALBANY, IN 47150
 PHONE: 812-944-6733 FAX: 812-948-5047
 e-Mail info@SAMTEC.com code 55322

DO NOT SCALE DRAWING

SHEET SCALE: 5:1

DESCRIPTION:
 HDTM-VT 3 PAIR FOOTPRINT

DWG. NO.
 HDTM-3-XX-X-X-VT-X-X-X-X-X-FOOTPRINT

BY: KNOWLDEN 12/27/2016 SHEET 4 OF 5

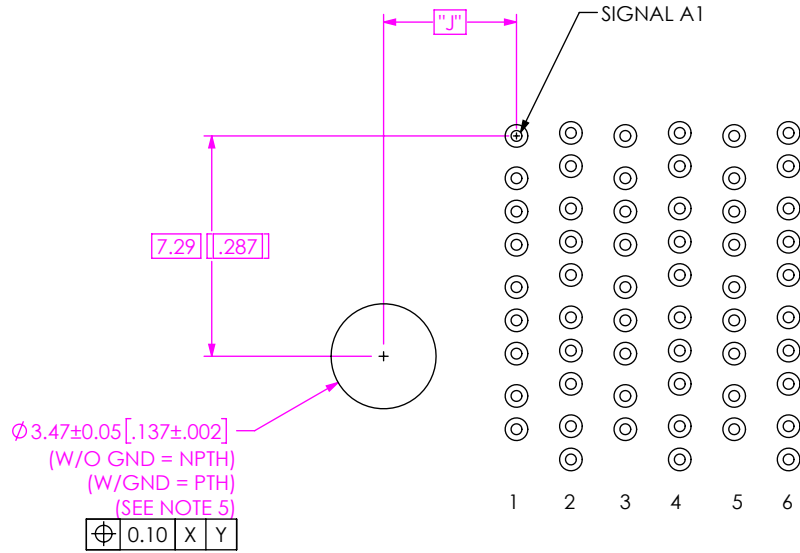


FIG 6
(STAND ALONE, LEFT PCB MOUNTED GUIDE PIN)
(SAME AS FIG 1, EXCEPT AS SHOWN)

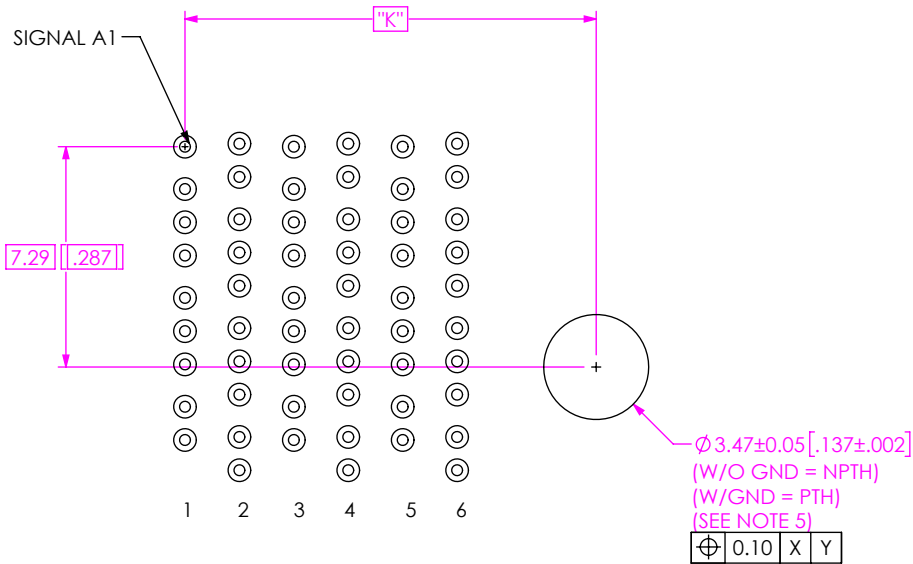


FIG 7
(STAND ALONE, RIGHT PCB MOUNTED GUIDE PIN)
(SAME AS FIG 1, EXCEPT AS SHOWN)

C

SIDE WALL OPTIONS	COLUMNS	"J"	"K"
-0: OPEN WALL	-04	4.40 [0.173]	10.00 [0.394]
	-06		13.60 [0.535]
	-08		17.20 [0.677]
-1: LEFT WALL	-04	6.20 [0.244]	10.00 [0.394]
	-06		13.60 [0.535]
	-08		17.20 [0.677]
-2: RIGHT WALL	-04	4.40 [0.173]	11.80 [0.465]
	-06		15.40 [0.606]
	-08		19.00 [0.748]
-4: LEFT POLARIZING	-04	N/A	N/A
	-06		N/A
	-08		N/A
-5: RIGHT POLARIZING	-04	N/A	N/A
	-06		N/A
	-08		N/A

PROPRIETARY NOTE
THIS DOCUMENT CONTAINS CONFIDENTIAL AND PROPRIETARY INFORMATION AND ALL DESIGN, MANUFACTURING, REPRODUCTION, USE, PATENT RIGHTS AND SALES RIGHTS ARE EXPRESSLY RESERVED BY SAMTEC, INC. THIS DOCUMENT SHALL NOT BE DISCLOSED, IN WHOLE OR PART, TO ANY UNAUTHORIZED PERSON OR ENTITY NOR REPRODUCED, TRANSFERRED OR INCORPORATED IN ANY OTHER PROJECT IN ANY MANNER WITHOUT THE EXPRESS WRITTEN CONSENT OF SAMTEC, INC.



520 PARK EAST BLVD, NEW ALBANY, IN 47150
PHONE: 812-944-6733 FAX: 812-948-5047
e-Mail info@SAMTEC.com code 55322

DO NOT SCALE DRAWING

SHEET SCALE: 5:1

DESCRIPTION:
HD TM-VT 3 PAIR FOOTPRINT

DWG. NO.
HD TM-3-XX-X-X-VT-X-X-X-X-X-FOOTPRINT

BY: KNOWLDEN 12/27/2016 SHEET 5 OF 5